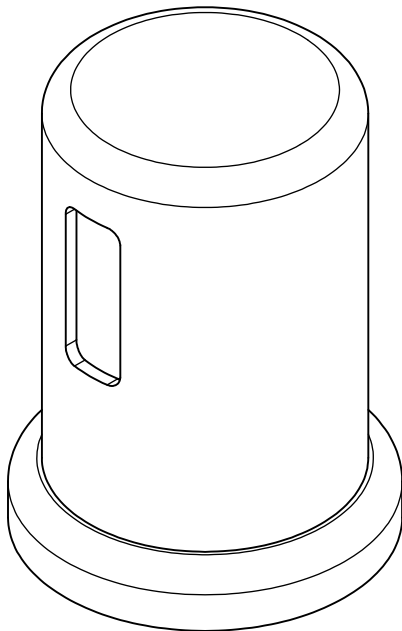
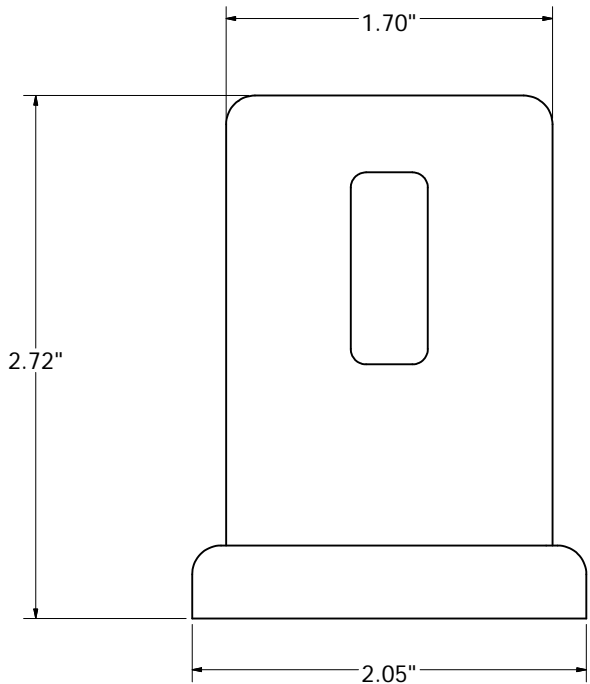
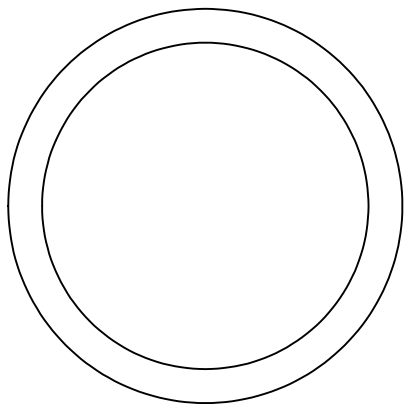


# DECORATIVE AIR GAP COVER



- MANUFACTURED OF CELCON WILL NOT CRACK, CHIP, OR PEEL
- REPLACES CHROME COVER ON MOST AIR GAPS
- BLISTER CARD PACKAGING



PHONE NUMBER  
**1-800-355-6637**  
 FAX NUMBER  
**1-800-462-6991**  
 SCALE 2 : 1      DATE 8-26-11  
 SHEET  
**1 OF 1**  
 DRAWN BY  
**ASHLEY KRALOVEC**

PART NO.	A10015	A10016	A10017	A10018	A10019	
FINISH	CHROME	GOLD	OIL RUBBED BRONZE	BRUSHED NICKEL	OLD WORLD BRONZE	