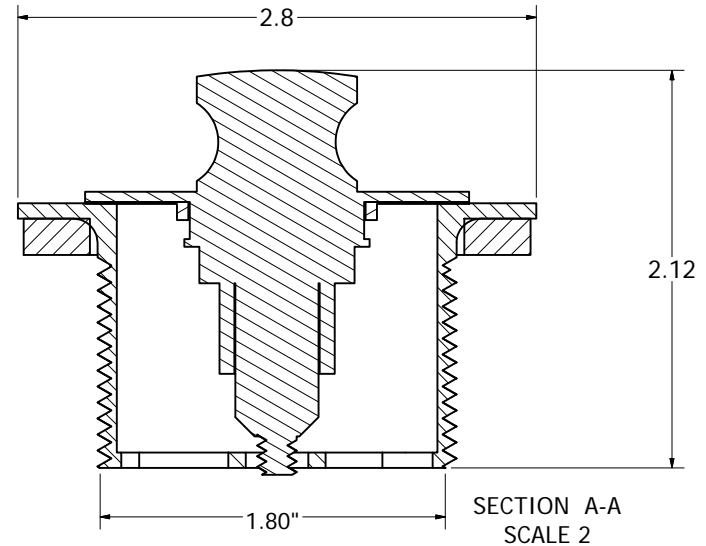
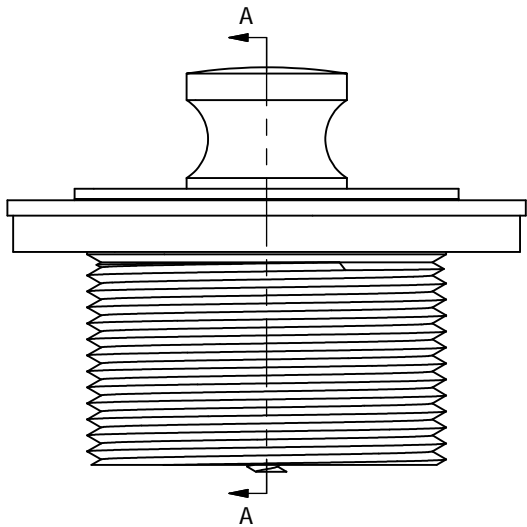
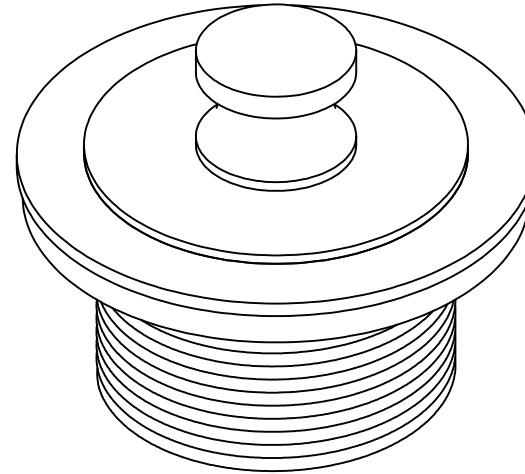
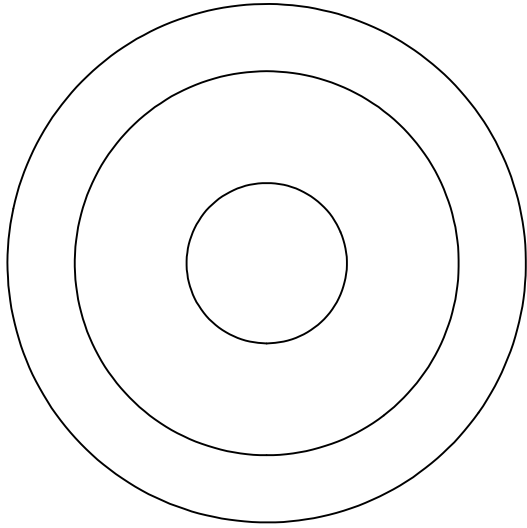


# FRICTION LIFT TUB DRAIN



PHONE NUMBER  
1-800-355-6637  
FAX NUMBER  
1-800-462-6991  
SCALE 2 : 1 DATE 8-25-11  
SHEET 1 OF 1  
DRAWN BY  
ASHLEY KRALOVEC

PART NO.	P35067	P3561AB	P3561AL	P3561AN	P3561BI	P3561BL
FINISH	CHROM PLATED	ANTIQU BRASS	ALMOND	ANTIQU NICKEL	BISCUIT	BLACK