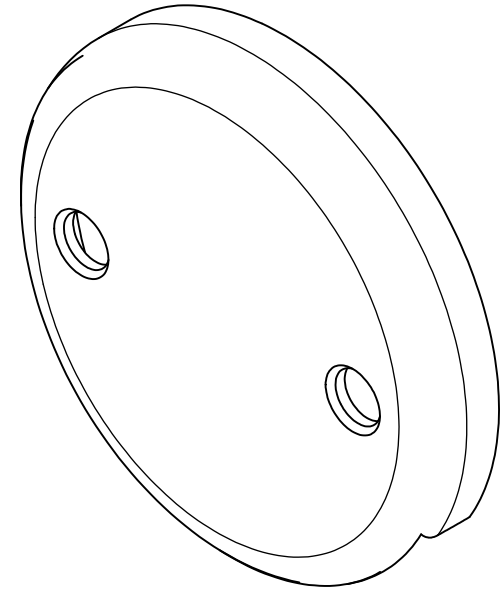
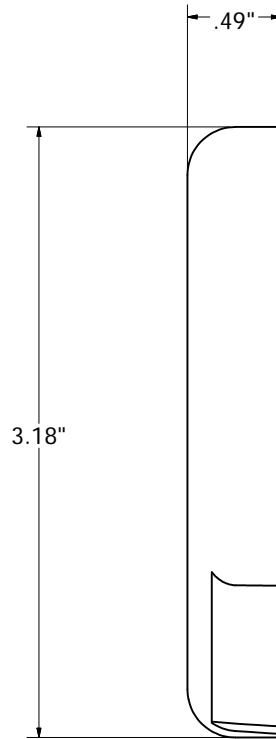
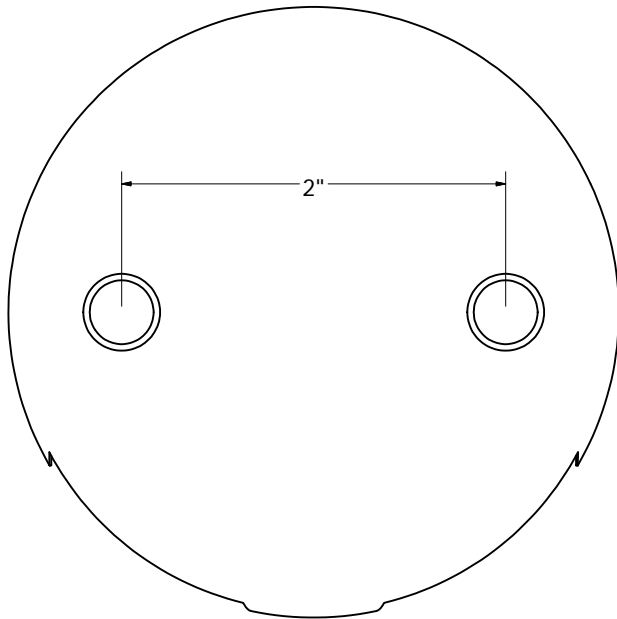


WASTE AND OVERFLOW FACEPLATE ONLY



PHONE NUMBER
1-800-355-6637
FAX NUMBER
1-800-462-6991
SCALE 2 : 1 DATE 8-26-11
SHEET 1 OF 1
DRAWN BY
ASHLEY KRALOVEC

PART NO.	T05011	P3565AB	P3565AL	P3565AN	P3565BI	P3565BL
FINISH	CHROME PLATED	ANTIQUE BRASS	ALMOND	ANTIQUE NICKEL	BISCUIT	BLACK