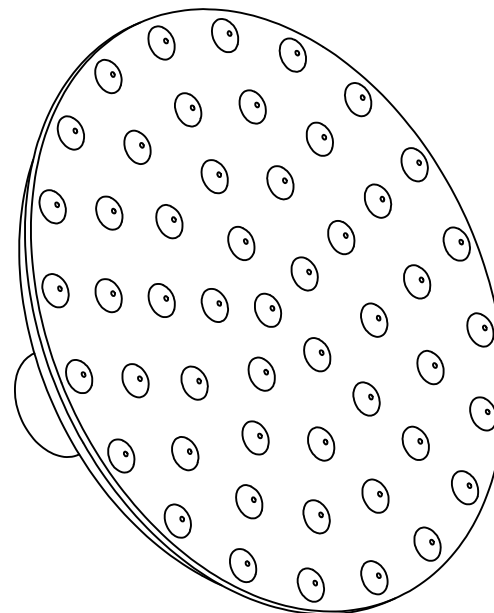
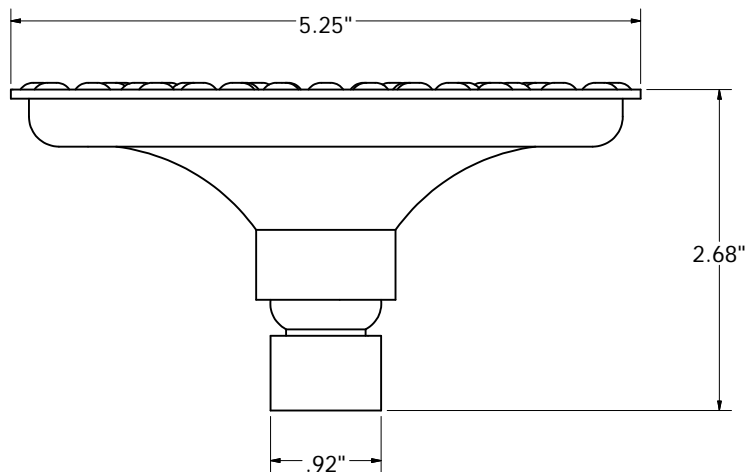
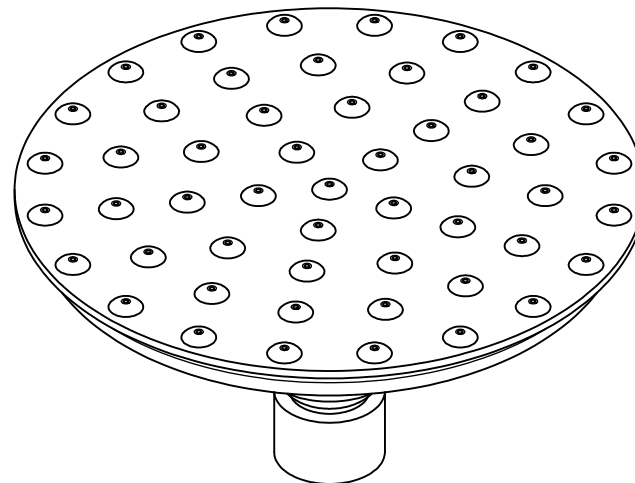
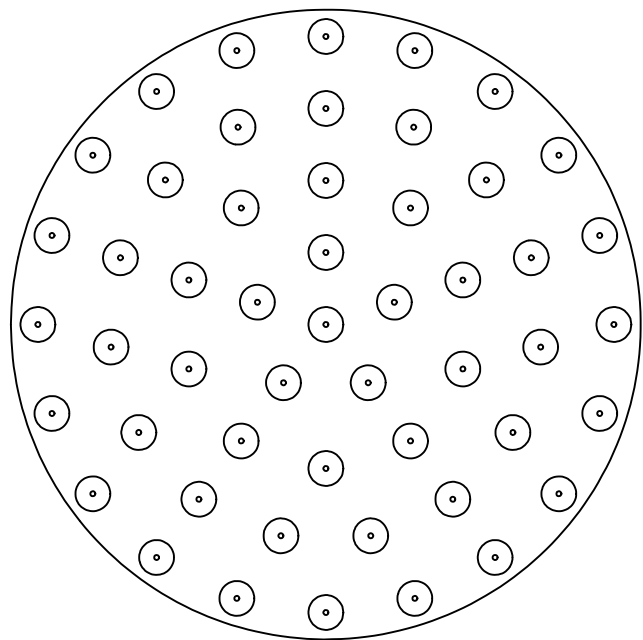


ROUND RAIN STYLE SHOWER HEAD W/DIMPLES DIAMETER 5"



PHONE NUMBER  
1-800-355-6637  
FAX NUMBER  
1-800-462-6991  
SCALE 1.25 : 1 DATE 8-25-11  
SHEET 1 OF 1  
DRAWN BY  
ASHLEY KRALOVEC

PART NO.	S01088	S1088BN	S0188RB	S0188WB		
FINISH	CHROME PLATED	BRUSHED NICKEL	OIL RUBBED BRONZE	OLD WORLD BRONZE		