

# UTILITY GRADE - Light Duty Plastic Toilet Seats

## Model No. U1005-00

Utility Grade - Light Duty Plastic, Round  
Closed Front with Cover and Check Hinge  
(White)



## Model No. U1006-00

Utility Grade - Light Duty Plastic, Elongated  
Closed Front with Cover and Check Hinge  
(White)



Seat shall be

### Model Number U1005-00

### Utility Grade - Light Duty Plastic Seat

Round Closed Front with Cover

### Model Number U1006-00

### Utility Grade - Light Duty Plastic Seat

Elongated Closed Front with Cover

### Category

RESIDENTIAL

### Features

- Injection molded durable polypropylene plastic with UV protection
- Molded in bumpers
- Corrosion proof nuts, bolts and washers
- Top mount design

### Seat Color/Finish

Specify white

### Hinge Color/Finish

Specify white

### Product Specifications

Hinge Design: Check hinge

Ring Height: 1/2"

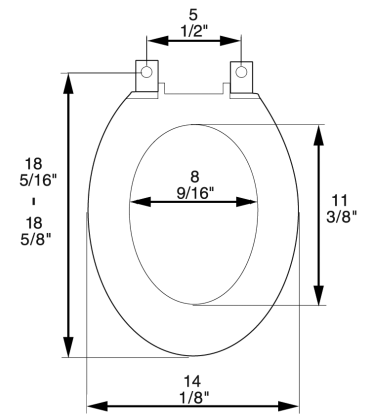
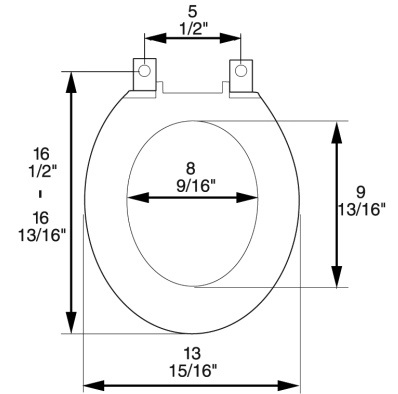
Ring Height with Bumper: 5/8"

Height of Seat with Cover: 1 1/2"

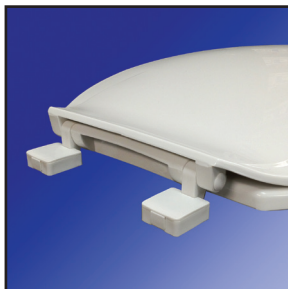
Size: ANSI Standard Toilet

### Additional Information

All seats feature UV protection.



Corrosion proof, self-aligning hardware



Check hinge design