

Seat shall be Comfort™ Seats

Model Number C1010

Plastic Toilet Seat

Round Closed Front with Cover

Category

RESIDENTIAL

Features

- Builder grade
- Injection molded durable polypropylene plastic with UV protection
- Molded in bumpers
- Matching adjustable hinge
- Corrosion proof POM nuts and bolts
- Rubberized non-skid pads
- Top mount design

Seat Color/Finish

Specify white, bone or biscuit

Hinge Color/Finish

Specify white, bone or biscuit

Product Specifications

Hinge Design: Factory-installed "living" hinge

Ring Thickness: 1/2"

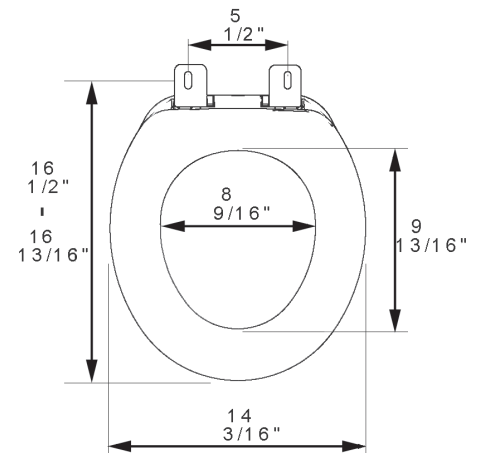
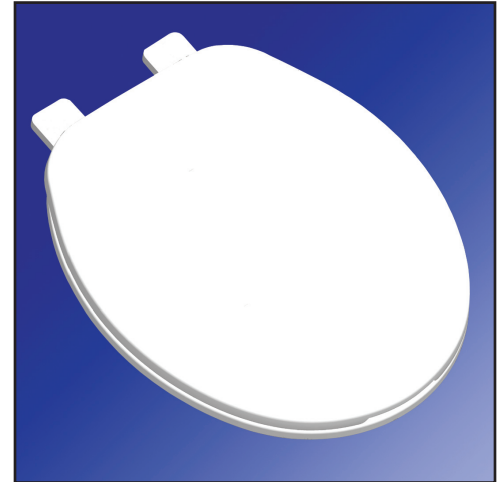
Ring Thickness with Bumper: 9/16"

Height of Seat with Cover: 1 15/16"

Size: ANSI Standard Toilet - Meets Z124.5 Section 5.1.2

Additional Information

All seats feature UV protection.



Corrosion proof, self-aligning hardware



Factory-installed "living" hinge covers