

Seat shall be Comfort™ Seats

Model Number C1042

Consumer Package Model # C3B3E3

Deluxe Plastic - Contemporary Design Toilet Seat

Elongated Closed Front with Cover

Category

RESIDENTIAL

Features

- Injection molded durable polypropylene plastic with UV protection
- Molded in bumpers
- Matching adjustable hinge
- Stainless steel pintel for durability
- Corrosion proof POM nuts, bolts and washers
- Rubberized non-skid pads
- Top mount design

Seat Color/Finish

Specify white, bone, biscuit and colors

Hinge Color/Finish

Specify white, bone, biscuit and colors

Product Specifications

Hinge Design: Color-matched hinge containing stainless steel pintels

Ring Thickness: 5/8"

Ring Thickness with Bumper: 1"

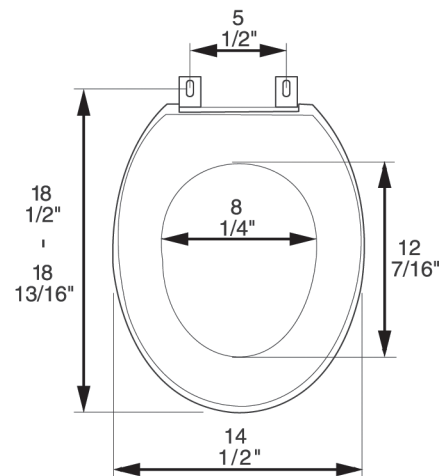
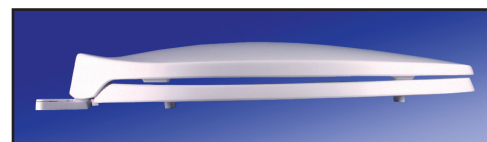
Height of Seat with Cover: 2"

Size: ANSI Standard Toilet - Meets Z124.5 Section 5.1.2

Additional Information

Stainless Steel (Model #C200-HPSS) or Metal (Model #C200-HPM) installation hardware for commercial/hospitality installations.

All seats feature UV protection.



Corrosion proof, self-aligning hardware



Factory-installed "living" hinge covers with stainless steel pintels