

Little GIANT®

OPWG-29/46



Features

- Thermally protected, enclosed, fan cooled, permanent split capacitor motor
- 8', 115V power cord (pre-wired for 115V operation)
- 2" FNPT intake and 1-1/2" FNPT discharge ports
- Motors are enclosed for excellent protection and weather resistance
- Low power consumption
- For larger systems, plumb two or more units in parallel to economically multiply the flow

Construction

- Volute — Corrosion-resistant thermoplastic
- Volute Cover — Corrosion-resistant thermoplastic
- Impeller — Glass-filled Noryl®
- Shaft Seal — Carbon/Ceramic



Cost-Saving Efficiency

The Little Giant Professional Series of pumps produce a maximum flow rate with minimal electrical consumption. The dollars saved from reduced operating costs can pay for the pump in a matter of months.

Safety

The Professional Series are end suction centrifugal pumps, designed to be located on the perimeter of the pond. This eliminates the need for wading into the pond to service the pump or pump intake filter. By locating the pump outside of the pond, you also greatly reduce the chance of electrical shock.

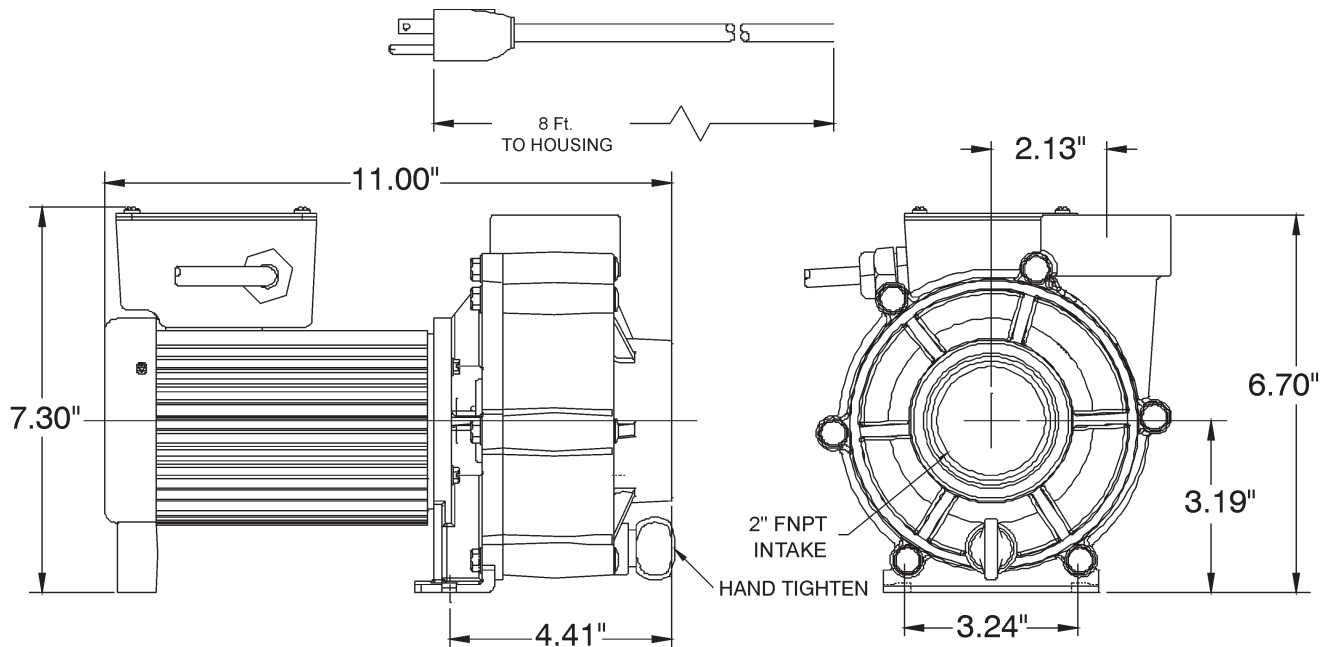
Reliability

The Professional Series was designed with the professional in mind. Built tough, the pump housings are injection-molded of corrosion-resistant thermoplastics, and are mounted to custom-built motors. Each Professional Series pump is thoroughly tested prior to shipment. When properly installed, your pump is designed to provide years of dependable, reliable service.

Quiet Operation

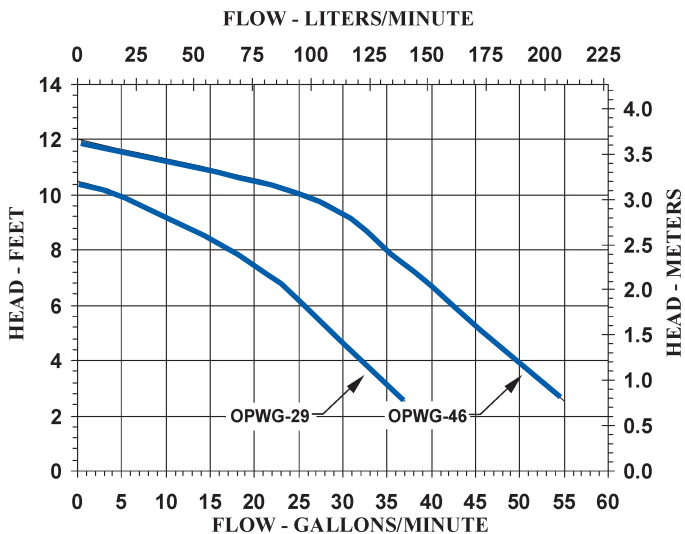
Install these pumps wherever you desire. The Professional Series was designed for water gardening, not industrial applications, generating noise levels equivalent to a small electrical fan at 52 dB.

OPWG-29/46



Specifications

Model No.	Item No.	Listings	Discharge Size	Intake Size	HP	Volts	Hertz	Amps	Watts	Performance (GPM @ Head)				Shut Off		Power Cord (ft.)	Weight (lbs.)	Height (in.)	Length (in.)	Width (in.)
										2.5'	5'	7.5'	10'	Feet	PSI					
OPWG-29	566020	UL/CSA	1-1/2" FNPT	2" FNPT	1/8	115	60	1.1/6	137	37	29	20	5	11	4.8	8	9.12	7.00	10.5	6.80
OPWG-46	566021	UL/CSA	1-1/2" FNPT	2" FNPT	1/8	115	60	1.3/8	174	55	46	37	26	12	5.2	8	9.14	7.00	10.5	6.80



Replacement Parts

166200	Impeller OPWG-29
166201	Impeller OPWG-46
166205	Bracket
166207	Volute
166209	Drain Plug with O-Ring
924041	O-Ring, Volute
926045	Seal Assembly, Ceramic/Carbon