

Little GIANT®

WRS-6

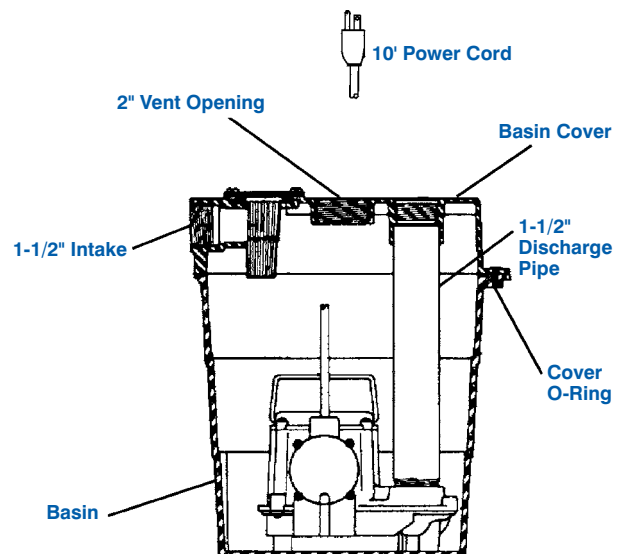


Features

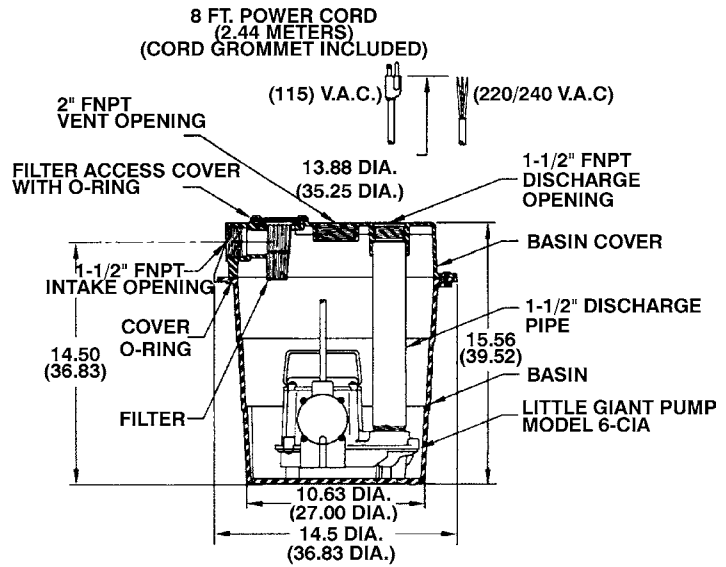
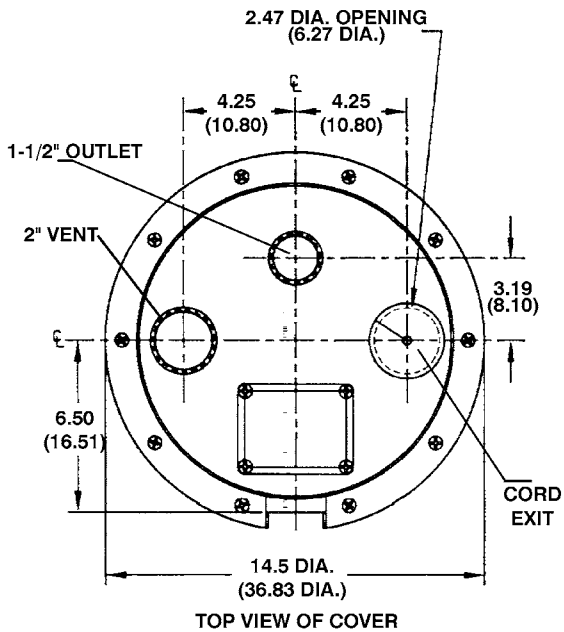
- Pump made of cast iron housing with protective epoxy coating for corrosion resistance
- Screened intake
- 1/3 HP motor with thermal overload protection
- Automatic diaphragm pressure switch enclosed in nylon housing with “on” level at 7”–10” and “off” level at 1”–4”
- Basin made of polypropylene, light weight, and corrosion resistant
- Basin designed with o-rings to provided a water tight seal
- Basin cover comes with a removable filter screen for easy cleaning
- Cover comes with 1-1/2” FNPT discharge, a 1-1/2” FNPT intake opening, and a 2” FNPT vent opening
- IAPMO listed basin
- Pre-assembled, ready to be installed



The “DRAINOSAUR” removes water from laundry trays, lavatory sinks, wet bar sinks, dehumidifiers, air conditioners (condensate), water softeners, etc. Installs above floor, no need to dig a sump. Unit is pre-assembled and ready to install.



WRS-6

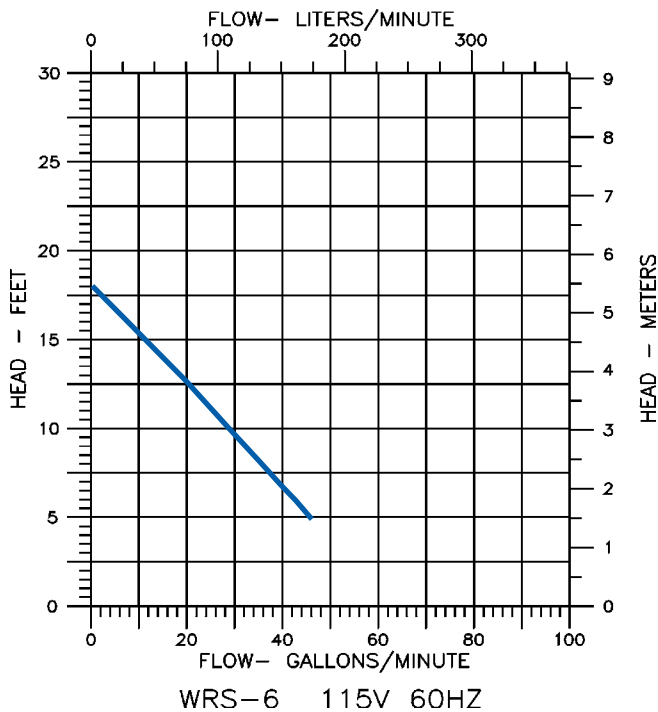


NOTE: () dimensions are centimeters

Specifications

| Model No. | Item No. | Discharge | Listing | HP | Volts | Hz. | Running Amps/Watts | Flow (GPM @ Head) | | | Shutoff Head (ft.) | Weight (lbs.) | Dimensions (H x L x W) (in.) |
|-----------|----------|-----------|--------------|-----|-------|-------|--------------------|-------------------|-----|-----|--------------------|---------------|------------------------------|
| | | | | | | | | 5' | 10' | 15' | | | |
| WRS-6 | 506055 | 1-1/2" | UL/CSA/IAPMO | 1/3 | 115 | 60 | 9/720 | 45 | 29 | 12 | 18' | 26 | 14.5 x 15.56 |
| WRS-6 | 506056 | 1-1/2" | UL/CSA/IAPMO | 1/3 | 230 | 50/60 | 4.5/720 | 45 | 29 | 12 | 18' | 27 | 14.5 x 15.56 |

UL/CSA listing for pump only



Pump Construction

| | |
|-----------------------|--|
| Motor Housing | Epoxy-coated Cast Iron |
| Impeller Material | Nylon |
| Impeller Type | Non-Clog |
| Volute | Polypropylene |
| Power Cord | 18/3 SJTW |
| Mechanical Shaft Seal | Nitrile w/Carbon & Ceramic Faces |
| Fasteners | Stainless Steel |
| Shaft | CRS |
| Bearings | Upper and Lower Sintered Sleeve Bearings |

Basin Construction

| | |
|----------------------|---------------------|
| Basin Cover | Polypropylene |
| Basin Fluid Capacity | 5 Gallons (approx.) |
| Discharge Size | 1-1/2" FNPT |
| Intake Size | 1-1/2" FNPT |
| Vent Size | 2" FNPT |