

Little GIANT®

VCL-45 SERIES



Features

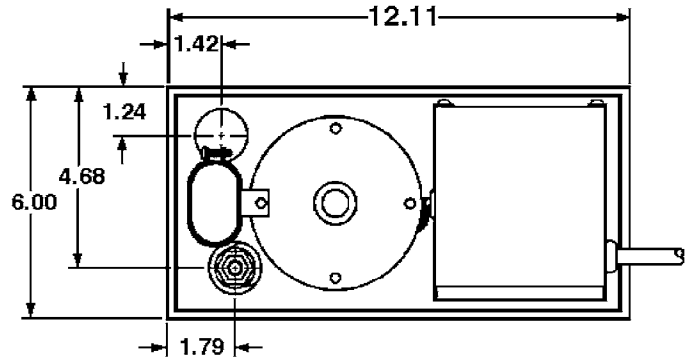
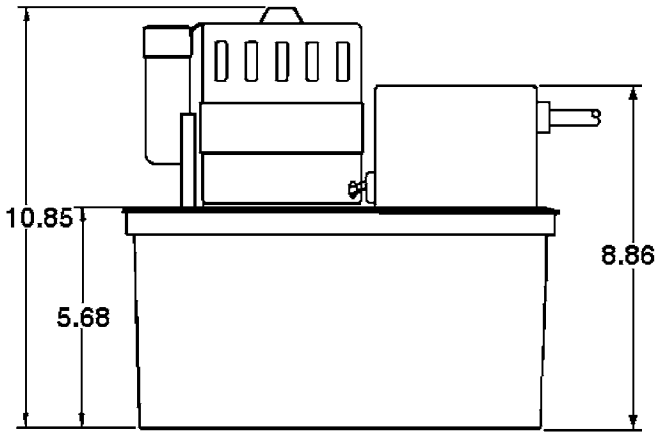
- Vertical type pump unit
- Leakproof, rustproof, ABS tank
- ABS switch cover and pump stand
- Galvanized steel tank cover
- Stainless steel motor shaft
- 3/8" O.D. copper tube discharge
- Safety switch included
- 45' shut-off head
- UL/CSA listed
- Thermal overload protected

Construction

- Motor — 1/5 HP
- Intermittent Liquid Temp. up to — 120°F
- Discharge — 3/8" O.D.
- Housing — N/A
- Cover — Galvanized steel
- Volute — ABS
- Impeller — Polypropylene
- Shaft Seal — N/A
- Screen — ABS

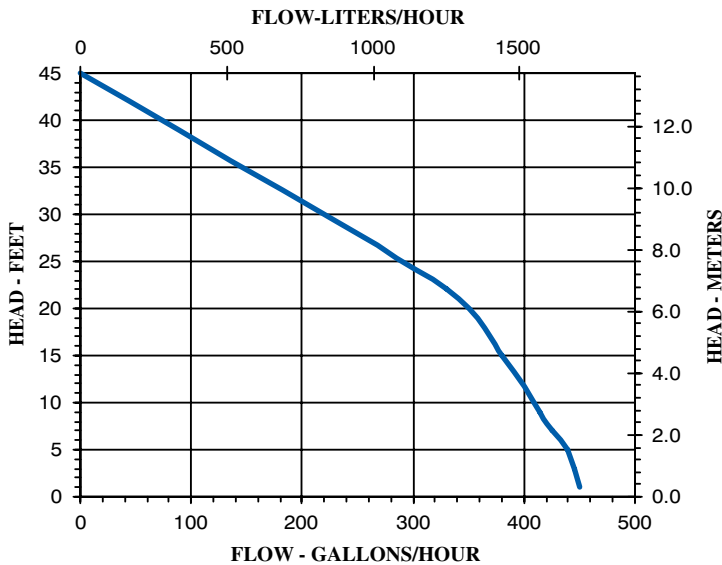
Large, 1 gallon, ABS plastic tank condensate unit. Pumps feature a vertical-type pump with stainless steel motor shaft and galvanized steel tank cover. Discharge is a 3/8" O.D. copper tube. Pump features a safety switch that can be connected to shut down the air conditioner condenser or wired to an alarm to warn of possible tank overflow. Pump is rated for high-efficiency gas furnace applications that produce an acidic condensate. Thermally protected motor is UL and CSA listed.

VCL-45 SERIES



Specifications

Model No.	Item No.	Discharge Size	Listing	HP	Volts	Hertz	Amps	Watts	Performance (GPH @ Head)					Shut Off		Pwr. Cord (ft.)	Weight (lbs.)
									1'	3'	5'	9'	15'	Feet	PSI		
VCL-45ULS	553240	3/8" OD Copper	UL/CSA	1/5	115	60	3.5	185	450	445	440	415	380	45	19.5	6	13.00
VCL-45ULS	553245	3/8" OD Copper	UL/CSA	1/5	230	50/60	1.0	250	450	445	440	415	380	45	19.5	6	14.00



Replacement Parts

Tank	153502
Cover, Tank	153225
Copper Tubing	938108
Adapter, Brass	941014
Float/Switch Assy	153537
Cover, Switch	153120
Safety Switch Assy	154713
Stand/Volute Assy	153516
Seal Ring	928025
Impeller	153520