

# Little GIANT<sup>®</sup>

## TE-5.5-MD-SC



### Features

- Thermally protected, totally enclosed, fan cooled, split phase motor
- Ball bearings
- Conduit box (must be field wired)
- Specific gravity to 1.1
- Fluid temperature to 150°F
- Ambient air temperature to 77°F

**NOTE:** Consult your local distributor or the factory for applications with higher ambient temperatures, specific gravities and viscosities.

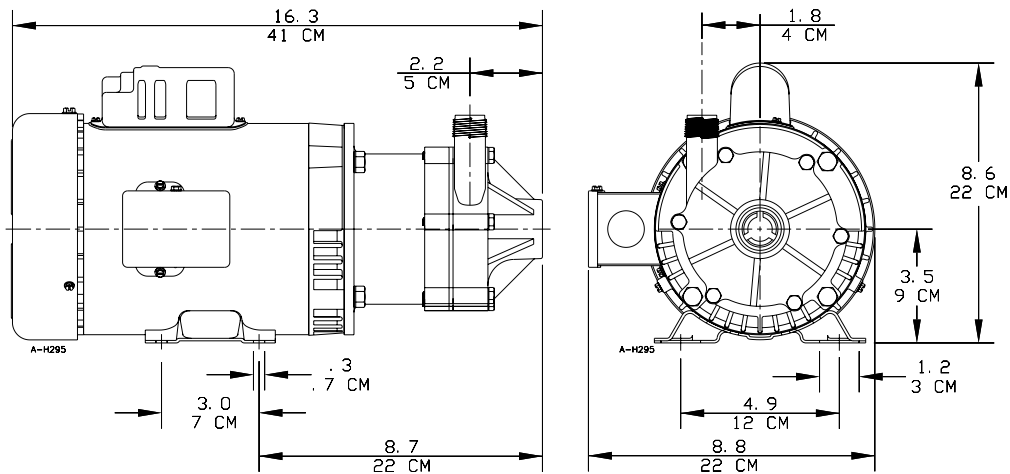
### Construction

- Volute — Glass-filled polypropylene
- Backplate — Glass-filled Ryton<sup>®</sup>
- Impeller — Glass-filled polypropylene with carbon bushing
- Shaft — Ceramic
- Thrust Washers — Ceramic
- O-Ring — Viton<sup>®</sup>

The Little Giant MD-SC series features leakproof, seal-less magnetic drives and are designed for in-line, non-submersible use. Volute and impeller are glass-filled polypropylene, and magnet housing is Ryton<sup>®</sup> for excellent chemical resistance. Ceramic shaft and thrust washers are 99.5% pure alumina for excellent wear and reliable service. Pumping heads are easily rotated, cleaned or serviced with no special tools required. Spindle shaft is supported at both ends to prevent impeller damage during start-up and stop of pump.

Ryton<sup>®</sup> is a registered trademark of Chevron Phillips Chemical Company  
 Viton<sup>®</sup> is a registered trademark of DuPont Performance Elastomers

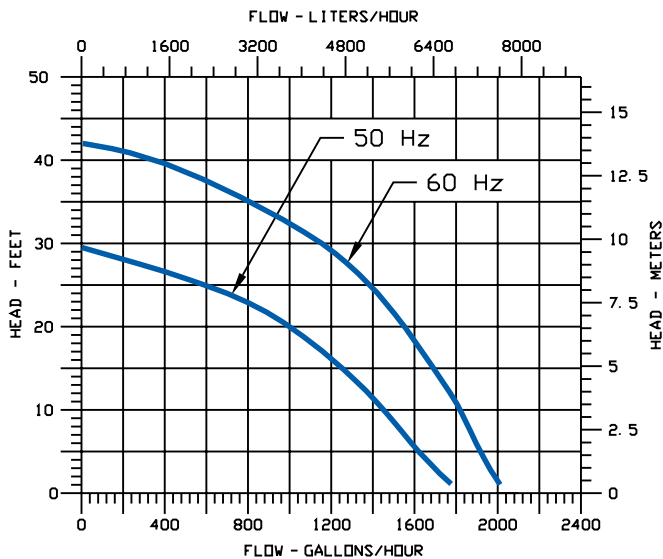
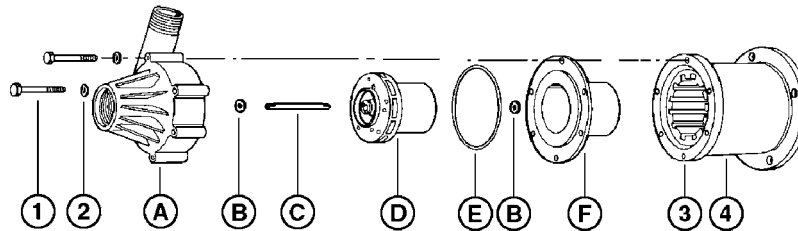
# TE-5.5-MD-SC



**NOTE:** Designs and dimensions may vary for various reasons (i.e. type of motor). This information should be used as general guide rather than an unqualified guarantee. Specifications are subject to change without prior notice.

## Specifications

Model No.	Item No.	Intake Size	Discharge Size	Listing(s)	HP	Volts	Hertz	Amps	Watts	Performance (GPH @ Head)				Shut Off		Power Cord (ft.)	Weight (lbs.)
										5'	10'	20'	30'	Feet	PSI		
TE-5.5-MD-SC	585504	1" FNPT	3/4" MNPT	UR/C-CSA	1/3	115	50/60	5.6/5.0	340/525	1900	1825	1550	1150	40.5	17.5	N/A	27.00
								230	50/60								
TE-5.5-MD-SC	585598	1" FNPT	3/4" MNPT														7.00



**PUMP PERFORMANCE CURVE**  
115/230 VOLTS

## Replacement Parts

ITEM	PART NO.	DESCRIPTION
A	185110	Volute, GF Polypropylene
B	187085	Thrust Washer, Ceramic
C	185100	Shaft, Ceramic
D	185128	Impeller, GF Polypro/Carbon
E	924016	O-Ring, Viton®
F	185181	Backplate, Ryton®
1	903712	Bolt
2	921050	Washer
3	185172	Drive Magnet
4	185162	Magnet Housing

**NOTE:** Parts A-F contact fluid