

# Little GIANT<sup>®</sup> Pump Company

---

## 3-MDX & 3X-MDX

---



### Features

Thermally Protected, Open, Fan-Cooled Motor  
Sleeve Bearings  
6' Power Cord with 3-Prong Plug  
(No plug on 230V)  
Specific Gravity to 1.1  
Fluid Temperature to 150 Degrees F.  
Ambient Air Temperature to 77 Degrees F.  
NOTE: Consult your local distributor or the  
factory for applications with higher ambient  
temperatures, specific gravities and viscosities.

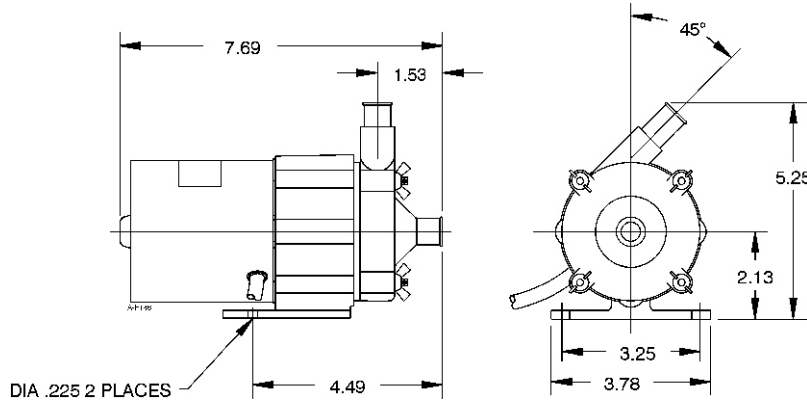
### Construction

Volute — Glass-filled Polypropylene  
Housing — Glass-filled Polypropylene  
Impeller — Glass-filled Polypropylene &  
Ceramagnet "A" (Barium Ferrite)  
Shaft — Titanium  
Thrust Washers — Titanium  
O-Ring — Nitrile

The Little Giant MD series features leakproof, seal-less magnetic drives and are designed for in-line, non submersible use. Volute and magnet housing are glass-filled polypropylene for excellent chemical resistance. Impeller is glass-filled polypropylene and Ceramagnet "A" (Barium Ferrite). Shaft and thrust washers are Titanium for excellent wear and trouble-free service. Pumping heads are easily rotated, cleaned or serviced with no special tools required. Spindle shaft is supported at both ends to prevent impeller damage during start-up and stop of pump.

# Little Giant Pump Co.

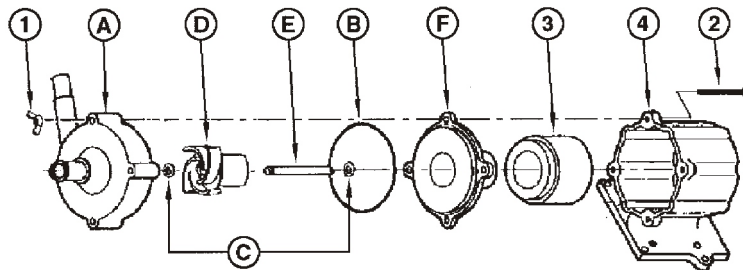
## 3-MDX & 3X-MDX



NOTE: Designs and dimensions may vary for various reasons (i.e. type of motor). This information should be used as general guide rather than an unqualified guarantee. Specifications are subject to change without prior notice.

### Specifications

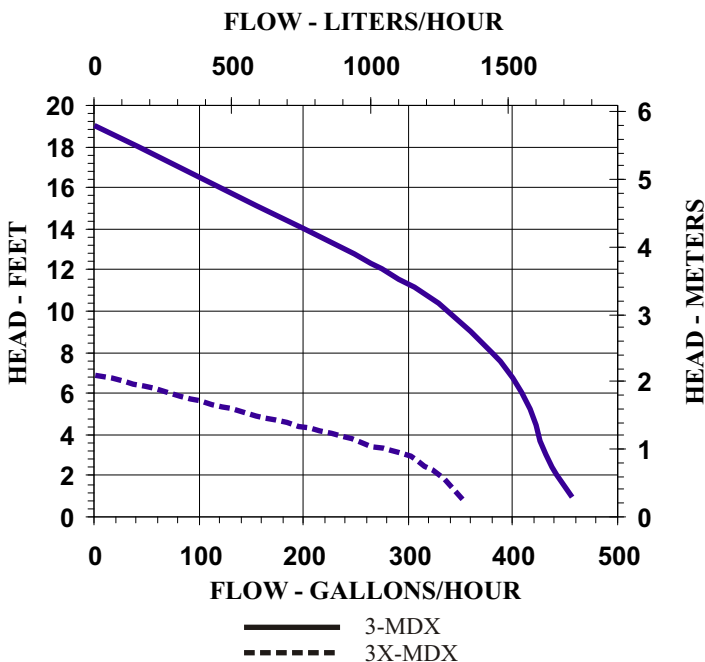
Model No.	Item No.	Intake	Discharge	Listing(s)	HP	Volts	Hertz	Amps	Watts	Performance (GPH @ Head)				Shut Off Feet	PSI	Pwr. Cord (ft)	Weight (Lbs.)
										1'	3'	6'	9'				
3-MDX	581031	5/8" Hose	5/8" Hose	UR/C-CSA	1/25	115	60	1.65	126	456	420	408	360	19.0	8.2	6	6.25
3X-MDX	581030	5/8" Hose	5/8" Hose	UR/C-CSA	1/50	115	60	0.94	67	348	300	198	7.0	3.0	6	5.50	



### Replacement Parts

ITEM	PART NO.	DESCRIPTION
A	181211	Volute
B	924007	O-Ring
C	921067	Thrust Washer
D	181112	Impeller 3-MDX
D	181111	Impeller 3X-MDX
E	180058	Shaft
F	181311	Backplate
1	920003	Wing Nut
2	901418	Screw
3	180602	Drive Magnet
4	181411	Mtg. Bracket

Note: Parts A-F Contact Fluid.



**Little Giant Pump Co.**  
 PO Box 12010  
 Okla. City, OK 73157  
 Phone: 405.947.2511  
 Fax: 405.228.1550  
[www.LittleGiantPump.com](http://www.LittleGiantPump.com)