

Little GIANT[®]

Pump Company

3-MD-MT-HC



Features

- Thermally Protected, Open, Fan-Cooled Motor
- Sleeve Bearings
- 6' Power Cord with 3-Prong Plug
- Specific Gravity to 1.1
- Fluid Temperature to 200 Degrees F.
- Ambient Air Temperature to 77 Degrees F.
- Run-dry capability up to 8 hours
- NOTE: Consult your local distributor or the factory for applications with higher ambient temperatures, specific gravities and viscosities.

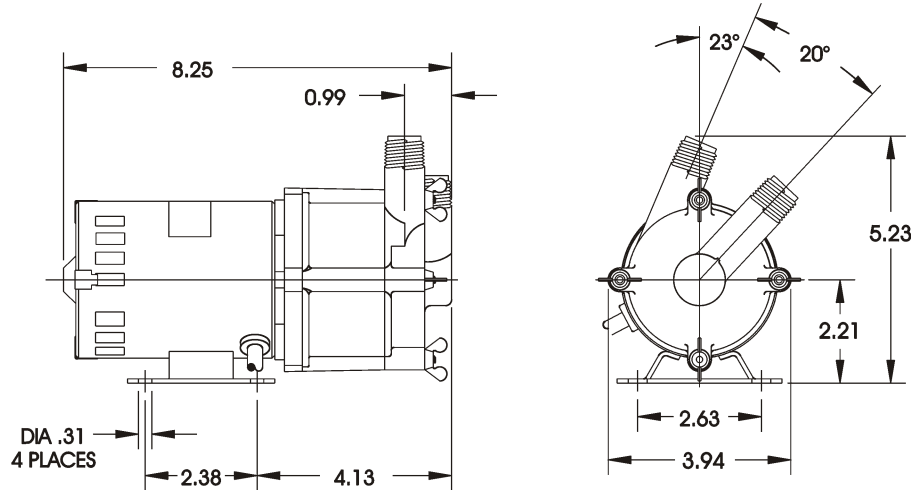
Construction

- Volute — Glass-filled Ryton[®]
- Housing — Glass-filled Ryton[®]
- Impeller — Glass-filled Ryton[®]
w/Carbon Bushing
- Shaft — Ceramic
- Thrust Washers — Ceramic
- O-Ring — Viton[®]

The Little Giant MD-HC series features leakproof, seal-less magnetic drives and are designed for in-line, non-submersible use. Volute, magnet housing and impeller are glass-filled Ryton[®] for excellent chemical resistance. Ceramic shaft and thrust washers are 99.5% pure alumina for excellent wear and trouble-free service. Pumping heads are easily rotated, cleaned or serviced with no special tools required. Spindle shaft is supported at both ends to prevent impeller damage during start-up and stop of pump.

Little Giant Pump Co.

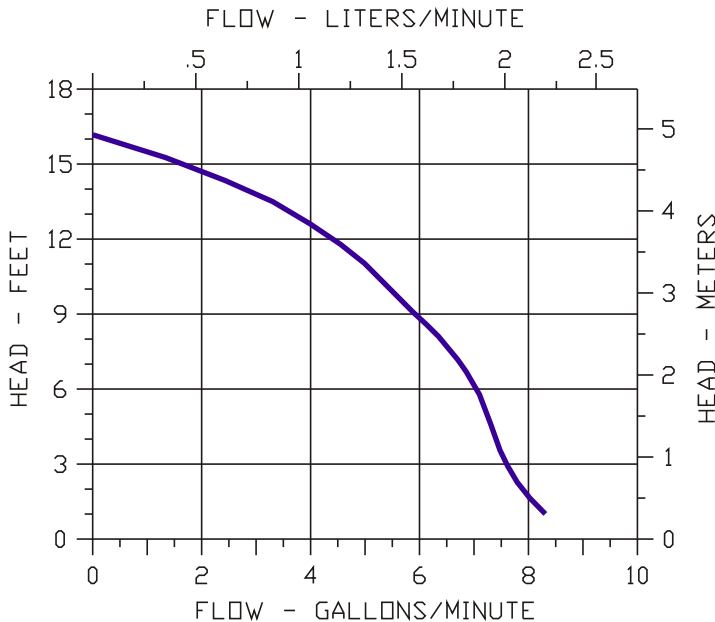
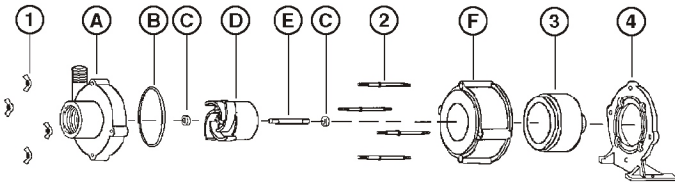
3-MD-MT-HC



NOTE: Designs and dimensions may vary for various reasons (i.e. type of motor). This information should be used as general guide rather than an unqualified guarantee. Specifications are subject to change without prior notice.

Specifications

Model No.	Item No.	Intake	Discharge	Listing(s)	HP	Volts	Hertz	Amps	Watts	Performance (GPM @ Head)					Shut Off		Pwr. Cord (ft)	Weight (Lbs.)
										1'	3'	6'	9'	15'	Feet	PSI		
3-MD-MT-HC	578603	1/2" MNPT	1/2" MNPT	UR/C-CSA	1/25	115	60	1.3	94	8.3	7.6	7.1	5.9	1.7	16.2	7.0	6	7.20
3-MD-MT-HC	578697	1/2" MNPT	1/2" MNPT	PUMP HEAD LESS MOTOR (Without Base)														2.00



Replacement Parts

ITEM	PART NO.	DESCRIPTION
A	181202	Volute
B	924008	O-Ring
C	921077	Thrust Washer
D	181142	Impeller
E	180059	Shaft
F	180005	Housing
1	920003	Wing nut
2	911403	Stud, Collared
3	180602	Drive Magnet
4	180048	Mtg. Bracket without Base

Note: Parts A-F Contact Fluid.