

Little GIANT[®]

Pump Company

TE-5-MD-HC



Features

Thermally Protected, Totally Enclosed, Fan Cooled, Permanent Split Capacitor Motor

Ball Bearings

6' Power Cord with 3-Prong Plug (Not installed)

Specific Gravity to 1.1

Fluid Temperature to 200 Degrees F.

Ambient Air Temperature to 77 Degrees F.

Run-dry capability up to 8 hours

NOTE: Consult your local distributor or the factory for applications with higher ambient temperatures, specific gravities and viscosities.

Construction

Volute — Glass-filled Ryton[®]

Backplate — Glass-filled Ryton[®]

Impeller — Glass-filled Ryton[®]
w/Carbon Bushing

Shaft — Ceramic

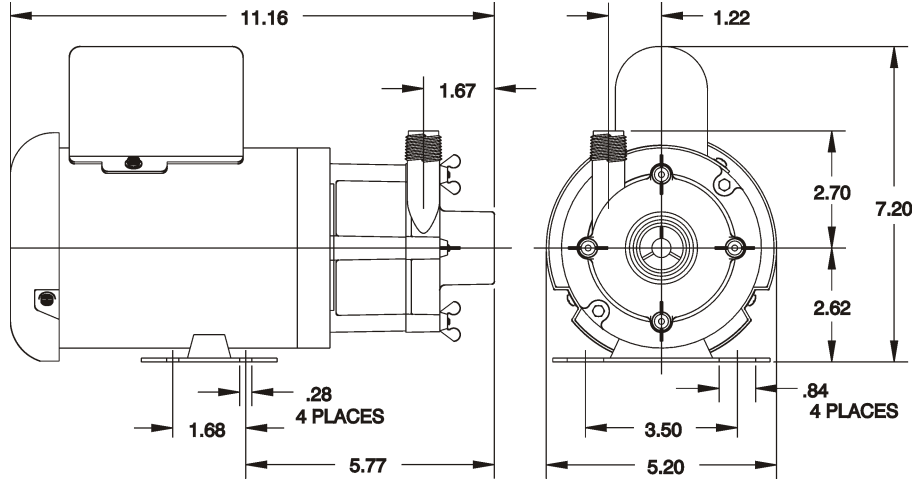
Thrust Washers — Ceramic

O-Ring — Viton[®]

The Little Giant MD-HC series features leakproof, seal-less magnetic drives and are designed for in-line, non-submersible use. Volute, magnet housing and impeller are glass-filled Ryton[®] for excellent chemical resistance. Ceramic shaft and thrust washers are 99.5% pure alumina for excellent wear and trouble-free service. Pumping heads are easily rotated, cleaned or serviced with no special tools required. Spindle shaft is supported at both ends to prevent impeller damage during start-up and stop of pump.

Little Giant Pump Co.

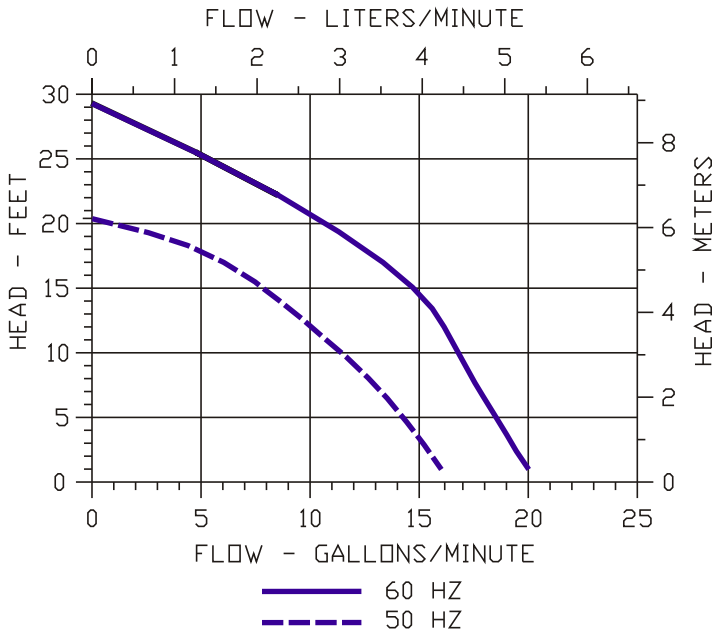
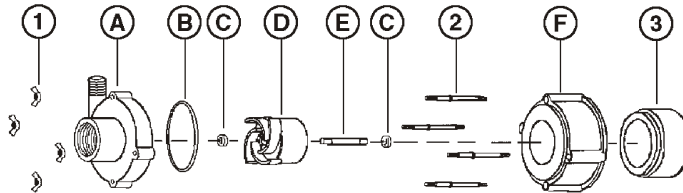
TE-5-MD-HC



NOTE: Designs and dimensions may vary for various reasons (i.e. type of motor). This information should be used as general guide rather than an unqualified guarantee. Specifications are subject to change without prior notice.

Specifications

Model No.	Item No.	Intake	Discharge	Listing(s)	HP	Volts	Hertz	Amps	Watts	Performance (GPM @ Head)					Shut Off		Pwr. Cord (ft)	Weight (Lbs.)
										1'	3'	6'	9'	15'	Feet	PSI		
TE-5-MD-HC	584604	1" FNPT	1/2" MNPT	UR/C-CSA	1/8	115	50/60	2.3/3.0	220/325	20	19.2	18.2	17	14.8	29.3	12.7	6	28.00
										20	19.2	18.2	17	14.8	29.3	12.7		
TE-5-MD-HC	584698	1" FNPT	1/2" MNPT						Pump Head Less Motor									7.00



Replacement Parts

ITEM	PART NO.	DESCRIPTION
A	183066	Volute
B	924008	O-Ring
C	921077	Thrust Washer
D	183141	Impeller/Bushing
E	180057	Shaft
F	182006	Housing
1	920003	Wing Nut
2	911403	Stud, Collared
3	183602	Drive Magnet

Note: Parts A-F Contact Fluid.

Little Giant Pump Co.

PO Box 12010 • Oklahoma City, OK 73157
 Phone: 405.947.2511 • Fax: 405.228.1550
 E-mail: customerservice@littlegiant.com