

Little GIANT[®]

Pump Company

TE-7-MD-CK



Features

Thermally Protected, Totally Enclosed, Fan Cooled, Capacitor Start Motor

Ball Bearings

Conduit Box (must be field wired — cord not included)

Specific Gravity to 1.1

Fluid Temperature to 200 Degrees F.

Ambient Air Temperature to 77 Degrees F.

NOTE: Consult your local distributor or the factory for applications with higher ambient temperatures, specific gravities and viscosities.

Construction

Volute — Carbon-filled Kynar[®]

Backplate — Carbon-filled Kynar[®]

Impeller — Carbon-filled Kynar[®] w/Carbon-filled Teflon (Chemloy) Bushing

Shaft — Ceramic (Silicon Carbide on 587639)

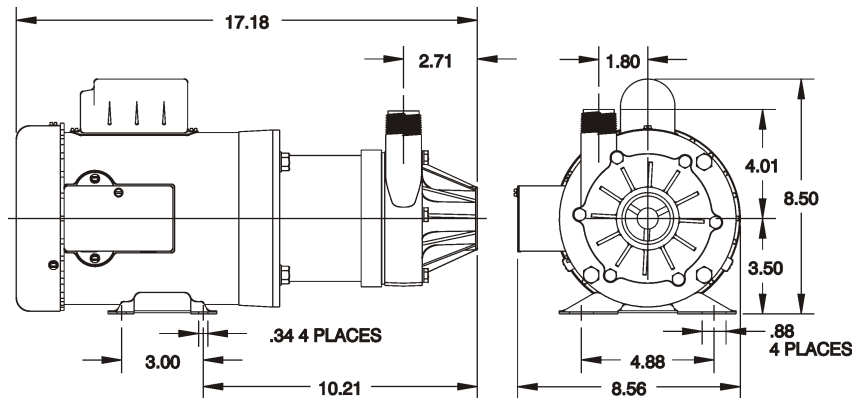
Thrust Washers — Ceramic (Silicon Carbide on 587639)

O-Ring — Viton[®] (Teflon on 587639)

The Little Giant MD-CK series features leakproof, seal-less magnetic drives and are designed for in-line, non-submersible use. Volute, magnet housing and impeller are carbon-filled Kynar[®] for excellent chemical resistance. Ceramic shaft and thrust washers are 99.5% pure alumina (except 587639 which are Silicon Carbide). Pumping heads are easily rotated, cleaned or serviced. Spindle shaft is supported at both ends to prevent impeller damage during start-up and stop of pump.

Little Giant Pump Co.

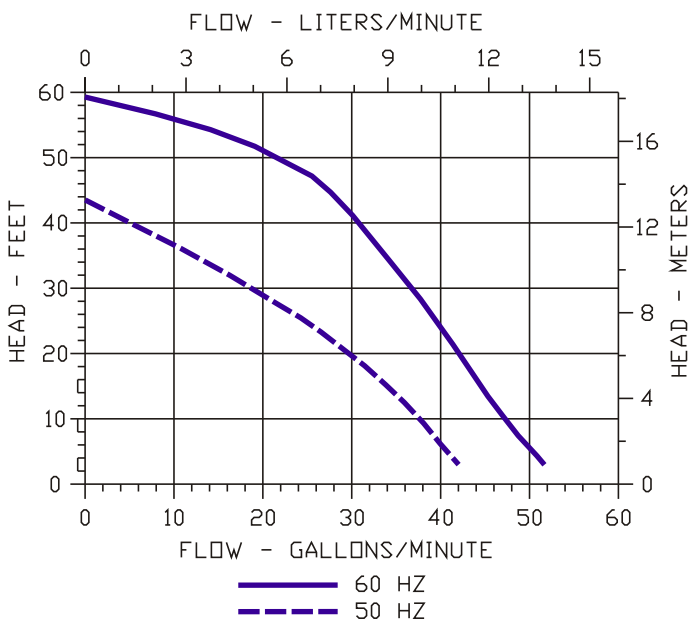
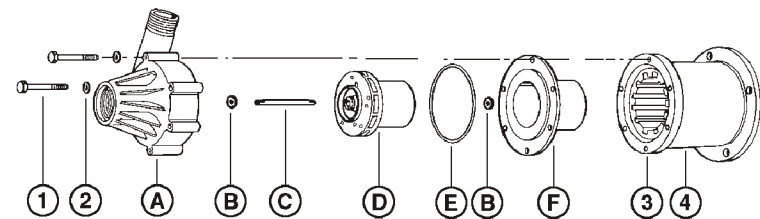
TE-7-MD-CK



NOTE: Designs and dimensions may vary for various reasons (i.e. type of motor). This information should be used as general guide rather than an unqualified guarantee. Specifications are subject to change without prior notice.

Specifications

Model No.	Item No.	Intake	Discharge	Listing(s)	HP	Volts	Hertz	Amps	Watts	Performance (GPM @ Head)					Shut Off Feet	Pwr. Cord (ft)	Weight (Lbs.)	
										1'	10'	25'	40'	50'				
TE-7-MD-CK	587600	1-1/2" FNPT	1" MNPT	UR/C-CSA	3/4	115	50/60	10.4/11.8	1080/1230	53	46.7	40	30.8	21.6	58.5	25.3	N/A	40.00
TE-7-MD-CK	587639	1-1/2" FNPT	1" MNPT	UR/C-CSA	3/4	115	50/60	10.4/11.8	1080/1230	53	46.7	40	30.8	21.6	58.5	25.3	N/A	40.00
TE-7-MD-CK	587603	1-1/2" FNPT	1" MNPT	UR	3/4	230	50/60	2.4/2.9	1080/1230	53	46.7	40	30.8	21.6	58.5	25.3	N/A	40.00
																		8.00
																		8.00



Replacement Parts

ITEM	PART NO.	DESCRIPTION
A	187015	Volute
B	187085	Thrust Washer, Ceramic
B	187058	Thrust Washer, Silicon Carbide for 587639
C	187056	Shaft, Ceramic
C	187057	Shaft, Silicon Carbide for 587639
D	187174	Impeller/Bushing
E	924016	O-Ring, Viton
E	924019	O-Ring, Teflon, for 587639
F	187024	Backplate
1	903712	Bolt
2	921050	Washer
3	187121	Drive Magnet
4	187073	Magnet Housing

Note: Parts A-F Contact Fluid.

Little Giant Pump Co.

PO Box 12010 • Oklahoma City, OK 73157
 Phone: 405.947.2511 • Fax: 405.228.1550
 E-mail: customerservice@littlegiant.com