

4817-3816

Cascade®

SmartHeight™, Elongated Front, Vitreous China, Two-Piece Toilet



Features

- Unique rimless bowl design
- Uses 20% less water than conventional toilets
- 1.28 gpf / 4.86 lpf low water consumption
- Elongated front, SmartHeight™ (16-9/16") bowl
- 3" flush valve
- Pilot operated fill valve
- 12" rough-in
- 2" glazed trapway
- Chrome trip lever
- Mansfield's® limited lifetime warranty
- Available in White







Model 4817-3816

Toilet seat not included



Rimless Bowl

Components

Model #	Description	Codes/Standards
4817-3816	SmartHeight, elongated front, two-piece toilet. Less toilet seat and supply.	   
4817	Elongated front toilet bowl only. Less toilet seat.	
3816	Tank and cover only, with left hand, front-mount, chrome trip lever. Less supply.	
SB400	Elongated SmartClose™ toilet seat. Specify color.	





4817-3816

Cascade®

SmartHeight™, Elongated Front, Vitreous China, Two-Piece Toilet

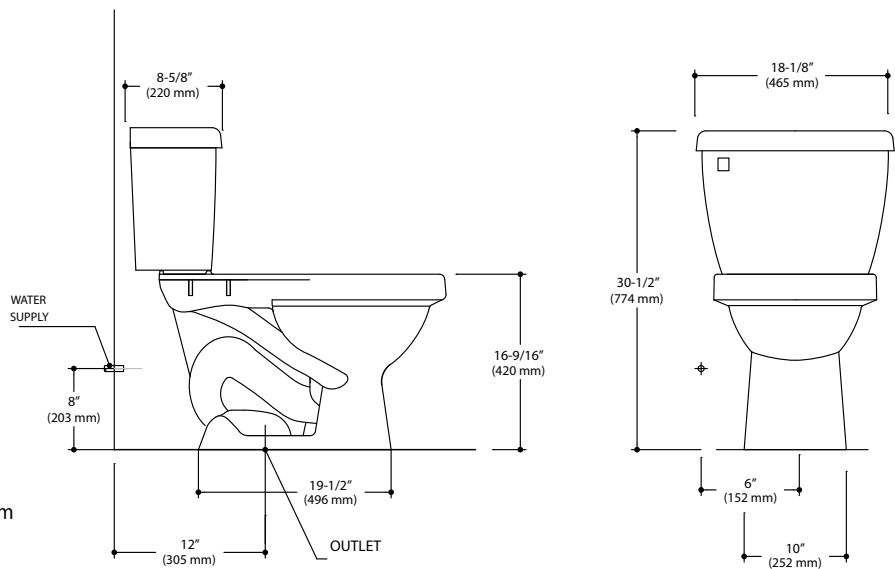
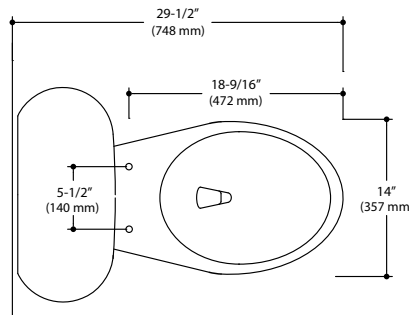


Specifications

Model #	Description	Codes/Standards
4817-3816	SmartHeight™ elongated front (1.28 gpf/4.86 lpf) two-piece toilet	   

Specification	Description	Specification	Description
Material	Vitreous china	Trap Diameter	2"
Water Pressure Range	20 to 80 PSI	Trap Seal	2"
Flush System	Gravity fed flushing technology	Rough-in	12"
Water Usage	1.28 gpf / 4.86 lpf	Shipping Weight	73.6 lbs. (33.4 kg)
Water Surface Area	7-1/4" X 10-1/2"	Warranty	Vitreous China - Limited Lifetime Tank Trim - Limited One Year
MaP Rating	800 grams		

Technical Information



See our complete line of acrylic and vitreous china bathroom fixtures, plastic tank trim and plumbing products.

These dimensions are nominal and subject to change without notice.

Fixture performance and specifications meet or exceed ASME A112.19.2-2008/CSA B45.1-08 standards, and other state and local codes.