



# RESTORE

WALK-IN TUB



## Features

- 51-1/2" x 30" x 40" Walk-In Tub
- Taller than standard tub with sculpted 17" high seat (ADA), allows the bather to remain in an upright position while being completely submerged in water
- Water-tight, inward swinging door with Lifetime Guarantee on the seal gives users with limited mobility a safe and easy entry and exit
- Non-rusting door hinge and handle
- Easy door locking system
- Rich, high gloss finish and slip resistant floor
- Adjustable one-inch steel frame with adjustable feet
- Replaces standard size tub with right or left hand drain and fits through a standard 32" bathroom doorway
- Removable front access and end panels allow for complete access to pump/motor, blower and plumbing
- Available in Soaker, Whirlpool, Air Bath and Combination Bath in both left and right-hand drain options
- Cable waste and overflow standard on all configurations
- In-line heater standard on whirlpool and combination units
- Heating element standard on airbath blower
- Outstanding Protection - 10 Year Warranty on shell, 5-Year labor warranty on all factory installed components, lifetime warranty on the door seal

Walk-in tubs are an economical way to "Restore" safety and independence to your life. Taller, wider and roomier, the Restore provides a luxurious hydrotherapy experience relieving stress, soothing tired muscles, and promoting healthy blood circulation.

MODEL NO.	DESCRIPTION	APPROX. WT.
8010	Whirlpool - RH	225 lbs.
8110	Whirlpool - LH	225 lbs.
8210	Soaker - RH	195 lbs.
8310	Soaker - LH	195 lbs.
8410	Air Bath - RH	215 lbs.
8510	Air Bath - LH	215 lbs.
8610	Combination - RH	255 lbs.
8710	Combination - LH	255 lbs.

LH - Left Hand Drain RH- Right Hand Drain

# RESTORE

## WALK-IN TUB

### Features

#### SOAKING TUB

- Most economical
- Tall, standard tub equipped with a water-tight door that allows you to enter effortlessly.

#### AIR BATH

- 16 strategically placed air jets with check valves
- Hygienic purge feature - clears air lines of residual water
- Raised air button control easily turns blower on or off and controls the three speeds
- 120V, 8 amps, 3/4 HP blower with heating element

#### WHIRLPOOL

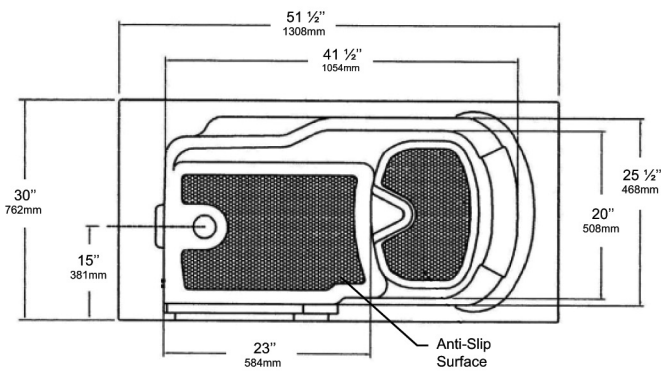
- 5 multi-directional hydrotherapy jets, each with individual volume control
- Inline heater - maintains constant water temperature
- Conductive on/off button will only activate pump if there is water in the tub
- 120V, 13.5 amps, 1-1/2 HP motor

#### COMBINATION BATH

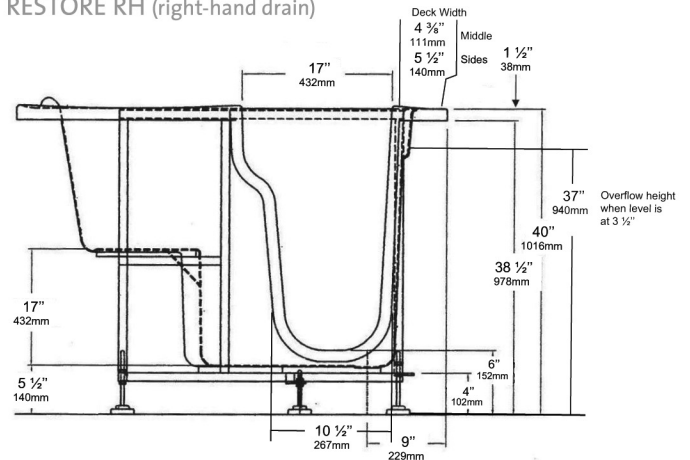
- Combines the air and whirlpool jets in a single bath for the best of both worlds.

### Technical Information

RESTORE LH (left-hand drain)



RESTORE RH (right-hand drain)



Product is manufactured to comply with industry standards. Rough-in dimensions may vary +/- 1/4."

### Specifications

Dimensions	51-1/2" x 30" x 40"
Material	Marine Grade Fiberglass
Construction	Outer finish is a double hand applied gel coat. Frame is one inch powder-coated steel. All hardware and door mechanisms are the finest quality stainless steel.
Pump Motor	Whirlpool: 120V, 13.5 amps, 1 1/2 HP
Air Blower	Air Bath: 120V, 8 amps, 3/4 HP blower
Includes	Wall bracket kit, end panel, front panel and cable drain. Nailing flange kit optional.

Electrical Requirements	Air Bath (8510 & 8410): One dedicated, 120V, 20 amp GFCI protected circuit Whirlpool (8110 & 8010): Two separate dedicated, 120V, 20 amp GFCI protected circuits Combination (8710 & 8610): Three separate dedicated, 120V, 20 amp GFCI protected circuits
Number of Jets	Whirlpool: 5 jets Air Bath: 16 jets/blowers
Water Capacity	40-50 gallons (with bather)
Floor Loading	450 lbs.
Warranty	10-Year warranty on the shell 5-Year warranty on all factory components Lifetime warranty on door seal

