


## Features

- 20-1/8" x 16-1/4" pedestal lav
- 16-1/4" x 10-1/8" basin
- 33-1/2" luxury height
- Concealed front overflow
- Available in 4" or 8" faucet centers
- The Mansfield® limited lifetime warranty
- Available in White and Standard Colors: Biscuit and Bone



Model 270-4  
 (Less faucet, drain  
 assembly and supply)

## Components

| Model # | Description   | Codes/Standards   |
|---------|---|---|
| 270     | Oval lavatory with pedestal. Less faucet, drain assembly and supply. Specify color.         |  |
| 272-4   | Lavatory only with 4" faucet center. Less faucet, drain assembly and supply. Specify color. |   |
| 272-8   | Same as above with 8" faucet center. Specify color.   |   |
| 273     | Pedestal only. Specify color.   |   |



**MADE IN USA**

## Specifications

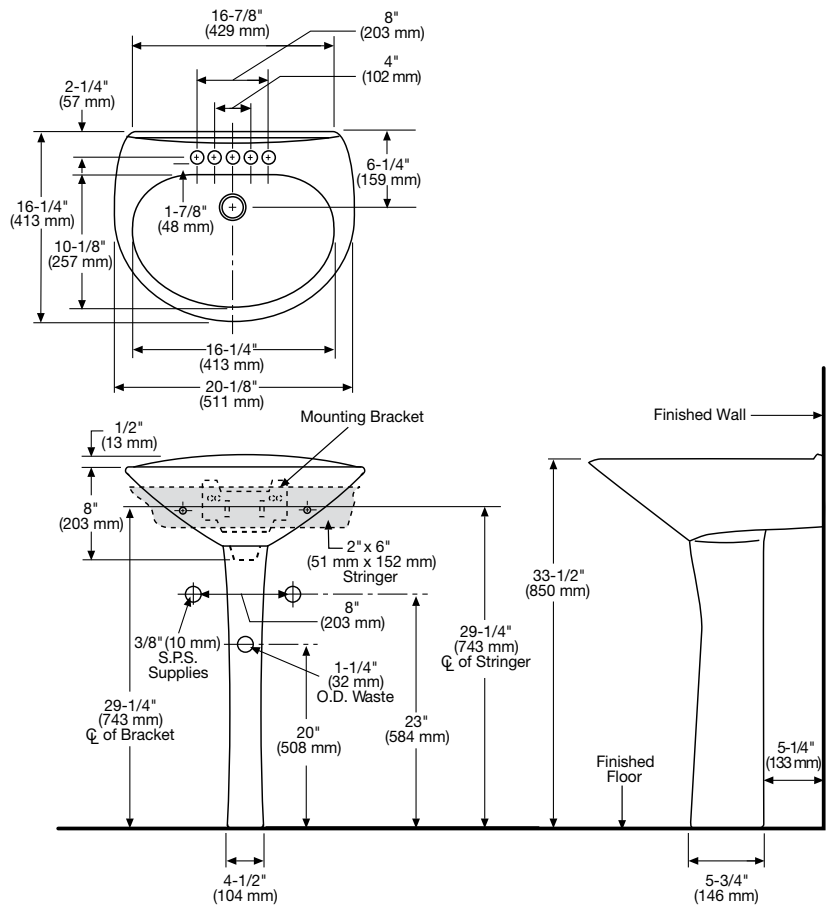
| Model # | Description                          | Codes/Standards |
|---------|--------------------------------------|-----------------|
| 270     | 20-1/8" x 16-1/4" Pedestal Lavatory. |                 |

| Specification | Description                       | Specification   | Description                 |
|---------------|-----------------------------------|-----------------|-----------------------------|
| Material      | Vitreous China                    | Shipping Weight | Model 272 - 24 lbs. (10 kg) |
| Warranty      | Vitreous China - Limited Lifetime |                 | Model 273 - 14 lbs. (6 kg)  |
| Faucet Holes  | 4" - 1-3/16" or 8" - 1-7/16"      |                 |                             |

## Technical Information

All Mansfield® wall-mount lavatories are supplied with this exclusive one-piece steel hanger. Easily installed and adjusted, it contains 7 holes for solid mounting against wall. Anchoring screw must be used for correct installation. Standard plumbing practice recommends use of both mounting bracket and anchoring screws.

NOTE: For secure installation, wall-mounting hanger should be fastened to solid, support wall stud.



See our complete line of acrylic and vitreous china bathroom fixtures, plastic tank trim and plumbing products.

These dimensions are nominal and subject to change without notice.

Fixture performance and specifications meet or exceed ASME A112.19.2-2008/CSA B45.1-08 standards, and other state and local codes.



**MADE IN USA**