

186-188

Reo™

Elongated Front, Vitreous China, Two-Piece Toilet



Features

- 1.6 Gpf / 6.0 Lpf low water consumption
- Elongated front, SmartHeight™ (16-1/2" high bowl)
- Complies with ADA requirements for accessibility
- Includes SmartClose™ toilet seat
- High performance MagnaFlush™ flushing technology
- 3" flush valve
- Pilot operated anti-siphon fill valve
- 12" rough-in
- Model 87 front-mount, chrome-plated trip lever
- 2-1/2" glazed trapway
- The Mansfield® limited lifetime warranty
- Available in White and Standard Colors: Biscuit and Bone





Elongated Front



Model 186-188
Toilet seat included

Components

Model #	Description	Codes/Standards
186-188	Elongated front, SmartHeight™ two-piece toilet with SmartClose™ toilet seat. Less supply. Specify color.	 
186	Elongated front, SmartHeight™ toilet bowl only. Specify color.	
188	Tank and cover only, with left hand front mount, chrome-plated trip lever. Less supply. Specify color.	
SB1800	Reo SmartClose™ toilet seat. Specify color.	



186-188

Reo™

Elongated Front, Vitreous China, Two-Piece Toilet

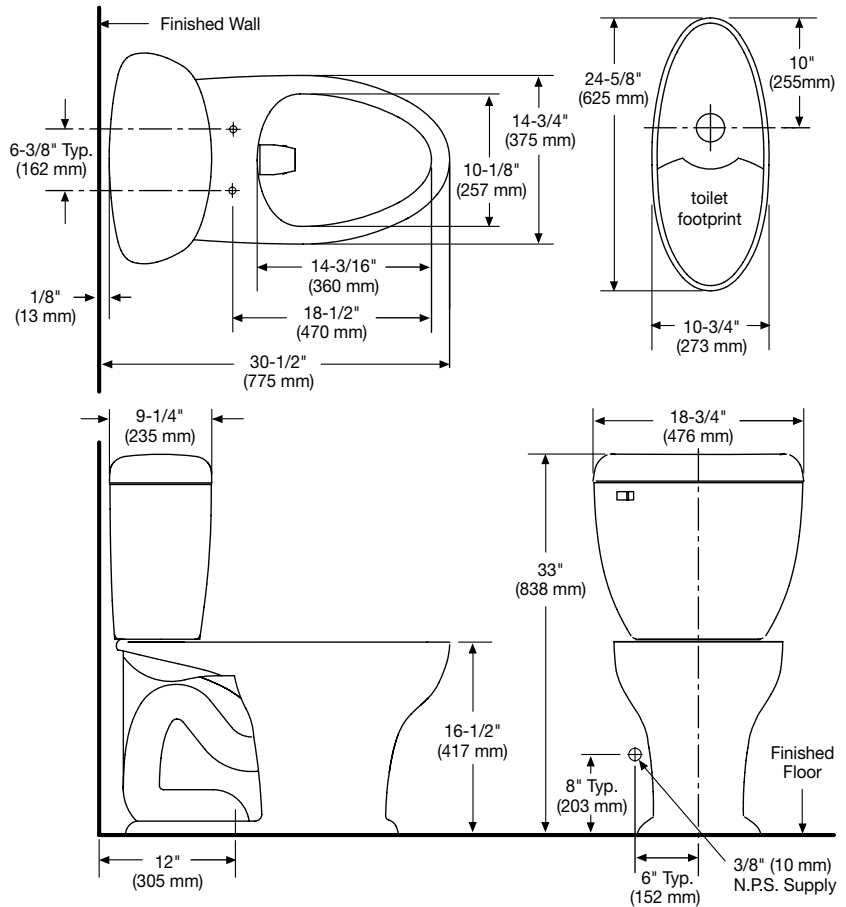


Specifications

Model #	Description	Codes/Standards
186-188	Elongated front, SmartHeight™ (1.6 gpf / 6.0 lpf) two-piece toilet	 

Specification	Description	Specification	Description
Material	Vitreous China	Trap Diameter	2-1/2"
Water Pressure Range	20 to 80 PSI	Trap Seal	2-1/2"
Flush System	3" flush valve - MagnaFlush™ Flushing Technology	Rough-in	12"
Water Usage	1.6 gpf / 6.0 lpf	Shipping Weight	Model 186 - 58.7 lbs. / 26.6 kg
Water Surface Area	10-1/2" X 8-1/4"		Model 188 - 31 lbs. / 14 kg
MaP Rating	600 grams	Warranty	Vitreous China - Limited Lifetime Tank Trim - Limited One Year

Technical Information



See our complete line of acrylic and vitreous china bathroom fixtures, plastic tank trim and plumbing products.

These dimensions are nominal and subject to change without notice.

Fixture performance and specifications meet or exceed ASME A112.19.2-2008/CSA B45.1-08 standards, and other state and local codes.