

Suction Line Filter Driers

MARS SERIES **201**



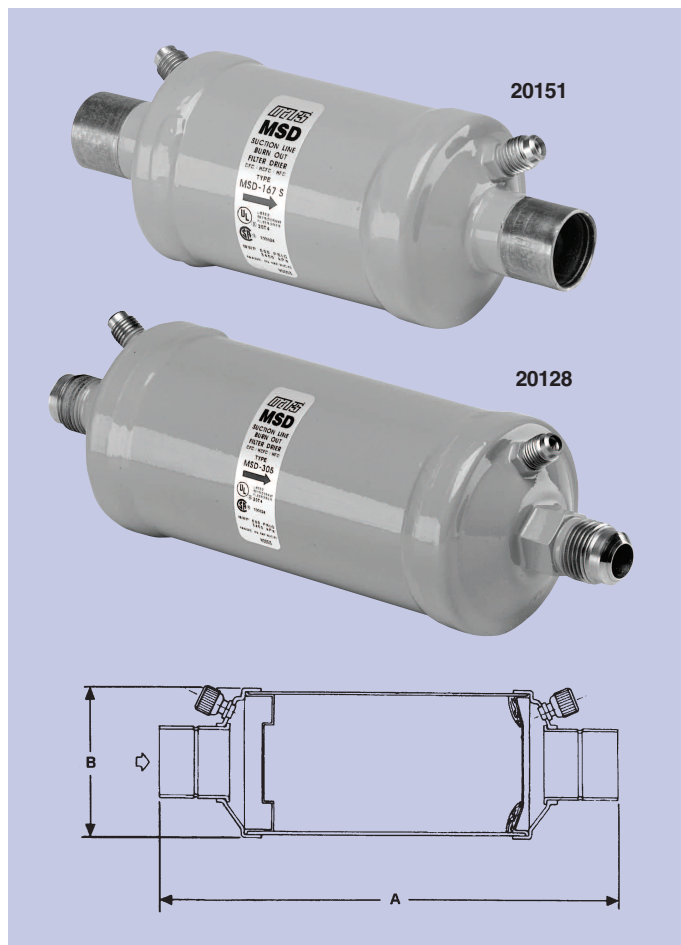
MARS suction line driers - flow capacities¹ in refrigerant tons at selected evaporator temps

The MARS Suction Line Filter Driers are designed to effectively clean up the refrigerant system by removing solid contaminants and harmful acids that were created during a motor burnout. As well as motor burnout applications, the MARS Suction Line Drier should be installed in remote systems with long refrigerant lines. The filter drier will collect and hold any dirt that is in the evaporator or suction line at start up. Any field built-up system requires the protection that the MARS Suction Line Drier offers.

The desiccant block core effectively removes and holds a maximum amount of contaminants with minimum pressure drop. The binding material in the core protects the core from acid decomposition and allows it to collect and hold organic and inorganic acids from motor burnout. An inlet deflector spreads the refrigerant flow evenly across the molded core to provide full filtration capacity and to prevent erosion of the core.

Features & Benefits:

- For use on R134A, R12, R22, R500, R404A, R410A, R507
- Dual access valve for accurate pressure drop readings
- Solid block desiccant core
- High organic & inorganic acid removal
- For use with HCFCs, CFCs and the lubricants that go with them
- Nickel plated SAE flare and solid copper ODF fittings
- Corrosion resistant paint
- Maximum working pressure 600 PSIG
- Minimum burst pressure 2500 PSIG
- UL & CSA listed



SERVICE & INSTALLATION

| MARS NO. | R-134A Pressure Drop In P.S.I. | | | | R-22 Pressure Drop In P.S.I. | | | | | R-502 Pressure Drop In P.S.I. | | | | | R410A Flow Capacity Evaporator Temperature (F°) | | | | |
|----------|--------------------------------|-------|-----|-------|------------------------------|-------|-----|-------|-------|-------------------------------|-------|-----|-------|-------|---|-------|-----|-------|-------|
| | 2 | 1.5 | 1 | 0.5 | 3 | 2 | 1.5 | 1 | 0.5 | 3 | 2 | 1.5 | 1 | 0.5 | 3 | 2 | 1.5 | 1 | 0.5 |
| | +40°F | +20°F | 0°F | -20°F | +40°F | +20°F | 0°F | -20°F | -40°F | +40°F | +20°F | 0°F | -20°F | -40°F | +40°F | +20°F | 0°F | -20°F | -40°F |
| 20141 | 0.8 | 0.5 | 0.3 | 0.2 | 1.3 | 0.8 | 0.6 | 0.4 | 0.2 | 1.0 | 0.7 | 0.5 | 0.3 | 0.1 | 1.7 | 1.1 | 0.8 | 0.5 | 0.3 |
| 20143 | 1.7 | 1.2 | 0.7 | 0.4 | 2.7 | 1.8 | 1.2 | 0.8 | 0.4 | 2.2 | 1.4 | 1.0 | 0.6 | 0.3 | 2.8 | 1.9 | 1.3 | 0.8 | 0.5 |
| 20145 | 2.4 | 1.6 | 1.0 | 0.5 | 3.8 | 2.5 | 1.7 | 1.1 | 0.6 | 3.1 | 2.0 | 1.3 | 0.8 | 0.4 | 3.9 | 2.6 | 1.7 | 1.1 | 0.6 |
| 20149 | 2.2 | 1.5 | 0.9 | 0.5 | 3.4 | 2.2 | 1.5 | 1.0 | 0.5 | 2.8 | 1.8 | 1.2 | 0.8 | 0.4 | 3.5 | 2.2 | 1.5 | 1.0 | 0.5 |
| 20150 | 2.6 | 1.8 | 1.1 | 0.6 | 4.1 | 2.7 | 1.8 | 1.2 | 0.6 | 3.4 | 2.2 | 1.5 | 0.9 | 0.5 | 4.2 | 2.8 | 1.8 | 1.2 | 0.6 |
| 20151 | 2.7 | 1.8 | 1.1 | 0.6 | 4.6 | 2.8 | 1.9 | 1.1 | 0.6 | 4.3 | 2.6 | 1.7 | 1.0 | 0.6 | 4.2 | 2.8 | 1.8 | 1.2 | 0.6 |
| 20154 | 3.4 | 2.3 | 1.4 | 0.7 | 5.4 | 3.5 | 2.4 | 1.5 | 0.8 | 4.4 | 2.8 | 1.9 | 1.2 | 0.6 | 5.5 | 3.6 | 2.4 | 1.5 | 0.8 |
| 20155 | 3.8 | 2.5 | 1.6 | 0.8 | 5.9 | 3.9 | 2.6 | 1.7 | 0.9 | 4.9 | 3.1 | 2.1 | 1.3 | 0.7 | 6.0 | 4.0 | 2.6 | 1.7 | 0.9 |
| 20156 | 3.9 | 2.6 | 1.6 | 0.8 | 6.1 | 4.0 | 2.7 | 1.7 | 0.9 | 5.0 | 3.2 | 2.2 | 1.3 | 0.7 | 6.2 | 4.1 | 2.8 | 1.7 | 0.9 |

Flow Capacity In Tons Refrigerant¹ (For kW, Multiply Tons By 3.5)

¹ All ratings in accordance with ARI standard 730-04

² Example: 1.0 tons x 3.5 = 3.5 KW

| MARS NO. | MODEL NO. | SIZE & TYPE | DIMENSION | |
|----------|-----------|-------------|-----------|-----|
| | | | A | B |
| 20141 | MSD-83S | 3/8 ODF | 5.43 | 2.5 |
| 20143 | MSD-84S | 1/2 ODF | 5.48 | 2.5 |
| 20145 | MSD-85S | 5/8 ODF | 5.74 | 2.5 |

| MARS NO. | MODEL NO. | SIZE & TYPE | DIMENSION | |
|----------|-----------|-------------|-----------|-----|
| | | | A | B |
| 20149 | MSD-165S | 5/8 ODF | 6.54 | 2.5 |
| 20150 | MSD-166S | 3/4 ODF | 6.95 | 2.5 |
| 20151 | MSD-167S | 7/8 ODF | 7.13 | 2.5 |

| MARS NO. | MODEL NO. | SIZE & TYPE | DIMENSION | |
|----------|-----------|-------------|-----------|-----|
| | | | A | B |
| 20154 | MSD-306S | 3/4 ODF | 9.63 | 3.0 |
| 20155 | MSD-307S | 7/8 ODF | 9.80 | 3.0 |
| 20156 | MSD-309S | 1-1/8 ODF | 9.80 | 3.0 |