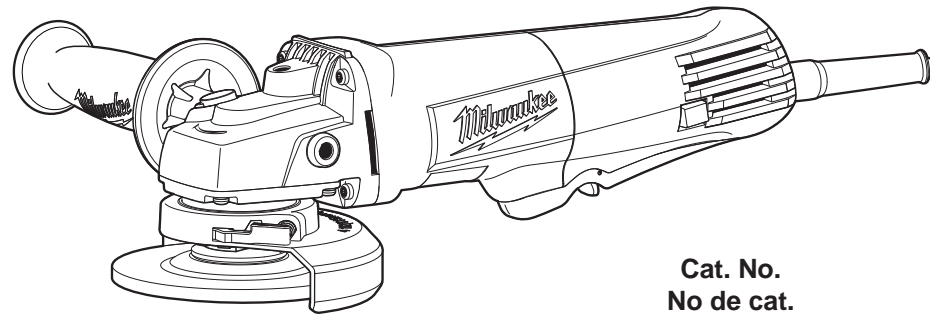




OPERATOR'S MANUAL
MANUEL de L'UTILISATEUR
MANUAL del OPERADOR



Cat. No.	
No de cat.	
6122-30	6116-30,
6122-30A	6116-31,
6122-31	6116-33,
6122-31A	6160-30,
6140-30	6160-31,
6140-33	6160-33,
6148-30	6123-30,
6148-31	6123-31
6148-33	

HEAVY-DUTY SANDERS/GRINDERS
EXTRA ROBUSTE PONCEUSE-RECTIFIEUSE
LIJADORAS/ESMERILADORAS HEAVY-DUTY

TO REDUCE THE RISK OF INJURY, USER MUST READ OPERATOR'S MANUAL.
AFIN DE RÉDUIRE LE RISQUE DE BLESSURES, L'UTILISATEUR DOIT LIRE LE MANUEL DE L'UTILISATEUR.
PARA REDUCIR EL RIESGO DE LESIONES, EL USUARIO DEBE LEER EL MANUAL DEL OPERADOR.

GENERAL POWER TOOL SAFETY WARNINGS

WARNING READ ALL SAFETY WARNINGS AND INSTRUCTIONS.

Failure to follow the warnings and instructions may result in electric shock, fire and/or serious injury.

Save all warnings and instructions for future reference

The term "power tool" in the warnings refers to your mains-operated (corded) power tool or battery-operated (cordless) power tool.

WORK AREA SAFETY

- **Keep work area clean and well lit.** Cluttered or dark areas invite accidents.
- **Do not operate power tools in explosive atmospheres, such as in the presence of flammable liquids, gases or dust.** Power tools create sparks which may ignite the dust or fumes.
- **Keep children and bystanders away while operating a power tool.** Distractions can cause you to lose control.

ELECTRICAL SAFETY

- **Power tool plugs must match the outlet. Never modify the plug in any way. Do not use any adapter plugs with earthed (grounded) power tools.** Unmodified plugs and matching outlets will reduce risk of electric shock.
- **Avoid body contact with earthed or grounded surfaces such as pipes, radiators, ranges and refrigerators.** There is an increased risk of electric shock if your body is earthed or grounded.
- **Do not expose power tools to rain or wet conditions.** Water entering a power tool will increase the risk of electric shock.
- **Do not abuse the cord. Never use the cord for carrying, pulling or unplugging the power tool. Keep cord away from heat, oil, sharp edges or moving parts.** Damaged or entangled cords increase the risk of electric shock.
- **When operating a power tool outdoors, use an extension cord suitable for outdoor use.** Use of a cord suitable for outdoor use reduces the risk of electric shock.
- **If operating a power tool in a damp location is unavoidable, use a residual current device (RCD) protected supply.** Use of an RCD reduces the risk of electric shock.

PERSONAL SAFETY

- **Stay alert, watch what you are doing and use common sense when operating a power tool. Do not use a power tool while you are tired or under the influence of drugs, alcohol or medi-**

cation. A moment of inattention while operating power tools may result in serious personal injury.

- **Use personal protective equipment. Always wear eye protection.** Protective equipment such as dust mask, non-skid safety shoes, hard hat, or hearing protection used for appropriate conditions will reduce personal injuries.
- **Prevent unintentional starting. Ensure the switch is in the off-position before connecting to power source and/or battery pack, picking up or carrying the tool.** Carrying power tools with your finger on the switch or energising power tools that have the switch on invites accidents.
- **Remove any adjusting key or wrench before turning the power tool on.** A wrench or a key left attached to a rotating part of the power tool may result in personal injury.
- **Do not overreach. Keep proper footing and balance at all times.** This enables better control of the power tool in unexpected situations.
- **Dress properly. Do not wear loose clothing or jewellery. Keep your hair, clothing and gloves away from moving parts.** Loose clothes, jewellery or long hair can be caught in moving parts.
- **If devices are provided for the connection of dust extraction and collection facilities, ensure these are connected and properly used.** Use of dust collection can reduce dust-related hazards.

POWER TOOL USE AND CARE

- **Do not force the power tool. Use the correct power tool for your application.** The correct power tool will do the job better and safer at the rate for which it was designed.
- **Do not use the power tool if the switch does not turn it on and off.** Any power tool that cannot be controlled with the switch is dangerous and must be repaired.
- **Disconnect the plug from the power source and/or the battery pack from the power tool before making any adjustments, changing accessories, or storing power tools.** Such preventive safety measures reduce the risk of starting the power tool accidentally.

- **Store idle power tools out of the reach of children and do not allow persons unfamiliar with the power tool or these instructions to operate the power tool.** Power tools are dangerous in the hands of untrained users.
- **Maintain power tools. Check for misalignment or binding of moving parts, breakage of parts and any other condition that may affect the power tool's operation. If damaged, have the power tool repaired before use.** Many accidents are caused by poorly maintained power tools.
- **Keep cutting tools sharp and clean.** Properly maintained cutting tools with sharp cutting edges are less likely to bind and are easier to control.
- **Use the power tool, accessories and tool bits etc., in accordance with these instructions, taking into account the working conditions and the work to be performed.** Use of the power tool for operations different from those intended could result in a hazardous situation.

SERVICE

- **Have your power tool serviced by a qualified repair person using only identical replacement parts.** This will ensure that the safety of the power tool is maintained.

SPECIFIC SAFETY RULES

Safety Warnings Common for Grinding, Sanding, Wire Brushing or Abrasive Cutting-Off Operations:

- **This power tool is intended to function as a grinder, sander, wire brush or cut-off tool. Read all safety warnings, instructions, illustrations and specifications provided with this power tool.** Failure to follow all instructions listed below may result in electric shock, fire and/or serious injury.
- **Operations such as polishing are not recommended to be performed with this power tool.** Operations for which the power tool was not designed may create a hazard and cause personal injury.
- **Do not use accessories which are not specifically designed and recommended by the tool manufacturer.** Just because the accessory can be attached to your power tool, it does not assure safe operation.
- **The rated speed of the accessory must be at least equal to the maximum speed marked on the power tool. Accessories running faster than their rated speed can break and fly apart.**
- **The outside diameter and the thickness of your accessory must be within the capacity rating**

of your power tool. Incorrectly sized accessories cannot be adequately guarded or controlled.

- **The arbour size of wheels, flanges, backing pads or any other accessory must properly fit the spindle of the power tool.** Accessories with arbour holes that do not match the mounting hardware of the power tool will run out of balance, vibrate excessively and may cause loss of control.
- **Do not use a damaged accessory. Before each use inspect the accessory such as abrasive wheels for chips and cracks, backing pad for cracks, tear or excess wear, wire brush for loose or cracked wires. If power tool or accessory is dropped, inspect for damage or install an undamaged accessory. After inspecting and installing an accessory, position yourself and bystanders away from the plane of the rotating accessory and run the power tool at maximum no-load speed for one minute.** Damaged accessories will normally break apart during this test time.
- **Wear personal protective equipment. Depending on application, use face shield, safety goggles or safety glasses. As appropriate, wear dust mask, hearing protectors, gloves and work shop apron capable of stopping small abrasive or workpiece fragments. The eye protection must be capable of stopping flying debris generated by various operations.** The dust mask or respirator must be capable of filtrating particles generated by your operation. Prolonged exposure to high intensity noise may cause hearing loss.
- **Keep bystanders a safe distance away from work area. Anyone entering the work area must wear personal protective equipment.** Fragments of workpiece or of a broken accessory may fly away and cause injury beyond immediate area of operation.
- **Hold power tool by insulated gripping surfaces only, when performing an operation where the cutting accessory may contact hidden wiring or its own cord.** Cutting accessory contacting a live wire may make exposed metal parts of the power tool live and shock the operator.
- **Position the cord clear of the spinning accessory.** If you lose control, the cord may be cut or snagged and your hand or arm may be pulled into the spinning accessory.
- **Never lay the power tool down until the accessory has come to a complete stop.** The spinning accessory may grab the surface and pull the power tool out of your control.
- **Do not run the power tool while carrying it at your side.** Accidental contact with the spinning accessory could snag your clothing, pulling the accessory into your body.

- **Regularly clean the power tool's air vents.** The motor's fan will draw the dust inside the housing and excessive accumulation of powdered metal may cause electrical hazards.
- **Do not operate the power tool near flammable materials.** Sparks could ignite these materials.
- **Do not use accessories that require liquid coolants.** Using water or other liquid coolants may result in electrocution or shock.

Kickback and Related Warnings

Kickback is a sudden reaction to a pinched or snagged rotating wheel, backing pad, brush or any other accessory. Pinching or snagging causes rapid stalling of the rotating accessory which in turn causes the uncontrolled power tool to be forced in the direction opposite of the accessory's rotation at the point of the binding.

For example, if an abrasive wheel is snagged or pinched by the workpiece, the edge of the wheel that is entering into the pinch point can dig into the surface of the material causing the wheel to climb out or kick out. The wheel may either jump toward or away from the operator, depending on direction of the wheel's movement at the point of pinching. Abrasive wheels may also break under these conditions.

Kickback is the result of power tool misuse and/or incorrect operating procedures or conditions and can be avoided by taking proper precautions as given below.

- **Maintain a firm grip on the power tool and position your body and arm to allow you to resist kickback forces. Always use auxiliary handle, if provided, for maximum control over kickback or torque reaction during start-up.** The operator can control torque reactions or kickback forces, if proper precautions are taken.
- **Never place your hand near the rotating accessory.** Accessory may kick back over your hand.
- **Do not position your body in the area where power tool will move if kickback occurs.** Kickback will propel the tool in direction opposite to the wheel's movement at the point of snagging.
- **Use special care when working corners, sharp edges etc. Avoid bouncing and snagging the accessory.** Corners, sharp edges or bouncing have a tendency to snag the rotating accessory and cause loss of control or kickback.
- **Do not attach a saw chain woodcarving blade or toothed saw blade.** Such blades create frequent kickback and loss of control.

Safety Warnings Specific for Grinding and Abrasive Cutting-Off Operations:

- **Use only wheel types that are recommended for your power tool and the specific guard designed for the selected wheel.** Wheels for which the power tool was not designed can not be adequately guarded and are unsafe.
- **The guard must be securely attached to the power tool and positioned for maximum safety, so the least amount of wheel is exposed towards the operator.** The guard helps to protect operator from broken wheel fragments and accidental contact with wheel.
- **Wheels must be used only for recommended applications. For example: do not grind with the side of cut-off wheel.** Abrasive cut-off wheels are intended for peripheral grinding, side forces applied to these wheels may cause them to shatter.
- **Always use undamaged wheel flanges that are of correct size and shape for your selected wheel.** Proper wheel flanges support the wheel thus reducing the possibility of wheel breakage. Flanges for cut-off wheels may be different from grinding wheel flanges.
- **Do not use worn down wheels from larger power tools.** Wheel intended for larger power tool is not suitable for the higher speed of a smaller tool and may burst.

Additional Safety Warnings Specific for Abrasive Cutting-Off Operations:

- **Do not jam the cut-off wheel or apply excessive pressure. Do not attempt to make an excessive depth of cut.** Overstressing the wheel increases the loading and susceptibility to twisting or binding of the wheel in the cut and the possibility of kickback or wheel breakage.
- **Do not position your body in line with and behind the rotating wheel.** When the wheel, at the point of operation, is moving away from your body, the possible kickback may propel the spinning wheel and the power tool directly at you.
- **When wheel is binding or when interrupting a cut for any reason, switch off the power tool and hold the power tool motionless until the wheel comes to a complete stop. Never attempt to remove the cut-off wheel from the cut while the wheel is in motion otherwise kickback may occur.** Investigate and take corrective action to eliminate the cause of wheel binding.
- **Do not restart the cutting operation in the workpiece. Let the wheel reach full speed and carefully reenter the cut.** The wheel may bind, walk up or kickback if the power tool is restarted in the workpiece.

- **Support panels or any oversized workpiece to minimize the risk of wheel pinching and kickback.** Large workpieces tend to sag under their own weight. Supports must be placed under the workpiece near the line of cut and near the edge of the workpiece on both sides of the wheel.
- **Use extra caution when making a "pocketcut" into existing walls or other blind areas.** The protruding wheel may cut gas or water pipes, electrical wiring or objects that can cause kickback.

Safety Warnings Specific for Sanding Operations:

- **Do not use excessively oversized sanding disc paper. Follow manufacturers recommendations, when selecting sanding paper.** Larger sanding paper extending beyond the sanding pad presents a laceration hazard and may cause snagging, tearing of the disc or kickback.

Safety Warnings Specific for Wire Brushing Operations:

- **Be aware that wire bristles are thrown by the brush even during ordinary operation. Do not over stress the wires by applying excessive load to the brush.** The wire bristles can easily penetrate light clothing and/or skin.

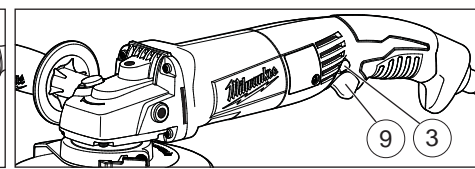
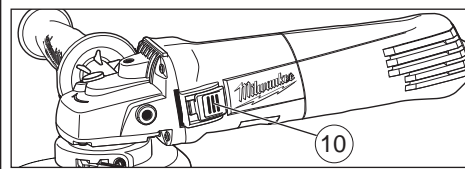
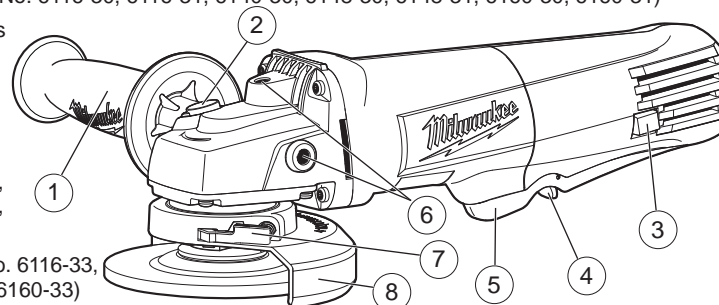
- **If the use of a guard is recommended for wire brushing, do not allow any interference of the wire wheel or brush with the guard.** Wire wheel or brush may expand in diameter due to workload and centrifugal forces.

Additional Safety Warnings

- **Maintain labels and nameplates.** These carry important information. If unreadable or missing, contact a *MILWAUKEE* service facility for a free replacement.
- **WARNING:** Some dust created by power sanding, sawing, grinding, drilling, and other construction activities contains chemicals known to cause cancer, birth defects or other reproductive harm. Some examples of these chemicals are:
 - lead from lead-based paint
 - crystalline silica from bricks and cement and other masonry products, and
 - arsenic and chromium from chemically-treated lumber.
 Your risk from these exposures varies, depending on how often you do this type of work. To reduce your exposure to these chemicals: work in a well ventilated area, and work with approved safety equipment, such as those dust masks that are specially designed to filter out microscopic particles.

FUNCTIONAL DESCRIPTION

1. Side handle
2. Spindle lock
3. Switch lock-on (Cat.No. 6116-30, 6122-30, 6122-30A, 6123-30, 6140-30, 6148-30, 6160-30)
4. Switch lock-off (Cat.No. 6116-30, 6116-31, 6140-30, 6148-30, 6148-31, 6160-30, 6160-31)
5. Paddle switch (Cat.No. 6116-30, 6116-31, 6140-30, 6148-30, 6148-31, 6160-30, 6160-31)
6. Side handle sockets
7. Guard lock lever
8. Type 27 guard
9. Trigger switch (Cat.No. 6122-30, 6122-30A, 6122-31, 6122-31A, 6123-30, 6123-31)
10. Slide switch (Cat.No. 6116-33, 6140-33, 6148-33, 6160-33)



GROUNDING

⚠ WARNING Improperly connecting the grounding wire can result in the risk of electric shock. Check with a qualified electrician if you are in doubt as to whether the outlet is properly grounded. Do not modify the plug provided with the tool. Never remove the grounding prong from the plug. Do not use the tool if the cord or plug is damaged. If damaged, have it repaired by a MILWAUKEE service facility before use. If the plug will not fit the outlet, have a proper outlet installed by a qualified electrician.

Grounded Tools: Tools with Three Prong Plugs

Tools marked "Grounding Required" have a three wire cord and three prong grounding plug. The plug must be connected to a properly grounded outlet (See Figure A). If the tool should electrically malfunction or break down, grounding provides a low resistance path to carry electricity away from the user, reducing the risk of electric shock.

The grounding prong in the plug is connected through the green wire inside the cord to the grounding system in the tool. The green wire in the cord must be the only wire connected to the tool's grounding system and must never be attached to an electrically "live" terminal.

Your tool must be plugged into an appropriate outlet, properly installed and grounded in accordance with all codes and ordinances. The plug and outlet should look like those in Figure A.

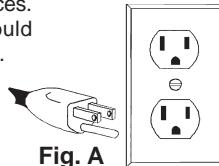


Fig. A

Double Insulated Tools: Tools with Two Prong Plugs

Tools marked "Double Insulated" do not require grounding. They have a special double insulation system which satisfies OSHA requirements and complies with the applicable standards of Underwriters Laboratories, Inc., the Canadian Standard Association and the National Electrical Code. Double Insulated tools may be used in either of the 120 volt outlets shown in Figures B and C.

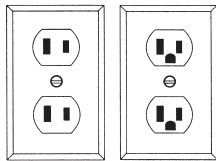


Fig. B

Fig. C

EXTENSION CORDS

Grounded tools require a three wire extension cord. Double insulated tools can use either a two or three wire extension cord. As the distance from the supply outlet increases, you must use a heavier gauge extension cord. Using extension cords with inadequately sized wire causes a serious drop in voltage, resulting in loss of power and possible tool damage. Refer to the table shown to determine the required minimum wire size.

The smaller the gauge number of the wire, the greater the capacity of the cord. For example, a 14 gauge cord can carry a higher current than a 16 gauge cord. When using more than one extension cord to make up the total length, be sure each cord contains at least the minimum wire size required. If you are using one extension cord for more than one tool, add the nameplate amperes and use the sum to determine the required minimum wire size.

Guidelines for Using Extension Cords

- If you are using an extension cord outdoors, be sure it is marked with the suffix "W-A" ("W" in Canada) to indicate that it is acceptable for outdoor use.
- Be sure your extension cord is properly wired and in good electrical condition. Always replace a damaged extension cord or have it repaired by a qualified person before using it.
- Protect your extension cords from sharp objects, excessive heat and damp or wet areas.

Recommended Minimum Wire Gauge for Extension Cords*

Nameplate Amperes	Extension Cord Length				
	25'	50'	75'	100'	150'
0 - 2.0	18	18	18	18	16
2.1 - 3.4	18	18	18	16	14
3.5 - 5.0	18	18	16	14	12
5.1 - 7.0	18	16	14	12	12
7.1 - 12.0	16	14	12	10	
12.1 - 16.0	14	12	10		
16.1 - 20.0	12	10			

* Based on limiting the line voltage drop to five volts at 150% of the rated amperes.

**READ AND SAVE ALL
INSTRUCTIONS FOR
FUTURE USE.**

Specifications

Cat. No.	Volts AC	Amps	No Load RPM	Spindle Thread Size	Wheel Size
6122-30	120	10	10,000	5/8"-11	4½"
6122-30A	120	10	10,000	5/8"-11	5"
6122-31	120	10	10,000	5/8"-11	4½"
6122-31A	120	10	10,000	5/8"-11	5"
6140-30	120	7.5	10,000	5/8"-11	4½"
6140-33	120	7	10,000	5/8"-11	4½"
6148-30	120	10	10,000	5/8"-11	4½"
6148-31	120	10	10,000	5/8"-11	4½"
6148-33	120	10	10,000	5/8"-11	4½"
6116-30	120	12	10,000	5/8"-11	4½"/5"
6116-31	120	12	10,000	5/8"-11	4½"/5"
6116-33	120	12	10,000	5/8"-11	4½"/5"
6160-30	120	12	9,000	5/8"-11	6"
6160-31	120	12	9,000	5/8"-11	6"
6160-33	120	12	9,000	5/8"-11	6"
6123-30	120	12	9,000	5/8"-11	5"/6"
6123-31	120	12	9,000	5/8"-11	5"/6"

Symbology

	Double Insulated
	Volts Alternating Current
	Amps
$n_0 \text{ xxx} \text{ min.}^{-1}$	No Load Revolutions per Minute (RPM)
	Underwriters Laboratories, Inc. United States and Canada
	Mexican Approvals Marking

ASSEMBLY

⚠ WARNING To reduce the risk of injury, always unplug tool before attaching or removing accessories or making adjustments. Use only specifically recommended accessories. Others may be hazardous.

Installing Side Handle

The side handle may be installed on either side (all models) or the top (select models) of the gear case. Position the side handle in the location which offers best control and guard protection. To install, thread side handle into side handle socket and tighten securely.

⚠ WARNING To reduce the risk of injury when grinding:

- ALWAYS use the proper guard.
- ALWAYS properly install the guard.
- ALWAYS hold the tool firmly with both hands using the handles provided before and during grinding.
- NEVER use a wheel that has been dropped.
- NEVER bang grinding disc onto work.
- NEVER grind without proper safety equipment.

Installing, Removing and Adjusting the Guard

This tool is shipped with a guard. The guard must be used when using the tool as a grinder. The guard may be removed when using tool as a sander.

1. To **remove** the guard, unplug tool and remove any accessories from spindle.
2. Press in the lock lever and rotate the guard to line up the tabs on the grinder with the slots in the guard.
3. Press in the lock lever and lift the guard straight up and away from the tool.
4. To **install** the guard, unplug the tool and remove any accessories from the spindle.
5. Line up the tabs on the grinder with the slots in the guard.
6. Press in the lock lever and press the guard onto the tool.
7. To **adjust** the guard, press in the lock lever and rotate the guard to one of five detent slots.

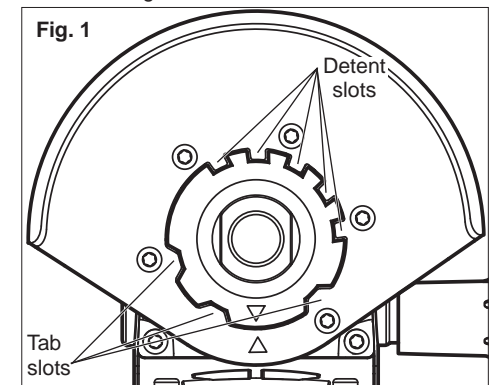


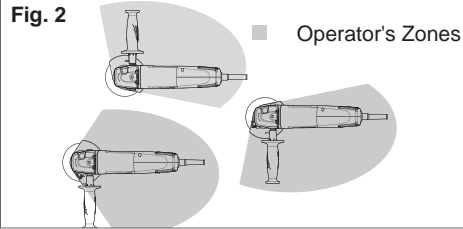
Fig. 1

WARNING Only use accessories with **Maximum Safe Operating Speed** rated at least equal to the maximum speed marked on the power tool. This speed is based on the strength of the wheel, allowing for a reasonable measure of safety. It is not meant to imply a best or most efficient operating speed. Do not exceed the **Maximum Safe Operating Speed**.

Installing/Removing Accessories

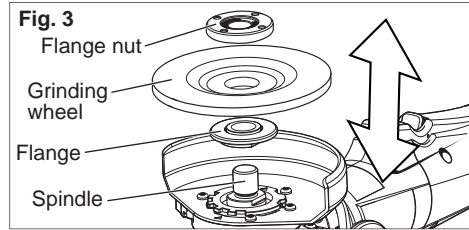
Make sure the grinding wheel does not extend beyond the bottom of the guard. Threaded hub grinding wheels may require a deeper guard (see "Accessories").

1. Unplug the tool.
2. Properly position the guard (Fig. 2).

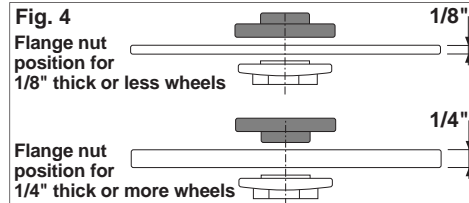


3. Wipe the flange, flange nut and spindle to remove dust and debris. Inspect the parts for damage. Replace if needed.

4. Place the flange on spindle, as shown.



5. Place the selected wheel on the spindle and align it with the flange.
6. Position the flange nut over the spindle according to wheel thickness (Fig. 4).



7. Press in the spindle lock button while turning the flange nut clockwise. Tighten securely using a spanner wrench.
8. To **remove** wheel, unplug the tool and reverse the procedure.

OPERATION

WARNING To reduce the risk of injury, always unplug tool before attaching or removing accessories or making adjustments. Use only specifically recommended accessories. Others may be hazardous.

WARNING To reduce the risk of injury, wear safety goggles or glasses with side shields.

Controlled Start (6116-30, 6116-31, 6116-33, 6123-30, 6123-31, 6160-30, 6160-31, 6160-33)
The controlled start feature reduces the torque reaction "jerk" when its trigger is pulled.

Constant Speed Tachometer (6116-30, 6116-31, 6116-33, 6123-30, 6123-31, 6160-30, 6160-31, 6160-33)

The constant speed tachometer keeps the tool's revolutions per minute at an almost constant speed even under load. The tachometer also helps prevent tool overheating. The tool switches itself off automatically when the motor is overloaded. If this happens, release the trigger to reset. Pull the trigger and continue work.

Slide Switch Operation (6116-33, 6140-33, 6148-33, 6160-33)

To **start** the tool, grasp the handle and side handle firmly and slide the switch to ON.

To **stop** the tool, release the switch. Make sure the tool comes to a complete stop before laying the tool down.

To **lock-on** the switch, slide the switch to ON and press down on the front of the switch. To stop the tool, press and release the switch. Make sure the tool comes to a complete stop before laying it down.

Paddle Switch Operation (6116-30, 6116-31, 6140-30, 6148-30, 6148-31, 6160-30, 6160-31)

To **start** the tool, grasp the handle and side handle firmly. Pull the lock-off button back and squeeze the paddle switch.

To **stop** the tool, release the paddle switch. Make sure the tool comes to a complete stop before laying the tool down.

To **lock-on** the switch (6116-30, 6140-30, 6148-30, 6160-30 only), start the tool and push in the lock-on button. To stop the tool, squeeze and release the paddle switch. Make sure the tool comes to a complete stop before laying the tool down.

Trigger Switch Operation (6122-30, 6122-30A, 6122-31, 6122-31A, 6123-30, 6123-31)

To **start** the tool, grasp the handle and side handle firmly and pull the trigger.

To **stop** the tool, release the trigger. Make sure the tool comes to a complete stop before laying the tool down.

To **lock-on** the switch (6122-30, 6122-30A, 6123-30 only), start the tool and push in the lock-on button. To stop the tool, pull and release the trigger. Make sure the tool comes to a complete stop before laying it down.

General Operation

1. If you have just installed an accessory or are beginning a period of work, test it by letting it spin for one minute before applying it to the workpiece. Out-of-balance or damaged accessories can mar workpiece, damage the tool, and cause stress that may cause accessory failure.
2. Use a clamp, vise or other practical means to hold your work, freeing both hands to control the tool.
3. Hold tool securely with both hands.
4. Start the tool.
5. Allow accessory to come to full speed before beginning work.
6. Control pressure and surface contact between accessory and workpiece. Too much pressure slows speed.
7. When finished, turn off the tool and make sure it comes to a complete stop before laying it down.

USING GRINDING WHEELS

WARNING To reduce the risk of injury, the operator should be instructed in the use, care and protection of grinding wheels.

Grinding Wheel Selection

Use grinding wheels, and accessories that are:

- correct size as written on tool's nameplate.
- rated at or above the RPM listed on the tool's nameplate.
- correct accessory, wheel type and grit for the job.

Grinding is the cutting action of thousands of abrasive grains on the face of a grinding wheel. When grinding metals such as steel and iron, choose an aluminum oxide grinding wheel. Select a silicon carbide grinding wheel for stone and concrete. Use cotton reinforced wheels for non-ferrous metals.

Type 27 Reinforced 1/8" thick or less Cut-Off Wheels are suited for small cut-off and shallow notching operations only. Always handle wheels carefully to avoid damage. Before installing any wheel, always inspect it for cracks. If wheel is cracked, discard it to prevent others from using it.

Care of Grinding & Cut-Off Wheels

Grinding/cut-off wheels should be protected from:

- wetness and extreme humidity
- any type of solvent
- extreme changes in temperature
- dropping and bumping

Grinding and cut-off wheels should be stored:

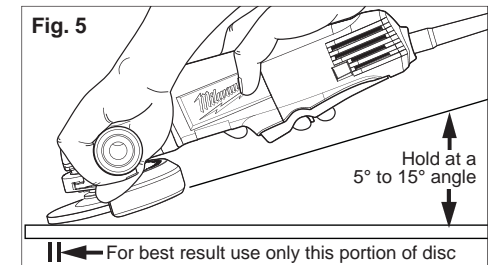
- in an organized way so wheels can be removed without disturbing or damaging other wheels
- with their safety information

Grinding and cut-off wheels should NOT be dropped, rolled or bumped.

Discard wheels that have been dropped, rolled, bumped, subjected to extreme changes in temperature, or come into contact with solvents or wetness.

Grinding

When grinding, hold tool at a 5° to 15° angle, using constant pressure for a uniform finish. Too great an angle causes concentrated pressure on small areas which may gouge or burn work surface.

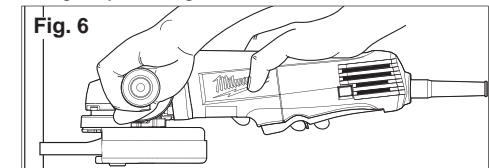


USING CUT-OFF WHEELS

WARNING A Type "1" guard must be installed when using a cut-off wheel to provide maximum protection for the operator if the wheel should break.

Type "1" Cut-Off Wheels are suited for small cut-off and shallow notching operations only.

When using a cut-off wheel, hold the tool as shown, using only the edge of the wheel.



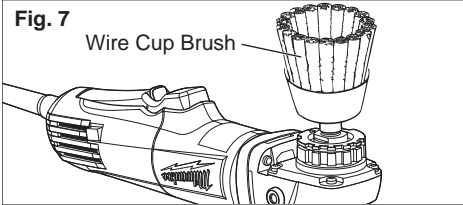
WARNING Using the face of a Cut-Off Wheel (as in grinding) will cause the Wheel to crack and break, resulting in serious personal injury.

USING WIRE BRUSHES

WARNING Everyone in the area must wear protective clothing and safety goggles or face shields. Fatigued wires and residue will fly off the brush with considerable force, causing potential for serious injury.

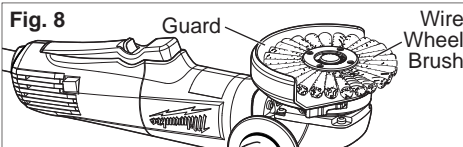
Wire brushes are useful for removing rust, scale, burrs, weld slag, etc.

Always install wire cup brushes according to the accessory manufacturer's instructions.



WARNING Because the wires on wire wheel brushes are directed towards the operator, a guard must be used to protect the operator when fatigued wires break.

When using a wire wheel brush, install guard according to "Installing/Removing Accessories".



Test wheel for balance and loose or damaged wires by letting it spin for one minute before applying it to the workpiece. During this time, no one should stand in front of or in line with it.

Control pressure and surface contact between wheel and workpiece. Too much pressure causes over-bending of wires and heat build-up causing premature wire breaking, rapid dulling and reduced brush life. Instead of more pressure, try a wire wheel with more aggressive cutting action (increased wire size, decreased wire length or different brush type (knot type vs. crimped wire type)).

WARNING Never exceed Maximum Safe Operating Speed of brush. Do not use a damaged brush or one that is functioning improperly (throwing wires, out-of-balance, etc.). These conditions increase the possibility of further brush failure and possible injury. Discard and replace damaged brushes immediately.

USING SANDING DISCS

Sanding Disc Selection

Use sanding discs and accessories that are:

- correct size as written on tool's nameplate.
- rated at or above the RPM listed on the tool's nameplate.
- correct accessory, wheel type and grit for the job.

Refer to the table below to select the correct type of sanding disc for your job. Generally, use 24 or 36 grit for heavy stock removal; 50, 60, or 80 grit for medium stock removal and 120 grit for finishing. Always begin with a coarse grit, using successively finer grits to obtain the desired finish. See your MILWAUKEE Electric Tool Catalog for a complete list of sanding discs.

Aluminum Oxide

For fast cutting, general purpose discs for most metal jobs. Best for cold-rolled steel, stainless steel or metals requiring tough, fast cutting, long lasting abrasives.

Aluminum Zirconia Bi-Cut

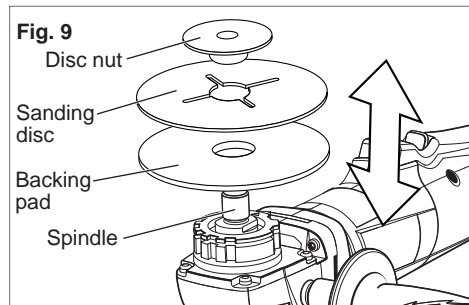
Unique grit pattern is arranged in clusters for faster stock removal and cleaning. Ideal for removing paint from cars, boats, etc. without clogging.

Ceramic

Lasts up to 3 times longer than Aluminum Oxide Discs. For general metal working. Ideal for tough jobs.

Installing Backing Pad and Sanding Discs

1. Unplug the tool.
2. Wipe the accessories, disc nut and spindle to remove dust and debris. Inspect the parts for damage. Replace if needed.
3. Slip backing pad onto spindle with flat side away from gear case.



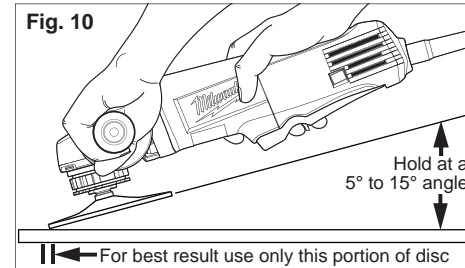
4. Place sanding disc on backing pad and secure assembly to spindle with disc nut.

5. To tighten, press the spindle lock button while turning disc nut clockwise with the spanner wrench provided.
6. To remove backing pad and sanding disc, unplug the tool and reverse the procedure.

Sanding

Hold tool at 5° to 15° angle to ensure proper sanding pressure and control. Too great an angle will result in too much pressure and could cause excessive wear to the disc and workpiece. Too small an angle will reduce control.

Use long, sweeping, side to side strokes, advancing forward to produce the desired finish.



Cross Sanding

When finishing a surface that has been prepared by a coarse disc or wheel, sand at right angles to the strokes made by the coarser disc. Finishing marks left from previous sanding are easily seen and removed for a uniform finish. Failure to cross sand when changing from a coarse disc to a finishing disc may result in deep scratches and circular marks.

MAINTENANCE

WARNING To reduce the risk of injury, always unplug your tool before performing any maintenance. Never disassemble the tool or try to do any rewiring on the tool's electrical system. Contact a MILWAUKEE service facility for ALL repairs.

Maintaining Tools

Keep your tool in good repair by adopting a regular maintenance program. Before use, examine the general condition of your tool. Inspect guards, switches, tool cord set and extension cord for damage. Check for loose screws, misalignment, binding of moving parts, improper mounting, broken parts and any other condition that may affect its safe operation. If abnormal noise or vibration occurs, turn the tool off immediately and have the problem corrected before further use. Do not use a damaged tool. Tag damaged tools "DO NOT USE" until repaired (see "Repairs").

Removing Welds or Hammer Marks

When removing welds or hammer marks, limit coarse sanding to the immediate area. Use successively finer grits to smooth surface.

Finishing Metal

Constantly move across the surface. Work faster on curved surfaces where contact areas are smaller and pressure is greater. Flat areas may appear at the end of the stroke when pressure is too heavy. Ease up on pressure at end of each stroke and when reversing strokes.

Troubleshooting

Deep scratches and circular marks can result from:

- Using too coarse a grit
- Using a partially glazed disc
- Dirt or loose metal on the workpiece
- Failure to sand across the grain when changing from coarse to finishing discs
- Failure to use closed coated discs to reduce the problem of grains working loose and scratching the workpiece

Bluish discoloration of metal surface indicates:

- Excessive heat caused by circular motion in a small area
- Excessive pressure
- Use of worn out or glazed discs

Under normal conditions, relubrication is not necessary until the motor brushes need to be replaced. After six months to one year, depending on use, return your tool to the nearest MILWAUKEE service facility for the following:

- Lubrication
- Brush inspection and replacement
- Mechanical inspection and cleaning (gears, spindles, bearings, housing, etc.)
- Electrical inspection (switch, cord, armature, etc.)
- Testing to assure proper mechanical and electrical operation

WARNING To reduce the risk of injury, electric shock and damage to the tool, never immerse your tool in liquid or allow a liquid to flow inside the tool.

Cleaning

Clean dust and debris from vents. Keep the tool handles clean, dry and free of oil or grease. Use only mild soap and a damp cloth to clean your tool since certain cleaning agents and solvents are harmful to plastics and other insulated parts. Some of these include: gasoline, turpentine, lacquer thinner, paint thinner, chlorinated cleaning solvents, ammonia and household detergents containing ammonia. Never use flammable or combustible solvents around tools.

Repairs

If your tool is damaged, return the entire tool to the nearest service center.

FIVE YEAR TOOL LIMITED WARRANTY

Every MILWAUKEE electric power tool (including battery charger) is warranted to the original purchaser only to be free from defects in material and workmanship. Subject to certain exceptions, MILWAUKEE will repair or replace any part on an electric power tool which, after examination, is determined by MILWAUKEE to be defective in material or workmanship for a period of five (5) years* after the date of purchase. Return the electric power tool and a copy of proof of purchase to a MILWAUKEE factory Service/Sales Support Branch location or MILWAUKEE Authorized Service Station, freight prepaid and insured, are requested for this warranty to be effective. This warranty does not apply to damage that MILWAUKEE determines to be from repairs made or attempted by anyone other than MILWAUKEE authorized personnel, misuse, alterations, abuse, normal wear and tear, lack of maintenance, or accidents.

* The warranty period for Hoists (lever, hand chain, & electric chain hoists), all Ni-CD battery packs, Work Lights (cordless flashlights), Job Site Radios, and Trade Titan™ Industrial Work Carts is one (1) year from the date of purchase. *The warranty period for Li-Ion battery packs that do not contain V™-technology – 4.0 volts through 18.0 volts - is two (2) years from the date of purchase.

*There is a separate warranty for V™-technology Li-Ion Battery Packs V™18 volts and above that accompany V™-technology cordless power tools:

*Every MILWAUKEE V™-technology Li-Ion Battery Pack 18 volts or above is covered by an initial 1000 Charges/2 Years free replacement warranty. This means that for the earlier of the first 1000 charges or two (2) years from the date of purchase/first charge, a replacement battery will be provided to the customer for any defective battery free of charge. Thereafter, customers will also receive an additional warranty on a pro rata basis up to the earlier of the first 2000 charges or five (5) Years from the date of purchase/first charge. This means that every customer gets an additional 1000 charges or three (3) years of pro rata warranty on the V™-technology Li-Ion Battery Pack 18 volts or above depending upon the amount of use. During this additional warranty period, the customer pays for only the useable service received over and above the first 1000 Charges/2 years, based on the date of first charge and number of charges found on the battery pack via Milwaukee's V™-technology Service Reader.

Warranty Registration is not necessary to obtain the applicable warranty on a MILWAUKEE product. The manufacturing date of the product will be used to determine the warranty period if no proof of purchase is provided at the time warranty service is requested.

ACCEPTANCE OF THE EXCLUSIVE REPAIR AND REPLACEMENT REMEDIES DESCRIBED HEREIN IS A CONDITION OF THE CONTRACT FOR THE PURCHASE OF EVERY MILWAUKEE PRODUCT. IF YOU DO NOT AGREE TO THIS CONDITION, YOU SHOULD NOT PURCHASE THE PRODUCT. IN NO EVENT SHALL MILWAUKEE BE LIABLE FOR ANY INCIDENTAL, SPECIAL, CONSEQUENTIAL OR PUNITIVE DAMAGES, OR FOR ANY COSTS, ATTORNEY FEES, EXPENSES, LOSSES OR DELAYS ALLEGED TO BE AS A CONSEQUENCE OF ANY DAMAGE TO, FAILURE OF, OR DEFECT IN ANY PRODUCT INCLUDING, BUT NOT LIMITED TO, ANY CLAIMS FOR LOSS OF PROFITS. THIS WARRANTY IS EXCLUSIVE AND IN LIEU OF ALL OTHER WARRANTIES OR CONDITIONS, WRITTEN OR ORAL, EXPRESSED OR IMPLIED. WITHOUT LIMITING THE GENERALITY OF THE FOREGOING, MILWAUKEE DISCLAIMS ANY IMPLIED WARRANTY OF MERCHANTABILITY OR FITNESS FOR A PARTICULAR USE OR PURPOSE, AND ALL OTHER WARRANTIES.

This warranty applies to product sold in the U.S.A., Canada and Mexico only.

Please consult the 'Service Center Search' in the Parts & Service section of MILWAUKEE's web-site www.milwaukeetool.com or call 1.800.SAWDUST (1.800.729.3878) to locate your nearest service facility for warranty and non-warranty service on a MILWAUKEE electric power tool.

ACCESSORIES

⚠ WARNING To reduce the risk of injury, always unplug the tool before attaching or removing accessories. Use only specifically recommended accessories. Others may be hazardous.

For a complete listing of accessories refer to your MILWAUKEE Electric Tool catalog or go on-line to www.milwaukeetool.com. To obtain a catalog, contact your local distributor or a service center.

RÈGLES DE SÉCURITÉ GÉNÉRALES RELATIVES AUX OUTILS ÉLECTRIQUES

⚠ AVERTISSEMENT

LIRE TOUTES LES RÈGLES ET INSTRUCTIONS DE SÉCURITÉ.

Ne pas suivre l'ensemble des règles et instructions peut entraîner une électrocution, un incendie ou des blessures graves.

Conservé les règles et les instructions à des fins de référence ultérieure.

Le terme «outil électrique» figurant dans les avertissements ci-dessous renvoie à l'outil électrique à alimentation par le réseau (à cordon) ou par batterie (sans fil).

SÉCURITÉ DU LIEU DE TRAVAIL

- **Maintenir la zone de travail propre et bien éclairée.** Les zones encombrées ou mal éclairées sont favorables aux accidents.
- **Ne pas utiliser d'outil électrique dans une atmosphère explosive, telle qu'en en présence de liquides, de gaz ou de poussières inflammables.** Les outils électriques génèrent des étincelles qui peuvent enflammer les poussières ou les fumées.
- **Tenir les enfants et les personnes non autorisées à l'écart pendant le fonctionnement d'un outil électrique.** Un manque d'attention de l'opérateur risque de lui faire perdre le contrôle de l'outil.

SÉCURITÉ ÉLECTRIQUE

- **La fiche de l'outil électrique doit correspondre à la prise d'alimentation. Ne jamais modifier la fiche d'une manière quelconque. Ne pas utiliser d'adaptateur avec les outils électriques mis à la terre (à la masse).** Des fiches non modifiées et des prises d'alimentation assorties réduisent le risque de choc électrique.
- **Éviter tout contact corporel avec des surfaces reliées à la masse ou à la terre telles que tuyaux, radiateurs, cuisinières et réfrigérateurs.** Un risque de choc électrique plus élevé existe si le corps est relié à la masse ou à la terre.
- **Ne pas exposer les outils électriques à la pluie ou à l'humidité.** Le risque de choc électrique augmente si de l'eau s'infiltré dans un outil électrique.
- **Prendre soin du cordon. Ne jamais utiliser le cordon pour transporter, tirer ou débrancher l'outil électrique. Tenir le cordon à l'écart de la chaleur, des huiles, des arêtes coupantes ou des pièces en mouvement.** Un cordon endommagé ou emmêlé présente un risque accru de choc électrique.
- **Se procurer un cordon d'alimentation approprié en cas d'utilisation d'un outil électrique à l'extérieur.** L'utilisation d'un cordon d'alimentation pour usage extérieur réduit le risque de choc électrique.
- **S'il est nécessaire d'utiliser l'outil électrique dans un endroit humide, installer un appareil**

à courant résiduel (RCD). L'utilisation d'un RCD réduit le risque de décharge électrique.

SÉCURITÉ INDIVIDUELLE

- **Être sur ses gardes, être attentif et faire preuve de bon sens en utilisant un outil électrique. Ne pas utiliser un outil électrique en cas de fatigue ou sous l'influence de drogues, d'alcool ou de médicaments.** Un instant d'inattention lors de l'utilisation d'un outil électrique peut entraîner des blessures graves.
- **Porter l'équipement de protection requis. Toujours porter une protection oculaire.** Selon les conditions, porter aussi un masque anti-poussières, des bottes de sécurité antidérapantes, un casque protecteur ou une protection auditive afin de réduire les blessures.
- **Empêcher les démarrages accidentels. S'assurer que la gâchette est en position d'arrêt avant de brancher l'outil à une source de courant, d'insérer la batterie, de le ramasser ou de le transporter.** Le fait de transporter l'outil en gardant le doigt sur la gâchette ou de le brancher lorsque la gâchette est en position de marche favorise les accidents.
- **Retirer toute clé de réglage avant de mettre l'outil sous tension.** Une clé laissée attachée sur une pièce mobile de l'outil électrique peut entraîner des blessures.
- **Ne pas travailler à bout de bras. Bien garder un bon équilibre à tout instant.** Ceci permet de mieux préserver la maîtrise de l'outil électrique dans des situations imprévues.
- **Porter des vêtements adéquats. Ne pas porter de vêtements amples ni de bijoux. Ne pas approcher les cheveux, vêtements et gants des pièces en mouvement.** Les vêtements amples, les bijoux ou les cheveux longs risquent d'être happés par les pièces en mouvement.
- **Si des dispositifs sont prévus pour l'extraction et la récupération des poussières, vérifier qu'ils sont connectés et utilisés correctement.** L'utilisation de ces dispositifs peut réduire les risques liés aux poussières.

UTILISATION ET ENTRETIEN DE L'OUTIL ÉLECTRIQUE

- **Ne pas forcer l'outil électrique. Utiliser l'outil**

électrique approprié à l'application considérée. L'outil électrique adapté au projet considéré produira de meilleurs résultats, dans des conditions de sécurité meilleures, à la vitesse pour laquelle il a été conçu.

- **Ne pas utiliser l'outil électrique si le commutateur ne le met pas sous ou hors tension.** Tout outil électrique dont le commutateur de marche-arrêt est inopérant est dangereux et doit être réparé.
- **Débrancher la fiche de la prise d'alimentation et/ou la batterie de l'outil électrique avant d'effectuer des réglages, de changer d'accessoires ou de ranger l'outil.** De telles mesures de sécurité préventive réduisent le risque de mettre l'outil en marche accidentellement.
- **Ranger les outils électriques inutilisés hors de la portée des enfants et ne pas laisser des personnes qui connaissent mal les outils électriques ou ces instructions utiliser ces outils.** Les outils électriques sont dangereux dans les mains d'utilisateurs non formés à leur usage.
- **Entretien des outils électriques. S'assurer de l'absence de tout désalignement ou de grippage des pièces mobiles, de toute rupture de pièce ou de toute autre condition qui pourrait affecter le bon fonctionnement de l'outil électrique. En cas de dommages, faire réparer l'outil avant de l'utiliser de nouveau.** Les outils électriques mal entretenus sont à la source de nombreux accidents.
- **Garder les outils de coupe affûtés et propres.** Les outils de coupe correctement entretenus et bien affûtés risquent moins de se gripper et sont plus faciles à manier.
- **Utiliser l'outil électrique, les accessoires, les grains etc. conformément à ces instructions en tenant compte des conditions de travail et de la tâche à effectuer.** L'utilisation de cet outil électrique pour effectuer une opération pour laquelle il n'est pas conçu peut occasionner une situation dangereuse.

ENTRETIEN

- **Faire effectuer l'entretien de l'outil électrique par un technicien qualifié qui n'utilisera que des pièces de rechange identiques.** La sécurité d'utilisation de l'outil en sera préservée.

RÈGLES DE SÉCURITÉ SPÉCIFIQUES

Règles de sécurité générales pour le meulage des pièces, le nettoyage à l'aide d'une brosse métallique ou le découpage à l'abrasif :

- **Cet outil électrique est conçu pour servir de meuleuse, de ponceuse, de brosse métallique ou d'outil de coupe. Lire tous les avertissements et toutes les instructions, les illustrations et**

les caractéristiques fournis avec cet outil électrique. Ne pas suivre l'ensemble des instructions décrites ci-dessous peut entraîner une électrocution, un incendie ou des blessures graves.

- **Il n'est pas recommandé d'utiliser cet outil électrique pour polir des pièces.** Le fait d'utiliser l'outil pour effectuer des tâches pour lesquelles il n'est pas conçu peut présenter un risque et entraîner des blessures.
- **Ne pas utiliser des accessoires qui ne sont pas spécialement conçus pour le modèle d'outil ou qui ne sont pas recommandés par le fabricant.** Le simple fait qu'un accessoire peut s'ajuster sur l'outil électrique ne signifie pas qu'il peut être utilisé en toute sécurité.
- **La vitesse nominale de l'accessoire doit au moins être égale à la vitesse maximale indiquée sur l'outil électrique. Les accessoires qui sont utilisés à une vitesse supérieure à leur vitesse nominale peuvent se briser et se détacher.**
- **Le diamètre extérieur et l'épaisseur de l'accessoire doivent être conformes à la capacité de l'outil électrique.** Il est impossible de protéger ou de contrôler adéquatement un accessoire de dimension inappropriée.
- **La taille de l'arbre des meules, des brides, des plateaux porte-disque ou de tout autre accessoire doit convenir parfaitement à la broche de l'outil électrique.** Si les accessoires utilisés sont dotés d'alésages centraux qui ne conviennent pas à la pièce de montage de l'outil, ils se déstabiliseront, vibreront de façon excessive et pourront causer une perte de contrôle.
- **Ne pas utiliser un accessoire endommagé. Inspecter l'accessoire avant chaque utilisation afin de s'assurer que les meules, par exemple, sont exemptes d'ébréchures et de fissures, que le plateau porte-disque est exempt de fissures et qu'il n'est pas usé de façon excessive, et que la brosse métallique ne comprend pas de fils détachés ou craquelés. Si l'outil électrique ou l'accessoire est échappé, s'assurer qu'il n'est pas endommagé ou installer un autre accessoire. Après avoir effectué cette opération, se tenir à distance de l'accessoire en rotation et faire fonctionner l'outil à sa vitesse à vide maximale pendant une minute. S'assurer que personne ne se tient à proximité de l'outil.** Les accessoires endommagés se brisent généralement lors de cette vérification.
- **Porter de l'équipement de protection de qualité professionnelle. Selon le type d'opération, porter un masque de protection ou des lunettes de sécurité. Au besoin, porter également un masque anti-poussières, un protecteur d'oreille, des gants et un tablier d'atelier résistant aux petits fragments abrasifs ou aux fragments provenant des pièces à travailler. La**

protection oculaire utilisée doit résister aux débris projetés lors des différentes opérations. Le masque anti-poussières et le masque filtrant doivent filtrer les particules produites lors de l'opération. Une exposition prolongée à un bruit fort peut entraîner une perte auditive.

- **S'assurer que personne ne se tient à proximité du lieu de travail. Toute personne qui entre sur le lieu de travail doit porter l'équipement de protection requis.** Des fragments provenant de la pièce à travailler ou d'un accessoire brisé peuvent être projetés et causer des blessures, même à des personnes se tenant à une certaine distance du lieu de travail immédiat.
- **Tenir l'outil par ses surfaces de préhension isolées lors des opérations pendant lesquelles l'accessoire de coupe peut entrer en contact avec du câblage caché ou avec son propre cordon d'alimentation.** Le contact avec un fil sous tension « électrifié » les pièces métalliques exposées de l'outil et peut électrocuter l'utilisateur.
- **Tenir le cordon loin de l'accessoire en rotation.** En cas de perte de contrôle, le cordon peut être coupé ou accroché, et la main ou le bras de l'utilisateur risquent d'entrer en contact avec l'accessoire en rotation.
- **Ne jamais déposer l'outil électrique avant l'arrêt complet de l'accessoire.** L'accessoire en rotation peut accrocher la surface et occasionner une perte de contrôle.
- **Ne jamais laisser l'outil électrique fonctionner en le transportant à ses côtés.** L'accessoire en rotation peut s'accrocher accidentellement aux vêtements et entrer en contact avec l'utilisateur.
- **Nettoyer régulièrement les événements d'aération de l'outil électrique.** Le ventilateur du moteur aspire la poussière dans le logement et crée une accumulation excessive de métal fritté, ce qui peut causer un risque électrique.
- **Ne pas faire fonctionner l'outil électrique à proximité de matériaux inflammables.** Les étincelles peuvent enflammer ces matériaux.
- **Ne pas utiliser d'accessoires qui nécessitent des liquides de refroidissement.** L'utilisation d'eau ou d'un autre liquide de refroidissement peut entraîner une électrocution ou un choc électrique.

REBONDS ET AVERTISSEMENTS CONNEXES
Un rebond est une réaction soudaine attribuable au pincement ou à l'accrochage de la meule, du plateau porte-disque, de la brosse ou de tout autre accessoire en rotation. Un pincement ou un accrochage provoque le blocage immédiat de l'accessoire en rotation qui, à son tour, entraîne l'outil incontrôlé dans le sens opposé à la rotation de l'accessoire, à l'endroit du coincement.

Par exemple, si une meule abrasive est accrochée ou pincée par la pièce à travailler, le rebond de la

meule qui entre dans le point de pincement peut s'enfoncer dans la surface du matériau, éjectant la meule de la pièce à travailler ou la faisant rebondir, vers l'utilisateur ou loin de lui, selon le sens du mouvement de la meule au point de pincement. Dans ces conditions d'utilisation, les meules abrasives peuvent également se briser.

Un rebond est attribuable à une mauvaise utilisation de l'outil ou au non-respect des procédures ou des conditions d'utilisation. Pour empêcher les rebonds, respecter les directives décrites ci-dessous.

- **Tenir fermement l'outil électrique et placer le corps et les mains de manière à pouvoir résister aux rebonds. Toujours utiliser la poignée auxiliaire, s'il y en a une, pour assurer un contrôle optimal en cas de rebond ou de réaction de couple lors du démarrage de l'outil.** L'utilisateur peut contrôler les rebonds et les réactions de couple s'il respecte les directives prescrites.
- **Ne jamais placer les mains à proximité de l'accessoire en rotation.** En cas de rebond, l'accessoire peut dévier sur celles-ci.
- **Ne pas positionner le corps à l'endroit où sera entraîné l'outil électrique si un rebond se produit.** Un rebond entraînera l'outil dans le sens opposé au mouvement de la meule, à l'endroit de l'accrochage.
- **Faire preuve d'une extrême prudence au moment d'utiliser l'outil sur des coins ou des rebords tranchants.** Les coins, les rebords tranchants et les surfaces rebondissantes ont tendance à s'accrocher à la pièce en rotation et à causer une perte de contrôle ou des rebonds.
- **Ne pas fixer une lame de sculpteur pour scie à chaîne ou une lame de scie dentée.** Ces deux types de lame occasionnent de nombreux rebonds et des pertes de contrôle fréquentes.

Règles de sécurité particulières pour Meulage et tronçonnage à la meule :

- **Utiliser seulement les types de meule recommandés pour cet outil électrique et le protège disque spécialement conçu pour la meule utilisée.** Il est impossible de protéger de façon adéquate les meules qui ne sont pas spécialement conçues pour l'outil électrique. De plus, elles ne sont pas sécuritaires.
- **Le protège disque doit être fixé solidement à l'outil électrique et positionné de manière à garantir une sécurité optimale; il importe donc de diriger le moins possible la meule vers l'utilisateur.** Le protège disque aide à protéger l'utilisateur des fragments qui peuvent se détacher de la meule et du contact accidentel avec la meule.
- **Utiliser seulement les meules pour effectuer des opérations pour lesquelles elles sont conçues. Par exemple, ne pas meuler avec le côté d'une**

meule à tronçonner. Les meules à tronçonner abrasives doivent être utilisées pour la rectification périphérique. Le fait d'appliquer une force latérale sur les meules peut provoquer leur bris.

• **Toujours utiliser des brides de meules non endommagées de formes et de dimensions convenables.** Les brides de meules adéquates soutiennent la meule, ce qui minimise les risques de bris de la meule. Les brides des meules à tronçonner peuvent différer des brides de meules standards.

• **Ne pas utiliser de meules usées qui proviennent d'outils électriques de plus grandes dimensions.** Les meules conçues pour des outils électriques de plus grandes dimensions ne conviennent pas à la vitesse plus élevée des outils de plus petite dimension et peuvent éclater.

Règles de sécurité particulières pour Tronçonnage à la meule :

• **S'assurer que la meule à tronçonner ne se coince pas et éviter d'appliquer trop de pression. Ne pas régler la meule à une profondeur de coupe excessive.** Le fait d'appliquer trop de pression sur la meule augmente la charge, la tendance de la meule à se tordre ou à se coincer pendant la coupe, ainsi que les risques de rebond ou de bris de la meule.

• **Ne pas se tenir vis-à-vis de la meule en rotation ou derrière celle-ci.** Pendant l'opération, lorsque la meule s'éloigne de l'utilisateur, un rebond pouvant projeter la meule en rotation et l'outil électrique directement vers l'utilisateur peut se produire.

• **Si la meule se coince ou si l'opération de coupe est interrompue pour une raison quelconque, éteindre l'outil électrique et le maintenir immobile jusqu'à ce que la meule s'arrête complètement. Ne jamais tenter de retirer la meule à tronçonner lorsque celle-ci est en mouvement afin d'éviter qu'un rebond ne se produise.** Examiner la situation et trouver une solution qui permettra d'éviter que la meule ne se coince.

• **Ne pas remettre en marche l'outil si celui-ci est dans la pièce à travailler. Permettre à la meule d'atteindre sa vitesse maximale puis la réinsérer dans le trait de coupe avec précaution.** La meule risque de se coincer, de se soulever ou de rebondir si cette précaution n'est pas prise.

• **Soutenir les panneaux ainsi que toute pièce à travailler surdimensionnée afin de minimiser les risques de pincement de la meule et de rebond.** Les pièces à travailler de grandes dimensions ont tendance à fléchir sous leur propre poids. Il importe donc de disposer des supports sous la pièce à travailler, près du trait de coupe ainsi que du rebord de la pièce à travailler, des deux côtés de la meule.

• **Faire preuve d'une grande prudence au moment d'effectuer une coupe de petite dimension dans un mur ou à tout autre endroit où la visibilité est réduite.** La meule sortante peut couper les conduites d'eau ou de gaz, le câblage électrique, ainsi que tout autre objet pouvant provoquer un rebond.

Règles de sécurité particulières pour Ponçage :

• **Ne pas utiliser un papier pour disque abrasif surdimensionné. Suivre les recommandations du fabricant au moment de choisir le papier abrasif.** Un papier abrasif qui excède la surface du patin de ponçage présente un risque de laceration et peut entraîner un accrochage, le déchirement du disque ou un rebond.

Règles de sécurité particulières pour Utilisation d'une brosse métallique :

• **Porter une attention particulière à la brosse métallique, dont les poils peuvent être projetés même pendant une opération régulière. Éviter d'appliquer trop de pression sur les poils en appuyant sur la brosse de manière excessive.** Les poils de la brosse métallique peuvent pénétrer facilement dans les vêtements léger ou la peau.

• **S'il est recommandé d'installer un protège-meule lors de l'utilisation d'une brosse métallique, s'assurer que celui-ci n'entre pas en contact avec la brosse métallique.** Le diamètre de la brosse métallique peut augmenter en raison de la charge et de la force centrifuge.

Règles de sécurité supplémentaires






• **Maintenir en l'état les étiquettes et les plaques d'identification.** Des informations importantes y figurent. Si elles sont illisibles ou manquantes, contacter un centre de services et d'entretien MILWAUKEE pour un remplacement gratuit.

• **AVERTISSEMENT :** Certaines poussières générées par les activités de ponçage, de coupe, de rectification, de perçage et d'autres activités de construction contiennent des substances considérées être la cause de malformations congénitales et de troubles de l'appareil reproducteur. Parmi ces substances figurent :

- le plomb contenu dans les peintures à base de plomb;
- la silice cristalline des briques, du ciment et d'autres matériaux de maçonnerie, ainsi que
- l'arsenic et le chrome des sciages traités chimiquement.

Les risques encourus par l'opérateur envers ces expositions varient en fonction de la fréquence de ce type de travail. Pour réduire l'exposition à ces substances chimiques, l'opérateur doit travailler dans une zone bien ventilée et porter l'équipement de sécurité approprié, tel qu'un masque anti-poussière spécialement conçu pour filtrer les particules microscopiques.

Pictographie

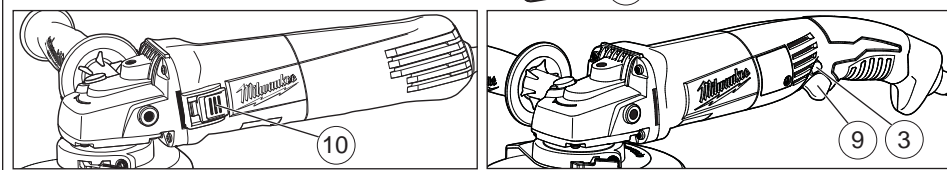
	Double Isolation		Inscription mexicaine d'approbation
	Couvant alternatif		Underwriters Laboratories, Inc., États-Unis et Canada
	Ampères	n_0 XXXXmin. ⁻¹	Tours-minute à vide (RPM)

Spécifications

No de cat	Volts AC	Ampères	T/Min- Outil	Dimension Pivot	Dimension Meule
6122-30	120	10	10 000	5/8"-11	115 mm (4½")
6122-30A	120	10	10 000	5/8"-11	127 mm (5")
6122-31	120	10	10 000	5/8"-11	115 mm (4½")
6122-31A	120	10	10 000	5/8"-11	127 mm (5")
6140-30	120	7.5	10 000	5/8"-11	115 mm (4½")
6140-33	120	7	10 000	5/8"-11	115 mm (4½")
6148-30	120	10	10 000	5/8"-11	115 mm (4½")
6148-31	120	10	10 000	5/8"-11	115 mm (4½")
6148-33	120	10	10 000	5/8"-11	115 mm (4½")
6116-30	120	12	10 000	5/8"-11	115/127 mm (4½"/5")
6116-31	120	12	10 000	5/8"-11	115/127 mm (4½"/5")
6116-33	120	12	10 000	5/8"-11	115/127 mm (4½"/5")
6160-30	120	12	9 000	5/8"-11	152 mm (6")
6160-31	120	12	9 000	5/8"-11	152 mm (6")
6160-33	120	12	9 000	5/8"-11	152 mm (6")
6123-30	120	12	9 000	5/8"-11	127/152 mm (5"/6")
6123-31	120	12	9 000	5/8"-11	127/152 mm (5"/6")

DESCRIPTION FONCTIONNELLE

- Poignée latérale
- Bouton de blocage du pivot
- Verrou de commande (6116-30, 6122-30, 6122-30A, 6123-30, 6140-30, 6148-30, 6160-30)
- Bouton de verrouillage (6116-30, 6116-31, 6140-30, 6148-30, 6148-31, 6160-30, 6160-31)
- Gâchette à palettes (6116-30, 6116-31, 6140-30, 6148-30, 6148-31, 6160-30, 6160-31)
- Douilles de la poignée latérale
- Levier de verrouillage du protecteur
- Garde de type « 27 »
- Gâchette (No de cat. 6122-30, 6122-30A, 6122-31, 6122-31A, 6123-30, 6123-31)
- Interrupteur à glissière (No de cat. 6116-33, 6140-33, 6148-33, 6160-33)



MISE A LA TERRE

AVERTISSEMENT Si le fil de mise à la terre est incorrectement raccordé, il peut en résulter des risques de choc électrique. Si vous n'êtes pas certain que la prise dont vous vous servez est correctement mise à la terre, faites-la vérifier par un électricien. N'altérez pas la fiche du cordon de l'outil. N'enlevez pas de la fiche, la dent qui sert à la mise à la terre. N'employez pas l'outil si le cordon ou la fiche sont en mauvais état. Si tel est le cas, faites-les réparer dans un centre-service **MILWAUKEE** accrédité avant de vous en servir. Si la fiche du cordon ne s'adapte pas à la prise, faites remplacer la prise par un électricien.

du cordon. Le fil vert du cordon doit être le seul fil raccordé à un bout au système de mise à la terre de l'outil et son autre extrémité ne doit jamais être raccordée à une borne sous tension électrique.

Votre outil doit être branché sur une prise appropriée, correctement installée et mise à la terre conformément aux codes et ordonnances en vigueur. La fiche du cordon et la prise de courant doivent être semblables à celles de la Figure A.

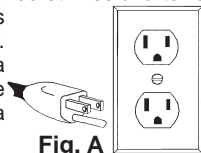


Fig. A

Outils à double isolation : Outils pourvus d'une fiche de cordon à deux dents

Les outils marqués « Double Isolation » n'ont pas besoin d'être raccordés à la terre. Ils sont pourvus d'une double isolation conforme aux exigences de l'OSHA et satisfont aux normes de l'Underwriters Laboratories, Inc., de l'Association canadienne de normalisation (ACNOR) et du « National Electrical Code » (code national de l'électricité). Les outils à double isolation peuvent être branchés sur n'importe laquelle des prises à 120 volt illustrées ci-contre Figure B et C.

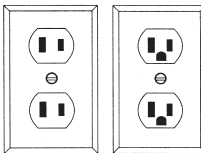


Fig. B Fig. C

Outils mis à la terre : Outils pourvus d'une fiche de cordon à trois dents

Les outils marqués « Mise à la terre requise » sont pourvus d'un cordon à trois fils dont la fiche a trois dents. La fiche du cordon doit être branchée sur une prise correctement mise à la terre (voir Figure A). De cette façon, si une défectuosité dans le circuit électrique de l'outil survient, le relais à la terre fournira un conducteur à faible résistance pour décharger le courant et protéger l'utilisateur contre les risques de choc électrique.

La dent de mise à la terre de la fiche est reliée au système de mise à la terre de l'outil via le fil vert

CORDONS DE RALLONGE

Si l'emploi d'un cordon de rallonge est nécessaire, un cordon à trois fils doit être employé pour les outils mis à la terre. Pour les outils à double isolation, on peut employer indifféremment un cordon de rallonge à deux ou trois fils. Plus la longueur du cordon entre l'outil et la prise de courant est grande, plus le calibre du cordon doit être élevé. L'utilisation d'un cordon de rallonge incorrectement calibré entraîne une chute de voltage résultant en une perte de puissance qui risque de détériorer l'outil. Reportez-vous au tableau ci-contre pour déterminer le calibre minimum du cordon.

Moins le calibre du fil est élevé, plus sa conductivité est bonne. Par exemple, un cordon de calibre 14 a une meilleure conductivité qu'un cordon de calibre 16. Lorsque vous utilisez plus d'une rallonge pour couvrir la distance, assurez-vous que chaque cordon possède le calibre minimum requis. Si vous utilisez un seul cordon pour brancher plusieurs outils, additionnez le chiffre d'intensité (ampères) inscrit sur la fiche signalétique de chaque outil pour obtenir le calibre minimal requis pour le cordon.

Directives pour l'emploi des cordons de rallonge

- Si vous utilisez une rallonge à l'extérieur, assurez-vous qu'elle est marquée des sigles « W-A » (« W » au Canada) indiquant qu'elle est adéquate pour usage extérieur.
- Assurez-vous que le cordon de rallonge est correctement câblé et en bonne condition. Remplacez tout cordon de rallonge détérioré ou faites-le remettre en état par une personne compétente avant de vous en servir.
- Tenez votre cordon de rallonge à l'écart des objets rattachés, des sources de grande chaleur et des endroits humides ou mouillés.

Calibres minimaux recommandés pour les cordons de rallonge*

Fiche signalétique Ampères	Longueur du cordon de rallonge (m)					
	7,6	15,2	22,8	30,4	45,7	60,9
0 - 5,0	16	16	16	14	12	12
5,1 - 8,0	16	16	14	12	10	--
8,1 - 12,0	14	14	12	10	--	--
12,1 - 15,0	12	12	10	10	--	--
15,1 - 20,0	10	10	10	--	--	--

* Basé sur une chute de voltage limite de 5 volts à 150% de l'intensité moyenne de courant.

LISEZ ATTENTIVEMENT CES INSTRUCTIONS ET CONSERVEZ-LES POUR LES CONSULTER AU BESOIN.

MONTAGE DE L'OUTIL

AVERTISSEMENT Pour minimiser les risques de blessures, débranchez toujours l'outil avant d'y faire des réglages, d'y attacher ou d'en enlever les accessoires. L'usage d'accessoires autres que ceux qui sont spécifiquement recommandés pour cet outil peut comporter des risques.

Pose de la poignée latérale

Il est possible d'installer la poignée latérale sur le dessus (certains modèles) ou de l'un ou l'autre des côtés (tous les modèles) de la boîte d'engrenages. Placez la poignée sur le côté offrant la meilleure maîtrise de l'outil et la meilleure protection du garde-meule. Vissez la poignée dans la cavité filetée sur le côté de l'outil et serrez-la à fond.

AVERTISSEMENT Pour minimiser les risques de blessures:

- **TOUJOURS** utiliser le garde-meule approprié.
- **TOUJOURS** installer correctement le garde-meule.
- **TOUJOURS** tenir l'outil fermement avec les deux mains avant de commencer à meuler.
- **NE JAMAIS** employer une meule qu'on a laissé tomber.
- **NE JAMAIS** heurter le matériau avec le disque.
- **NE JAMAIS** meuler sans équipement de protection.

Installation, retrait et réglage du garde-meule

L'outil est doté d'un garde-meule. Le garde-meule doit être utilisé lorsque l'outil sert de rectifieuse. Lorsque l'outil est employé comme ponceuse, il faut retirer le garde-meule.

1. Pour **retirer** le garde-meule, débranchez l'outil et enlevez du pivot tous les accessoires.
2. Appuyez sur le levier de verrouillage et faites tourner le garde-meule pour aligner les pattes et les encoches tel qu'indiqué.
3. Appuyez sur le levier de verrouillage, relevez le garde et écartez-le de l'outil.
4. Pour **installer** le garde-meule, débranchez l'outil et enlevez du pivot tous les accessoires.
5. Alignez les pattes et les encoches tel qu'indiqué.

6. Appuyez sur le levier de verrouillage et appuyez sur le garde pour le fixer en place.
7. Pour **régler** la position du garde-meule, appuyez sur le levier de verrouillage et faites tourner le garde vers une des cinq encoches de détente.

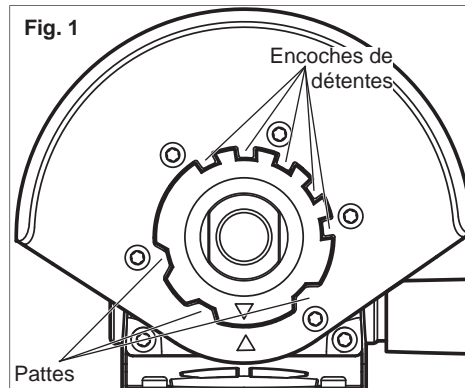


Fig. 1

AVERTISSEMENT N'utilisez que des disques dont la vitesse de rotation sécuritaire excède la vitesse de rotation mentionnée sur la fiche signalétique de l'outil. Cette vitesse de rotation est basée sur la résistance du disque en tenant compte de la sécurité. La vitesse de rotation indiquée n'est pas une norme de rendement, mais une norme de vitesse de rotation sécuritaire qu'il ne faut pas excéder.

Installation de la meule

S'assurer que la meule ne dépasse pas la partie inférieure du protecteur. Un protecteur plus grand peut être nécessaire pour les meules à moyeu fileté (voir « Accessoires »).

1. Débranchez l'outil.
2. Placer le protège-meule correctement (Fig. 2).

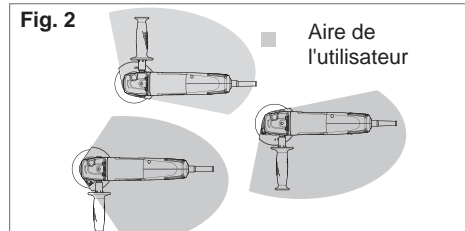
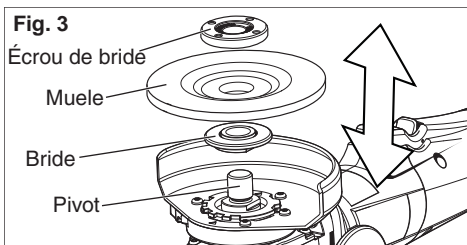


Fig. 2

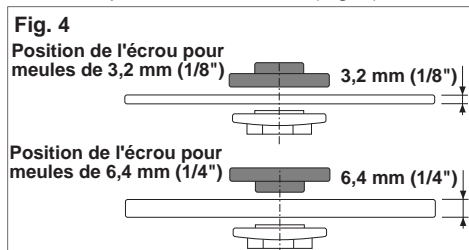
3. Essuyer la bride, l'écrou de bride et la broche afin d'enlever la poussière et les débris. Inspecter les pièces afin de s'assurer qu'elles ne sont pas endommagées. Procéder à des remplacements, au besoin.

4. Placer la flasque sur la broche (Fig. 3).



5. Placer la meule sur la broche et l'aligner avec la flasque.

6. Placer l'écrou évasé au-dessus de la broche, selon l'épaisseur de la meule (Fig. 4).



7. Appuyer sur le dispositif de verrouillage de la broche tout en tournant l'écrou évasé dans le sens horaire. Serrer solidement à l'aide d'une clé tricoise.

8. Pour retirer la meule, débranchez l'outil et répéter les étapes dans l'ordre inverse.

MANIEMENT

AVERTISSEMENT Pour minimiser les risques de blessures, débranchez toujours l'outil avant d'y faire des réglages, d'y attacher ou d'en enlever les accessoires. L'usage d'accessoires autres que ceux qui sont spécifiquement recommandés pour cet outil peut comporter des risques.

AVERTISSEMENT Pour minimiser les risques de blessures, portez des lunettes à coques latérales.

Démarrage contrôlé (6116-30, 6116-31, 6116-33, 6123-30, 6123-31, 6160-30, 6160-31, 6160-33)

La fonction de démarrage contrôlé réduit le « coup de bélier » du couple de réaction.

Tachymètre à vitesse constante (6116-30, 6116-31, 6116-33, 6123-30, 6123-31, 6160-30, 6160-31, 6160-33)

Le tachymètre maintient une vitesse quasiment constante de rotation de l'outil même s'il est sous charge. Il permet aussi d'éviter la surchauffe de l'outil. L'outil s'éteint automatiquement en cas de surcharge du moteur. Il peut être remis en marche en pressant à nouveau sur la gâchette.

Fonctionnement de l'interrupteur à glissière (6116-33, 6140-33, 6148-33, 6160-33)

Pour **démarrer** l'outil, tenir fermement la poignée latérale et la poignée de support puis glisser l'interrupteur à la position ON (Marche).

Pour **arrêter** l'outil, relâcher la gâchette. S'assurer que l'outil est complètement arrêté avant de le déposer.

Pour **verrouiller** l'interrupteur, le glisser à la position ON (Marche) puis enfoncer l'avant de l'interrupteur. Pour arrêter l'outil, appuyer sur l'interrupteur et le relâcher. S'assurer que l'outil est complètement arrêté avant de le déposer.

Fonctionnement de la gâchette à palettes (6140-30, 6148-30, 6148-31)

Pour démarrer l'outil, tenir fermement la poignée latérale et la poignée de support. Pousser le bouton de verrouillage vers la droite et appuyer sur la gâchette à palettes.

Pour arrêter l'outil, relâcher la gâchette à palettes. S'assurer que l'outil est complètement arrêté avant de le déposer.

Pour verrouiller la gâchette (6116-30, 6160-30, 6140-30, 6148-30 seulement), démarrer l'outil et pousser le bouton de verrouillage. Pour arrêter l'outil appuyer sur la gâchette à palettes, puis la relâcher. S'assurer que l'outil est complètement arrêté avant de le déposer.

Fonctionnement de la gâchette (6122-30, 6122-30A, 6122-31, 6122-31A, 6123-30, 6123-31)

Pour démarrer l'outil, tenir fermement la poignée latérale et la poignée de support, puis appuyer sur la gâchette.

Pour **arrêter** l'outil, relâcher la gâchette. S'assurer que l'outil est complètement arrêté avant de le déposer.

Pour verrouiller la gâchette (6122-30, 6122-30A, 6123-30 seulement), démarrer l'outil et pousser le bouton de verrouillage. Pour arrêter l'outil appuyer sur la gâchette, puis la relâcher. S'assurer que l'outil est complètement arrêté avant de le déposer.

Fonctionnement général

1. Si vous venez tout juste d'installer un disque abrasif ou de commencer le travail, vérifiez la meule en la laissant tourner durant une minute avant de l'appliquer sur le matériau. Une meule déstabilisée peut marquer le matériau, causer des dommages à l'outil et imposer une contrainte irrésistible à la meule.
2. Utiliser un serre-joint, un étau ou tout autre moyen adéquat pour immobiliser la pièce à travailler et avoir les deux mains libres afin de mieux contrôler l'outil.
3. Tenir l'outil de façon sécuritaire avec les deux mains.
4. Démarrer l'outil.
5. Laissez la meule atteindre son plein régime avant de commencer le meulage.
6. Contrôlez la pression et le contact du disque avec la pièce. Une trop grande pression pourra ralentir le meulage.
7. Une fois l'opération terminée, mettre l'outil à l'arrêt et attendre que le moteur s'arrête complètement avant de déposer l'outil. S'assurer que l'outil est complètement arrêté avant de le déposer.

UTILISATION DES MEULES

AVERTISSEMENT Pour minimiser les risques de blessures, l'utilisateur devrait être formé au maniement, à l'entretien et à la protection des meules.

Sélection des Meules

Utilisez des meules qui sont :

- du calibre adéquat tel qu'indiqué sur la fiche signalétique de l'outil.
- d'un calibre (t/min.) égal ou supérieur à celui qui est indiqué sur la fiche signalétique de l'outil.
- du genre et de la texture adéquats pour la tâche.

Le meulage s'effectue par l'action abrasive de milliers de grains abrasifs sur la face de la meule. Lorsque vous meulez des métaux comme l'acier et le fer, choisissez une meule en corindon. Pour la pierre et le béton, une meule de carbure de silicium et pour les métaux non ferreux, une meule renforcée de coton.

Les meules de type 27 renforcées de 3,2 mm (1/8") conviennent pour de petits tronçonnages et des encoches seulement.

Pour éviter de les endommager, manipulez les meules avec soin. Avant d'en installer une, inspectez-la pour y déceler des fissures. Si la meule est fissurée, disposez-en afin que personne d'autre ne puisse s'en servir.

Soin des Meules

Les meules devraient être protégées de :

- l'eau et l'humidité.
- les solvants de tous genres.
- les brusques variations de température.
- les chutes et les heurts.

Les meules devraient être rangées :

- de façon systématique pour permettre le retrait de l'une sans déranger ou endommager les autres.
- avec leur fiche signalétique.

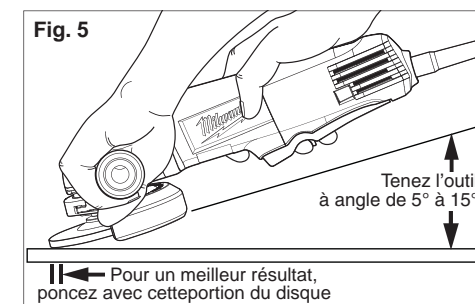
Les meules ne devraient pas :

- choir,
- rouler,
- heurter.

Si on laisse choir une meule, qu'on la roule, la heurte ou la soumet à de brusques changements de température, ou encore, si elle vient en contact avec des solvants ou de l'humidité, il vaut mieux en disposer immédiatement.

Meulage

Tenez la ponceuse-rectifieuse à un angle de 5° à 15°, tel qu'indiqué et maintenez une pression constante pour obtenir un fini uniforme. Un angle trop grand occasionne une concentration de pression sur de petites surfaces et peut rainurer ou brûler la surface de la pièce à ouvrir.

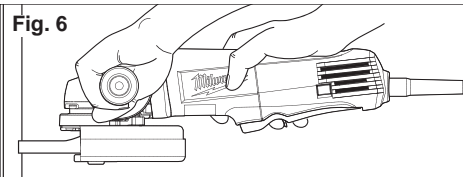


EMPLOI DES MEULES À TRONÇONNER

AVERTISSEMENT Une garde-lame de type « 1 » doit être installé autour d'un disque à tronçonner pour assurer le maximum de protection à l'utilisateur en cas de bris.

Les meules de type 1 renforcées conviennent pour de petits tronçonnages et des encoches seulement.

Pour tronçonner, tenez la ponceuse-rectifieuse tel qu'indiqué et n'utilisez que le tranchant de la meule.



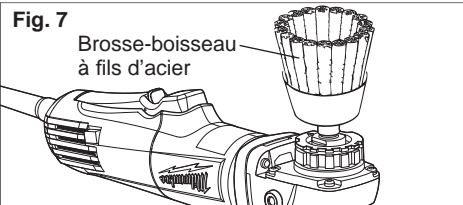
AVERTISSEMENT Il ne faut pas meuler avec le plat d'une meule à tronçonner. Cela pourrait causer l'éclatement de la meule et vous infliger des blessures corporelles graves.

UTILISATION DES BROSSES À FIL D'ACIER

AVERTISSEMENT Toutes les personnes présentes dans l'aire de travail doivent porter des vêtements protecteurs, des lunettes à coques latérales ou un masque facial. Des fils rompus et des rognures seront éjectés de la meule avec force et constitueront un risque de blessures graves dans un rayon de 50 pieds de l'endroit d'impact.

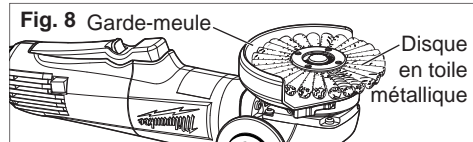
Les brosses à fils d'acier sont utiles pour enlever rouille, tartre, bavures, scories de soudure etc. Il existe un vaste choix de brosses à fils d'acier.

Toujours installer les brosses coupes métalliques conformément aux instructions du fabricant concernant les accessoires.



AVERTISSEMENT Les bouts de fil métallique de la meule en toile métallique convergent vers l'opérateur. C'est pourquoi il faut installer un garde-meule pour se protéger des fils rompus par l'usure qui sont éjectés durant le meulage.

Au moment d'utiliser une brosse coupe métallique, installer le protecteur conformément aux instructions décrites dans la section intitulée « Installation et retrait des accessoires ».



Inspectez la brosse à fils d'acier pour y déceler les fils rompus et en corriger le flottement. Pour effectuer ce test, faites tourner la brosse à vide durant au moins une minute avant de l'appliquer sur la pièce à ouvrir. Durant cette inspection, l'aire de travail devrait être évacuée.

Inspectez la brosse à fils d'acier pour y déceler les fils rompus et en corriger le flottement. Pour effectuer ce test, faites tourner la brosse à vide durant au moins une minute avant de l'appliquer sur la pièce à ouvrir. Durant cette inspection, l'aire de travail devrait être évacuée.

AVERTISSEMENT N'excédez pas la vitesse de rotation sécuritaire pour laquelle la brosse à fils d'acier est calibrée. N'utilisez pas une brosse avariée ou une brosse qui ne fonctionne pas normalement (éjection de fils rompus, flottement etc.). Ces conditions augmentent les risques de bris et de blessures pouvant en résulter. Débarrassez-vous des brosses avariées et employez-en de nouvelles.

UTILISATION DES DISQUES ABRASIFS

Sélection des Disques Abrasifs

Utilisez des disques abrasifs qui sont :

- du calibre adéquat tel qu'indiqué sur la fiche signalétique de l'outil.
- du genre et de la texture adéquats pour la tâche.
- d'un calibre (t/min.) égal ou supérieur à celui qui est indiqué sur la fiche signalétique de l'outil.

Consultez le tableau ci-dessous pour connaître le disque abrasif qui convienne à votre tâche. En général, utilisez des disques à 24 ou 36 grains pour le décapage robuste; 50, 60 ou 80 grains pour le décapage moyen et 120 pour la finition. Commencez toujours avec un disque à grains grossiers pour continuer avec des disques progressivement plus fins. Voir «Catalogue» pour la gamme complète des disques abrasifs MILWAUKEE.

Corindon

Pour abrasion rapide. Disque d'usage général convenant à la plupart des tâches sur les métaux. Idéal pour l'acier laminé à froid, l'acier inoxydable et les métaux exigeant un abrasif robuste et durable.

Aluminium-Zircone Bi-Cut

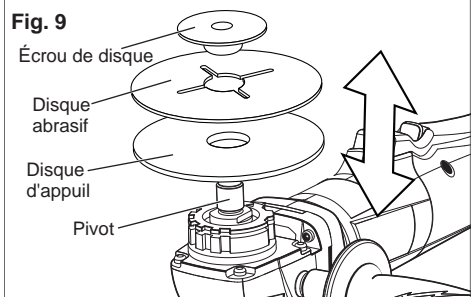
Conception unique des grains formant un agglomérat rugueux pour extirper les dépôts et nettoyer rapidement. Idéal pour décaper sans encroûtagela peinture des autos, bateaux, fibre de verre, etc.

Céramique

Dure trois fois plus longtemps qu'un disque en corindon. Pour le travail général sur les métaux, l'outil idéal pour les tâches robustes.

Installation du disque d'appui et du disque abrasif

1. Débranchez l'outil.
2. Essuyer les accessoires, l'écrou du disque et la broche afin d'enlever la poussière et les débris.
3. Glissez le disque d'appui sur le pivot, côté plat éloigné de la boîte d'engrenages.

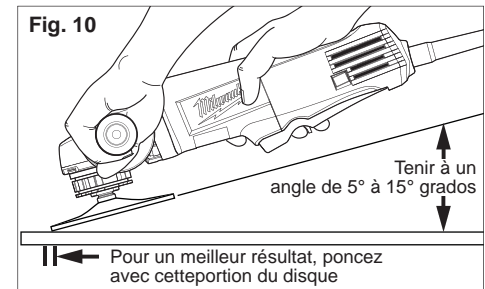


4. Placez le disque abrasif sur le disque d'appui et fixez-les au pivot à l'aide de l'écrou de disque.
5. Pour serrer, appuyez sur le bouton de blocage du pivot pendant que vous visserez l'écrou (sens horaire).
6. Pour retirer le disque d'appui et le disque abrasif, débranchez l'outil et inversez le procédé.

Ponçage

Tenez la ponceuse-rectifieuse à un angle de 5° à 15°, tel qu'indiqué, afin d'assurer la pression de ponçage et le contrôle de l'outil. Si l'angle de ponçage est trop grand, il s'ensuivra trop de pression et une usure excessive du disque et du matériau. Si l'angle est trop étroit, le contrôle de l'outil en sera réduit.

Poncez par mouvements larges d'un côté à l'autre en avançant à chaque mouvement jusqu'à l'obtention du fini souhaitable.



Ponçage latéral

Pour finir une surface préalablement poncée avec un disque à grains grossier ou une meule, poncez à angle droit des marques laissées par le disque grossier. Les marques laissées par le ponçage précédent sont faciles à voir et à enlever. Si l'on néglige de poncer latéralement après un changement de disque, il pourra rester des rainures profondes et des marques circulaires à la fin du ponçage.

Ponçage des marques de soudure et de forgeage

Limitez l'emploi d'un disque à grains grossiers aux marques de soudure et de forgeage. Employez successivement des disques à grains plus fins pour lisser la surface.

Fini du métal

Déplacez constamment la ponceuse sur la surface. Travaillez plus prestement sur les endroits arrondis où le contact avec le disque est restreint et la pression plus grande. Une trop grande pression pourra laisser des marques à la fin d'un mouvement. Réduisez la pression vers la fin des mouvements d'un côté à l'autre pour éviter que les côtés ne soient trop usés à l'endroit où le mouvement revient sur lui-même.

Dépistage des dérangements

Les rayures profondes peuvent provenir de :

- Usage d'un grain trop grossier.
- Usage d'un disque encroûté.
- Saleté ou particules de métal sur le matériau à poncer.
- Défaut de poncer perpendiculairement aux marques du ponçage grossier après changement de disque.
- Défaut d'utiliser un disque à grains serrés. Les disques à grains serrés perdent moins souvent leurs grains sur la surface.

Le bleuissement de la surface métallique indique une surchauffe qui peut provenir de :

- Surchauffe causée par un mouvement circulaire en es pace restreint.
- Pression excessive.
- Emploi d'un disque usé ou encroûté.

MAINTENANCE

⚠ AVERTISSEMENT Pour minimiser les risques de blessures, débranchez toujours l'outil avant d'y effectuer des travaux de maintenance. Ne faites pas vous-même le démontage de l'outil ni le rebobinage du système électrique. Consultez un centre de service *MILWAUKEE* accrédité pour toutes les réparations.

Entretien de l'outil

Gardez l'outil en bon état en adoptant un programme d'entretien ponctuel. Avant de vous en servir, examinez son état en général. Inspectez-en la garde, interrupteur, cordon et cordon de rallonge pour en déceler les défauts. Vérifiez le serrage des vis, l'alignement et le jeu des pièces mobiles, les vices de montage, bris de pièces et toute autre condition pouvant en rendre le fonctionnement dangereux. Si un bruit ou une vibration insolite survient, arrêtez immédiatement l'outil et faites-le vérifier avant de vous en servir de nouveau. N'utilisez pas un outil défectueux. Fixez-y une étiquette marquée « HORS D'USAGE » jusqu'à ce qu'il soit réparé (voir « Réparations »).

Normalement, il ne sera pas nécessaire de lubrifier l'outil avant que le temps ne soit venu de remplacer les balais. Après une période pouvant aller de 6 mois à un an, selon l'usage, retournez votre outil à un centre de service *MILWAUKEE* accrédité pour obtenir les services suivants:

ACCESOIRES

⚠ AVERTISSEMENT Débranchez toujours l'outil avant de changer ou d'enlever les accessoires. L'utilisation d'autres accessoires que ceux qui sont spécifiquement recommandés pour cet outil peut comporter des risques.

Pour une liste complète des accessoires, prière de se reporter au catalogue *MILWAUKEE* Electric Tool ou visiter le site internet www.milwaukeetool.com. Pour obtenir un catalogue, il suffit de contacter votre distributeur local ou l'un des centres-service énumérés sur la page de couverture de ce manuel.

- Lubrification
- Inspection et remplacement des balais
- Inspection et nettoyage de la mécanique (engrenages, pivots, coussinets, boîtier etc.)
- Inspection électrique (interrupteur, cordon, induit etc.)
- Vérification du fonctionnement électromécanique

⚠ AVERTISSEMENT Pour minimiser les risques de blessures, choc électrique et dommage à l'outil, n'immergez jamais l'outil et ne laissez pas de liquide s'y infiltrer.

Nettoyage

Débarrassez les événements des débris et de la poussière. Gardez les poignées de l'outil propres, à sec et exemptes d'huile ou de graisse. Le nettoyage de l'outil doit se faire avec un linge humide et un savon doux. Certains nettoyants tels l'essence, la térébenthine, les diluants à laque ou à peinture, les solvants chlorés, l'ammoniaque et les détergents d'usage domestique qui en contiennent pourraient détériorer le plastique et l'isolation des pièces. Ne laissez jamais de solvants inflammables ou combustibles auprès des outils.

Réparations

Si votre outil est endommagé, retourne l'outil entier au centre de maintenance le plus proche.

GARANTIE LIMITÉE DE L'OUTIL DE CINQ ANS

Chaque outil électrique *MILWAUKEE* (y compris le chargeur de batterie) est garanti à l'acheteur d'origine être exempt de vice du matériau et de fabrication. Sous réserve de certaines exceptions, *MILWAUKEE* réparera ou remplacera toute pièce d'un outil électrique qui, après examen, sera avéré par *MILWAUKEE* être affecté d'un vice du matériau ou de fabrication pendant une période de cinq (5) ans* après la date d'achat. Le retour de l'outil électrique, accompagné d'une copie de la preuve d'achat à un site d'entretien d'usine/de promotion des ventes de *MILWAUKEE* ou à un poste d'entretien agréé *MILWAUKEE*, en port prépayé et assuré, est requis pour que cette garantie s'applique. Cette garantie ne couvre pas les dommages que *MILWAUKEE* détermine être causés par des réparations ou des tentatives de réparation par quiconque autre que le personnel agréé par *MILWAUKEE*, des utilisations incorrectes, des altérations, des utilisations abusives, une usure normale, une carence d'entretien ou les accidents.

* La période de garantie pour les palans (palans à levier, à chaîne manuelle et à chaîne électrique), tous les blocs de batteries au NiCd, les projecteurs de travail (lampes torches sans fil), les radios de chantier et les chariots de travail industriels Trade Titan™ est d'un (1) an à partir de la date d'achat. *La période de garantie pour les blocs de batteries au lithium-ion qui ne sont pas équipés de la technologie V™ (entre 4 et 18 volts) est de deux (2) ans à partir de la date d'achat.

*Il existe une garantie séparée pour les blocs de batteries au lithium-ion avec technologie V™ de 18 volts et plus qui accompagnent les outils électriques sans fil de technologie V™ :

*Chaque batterie au lithium-ion 18 volts ou plus de technologie *MILWAUKEE* V™ est couverte par une garantie de remplacement gratuit initial pour 1 000 charges/2 ans. Ceci signifie qu'avant les 1 000 premières charges ou deux (2) années suivant la date d'achat/la première charge, une batterie de rechange sera fournie gratuitement au client pour toute batterie défectueuse. Par la suite, les clients recevront aussi une garantie supplémentaire calculée au prorata dans la limite de 2 000 charges ou cinq (5) années suivant la date d'achat/la première charge, à la première échéance. Ceci signifie que chaque client obtient une garantie au prorata supplémentaire de 1 000 charges ou de trois (3) années sur les batteries au lithium-ion 18 volts ou plus de technologie V™ en fonction de l'utilisation. Pendant cette période de garantie supplémentaire, le client ne paye que pour le service utilisable reçu au-delà des 1 000 premières charges/2 premières années, en fonction de la date de la première charge et du nombre de charges des batteries déterminés par le lecteur de service *MILWAUKEE* de technologie V™.

L'enregistrement de la garantie n'est pas nécessaire pour bénéficier de la garantie en vigueur sur un produit *MILWAUKEE*. La date de fabrication du produit servira à établir la période de garantie si aucune preuve d'achat n'est fournie lorsqu'une demande de service sous garantie est faite.

L'ACCEPTATION DES RECOURS EXCLUSIFS DE RÉPARATION ET DE REMPLACEMENT DÉCRITS PAR LES PRÉSENTES EST UNE CONDITION DU CONTRAT D'ACHAT DE TOUT PRODUIT *MILWAUKEE*. SI VOUS N'ACCEPTÉZ PAS CETTE CONDITION, VOUS NE DEVEZ PAS ACHETER LE PRODUIT. EN AUCUN CAS *MILWAUKEE* NE SAURAIT ÊTRE RESPONSABLE DE TOUT DOMMAGE ACCESSOIRE, SPÉCIAL OU INDIRECT, DE DOMMAGES-INTÉRÊTS PUNITIFS OU DE TOUTE DÉPENSE, D'HONORAIRES D'AVOCATS, DE FRAIS, DE PERTE OU DE DÉLAIS ACCESSOIRES À TOUT DOMMAGE, DÉFAILLANCE OU DÉFAUT DE TOUT PRODUIT, Y COMPRIS NOTAMMENT LES PERTES DE PROFIT. CETTE GARANTIE EST EXCLUSIVE ET REMPLACE TOUTE AUTRE GARANTIE OU CONDITION, ÉCRITE OU VERBALE, EXPRESSE OU IMPLICITE. SANS LIMITER LA GÉNÉRALITÉ DES DISPOSITIONS PRÉCÉDENTES, *MILWAUKEE* DÉCLINE TOUTE GARANTIE IMPLICITE DE QUALITÉ MARCHANDE OU D'ADAPTATION À UNE UTILISATION OU À UNE FIN PARTICULIÈRE ET TOUTE AUTRE GARANTIE.

Cette garantie s'applique aux produits vendus aux États-Unis, au Canada et au Mexique uniquement.

ADVERTENCIAS DE SEGURIDAD GENERALES PARA LA HERRAMIENTA ELÉCTRICA

ADVERTENCIA LEA TODAS LAS ADVERTENCIAS E INSTRUCCIONES DE SEGURIDAD.

Si no sigue todas las advertencias e instrucciones, se pueden provocar una descarga eléctrica, un incendio o lesiones graves.

Guarde todas las advertencias e instrucciones para consultarlas en el futuro. El término "herramienta eléctrica" en todas las advertencias incluidas más abajo se refiere a su herramienta operada por conexión (cable) a la red eléctrica o por medio de una batería (inalámbrica).

SEGURIDAD EN EL ÁREA DE TRABAJO

- Mantenga limpia y bien iluminada el área de trabajo. Las áreas desordenadas u oscuras contribuyen a que se produzcan accidentes.
- No utilice herramientas eléctricas en atmósferas explosivas, como en la presencia de líquidos, gases o polvo inflamables. Las herramientas eléctricas crean chispas que pueden incendiar el polvo o las emanaciones.
- Mantenga a los niños y otras personas alejadas mientras utiliza una herramienta eléctrica. Las distracciones pueden hacerle perder el control.

SEGURIDAD ELÉCTRICA

- Los enchufes de las herramientas eléctricas deben ser del mismo tipo que el tomacorrientes. Nunca realice ningún tipo de modificación en el enchufe. No use enchufes adaptadores con herramientas eléctricas con conexión a tierra. Se reducirá el riesgo de descarga eléctrica si no se modifican los enchufes y los tomacorrientes son del mismo tipo.
- Evite el contacto corporal con superficies con conexión a tierra, como tuberías, radiadores, estufas y refrigeradores. El riesgo de descarga eléctrica aumenta si su cuerpo está conectado a tierra.
- No exponga la herramientas eléctricas a la lluvia o a condiciones de humedad. El agua que entra en una herramienta eléctrica aumenta el riesgo de descarga eléctrica.
- No abuse del cable. Nunca use el cable para transportar la herramienta eléctrica, tirar de ella o desenchufarla. Mantenga el cable alejado del calor, los bordes afilados o las piezas en movimiento. Los cables dañados o enmarañados aumentan el riesgo de descarga eléctrica.

- Cuando se utiliza una herramienta eléctrica en el exterior, use una extensión que sea apropiada para uso en el exterior. El uso de un cable apropiado para el exterior reduce el riesgo de descarga eléctrica.
- Si debe operar una herramienta eléctrica en un lugar húmedo, utilice un suministro protegido por un dispositivo de corriente residual (RCD). Usar un RCD reduce el riesgo de que se produzcan descargas eléctricas.

SEGURIDAD PERSONAL

- Manténgase alerta, ponga cuidado a lo que está haciendo y use el sentido común cuando utilice una herramienta eléctrica. No use una herramienta eléctrica cuando está cansado o bajo la influencia de drogas, alcohol o medicinas. Despijarse un minuto cuando se utiliza una herramienta eléctrica puede tener como resultado lesiones personales graves.
- Use un equipo de protección personal. Lleve siempre protección ocular. Llevar un equipo de protección apropiado para la situación, como una máscara antipolvo, zapatos de seguridad antideslizantes, un casco o protección auditiva, reducirá las lesiones personales.
- Evite el encendido accidental. Asegúrese de que el interruptor esté en la posición de apagado antes de conectarlo a la toma de alimentación o a la batería, al levantar o mover la herramienta. Mover herramientas con el dedo en el interruptor o enchufarlas con el interruptor en la posición de encendido contribuye a que se produzcan accidentes.
- Quite todas las llaves de ajuste antes de encender la herramienta. Una llave que esté acoplada a una pieza giratoria de la herramienta puede provocar lesiones personales.
- No se estire demasiado. Mantenga los pies bien asentados y el equilibrio en todo momento.

mento. Esto permite tener mejor control de la herramienta eléctrica en situaciones inesperadas.

- Vístase de manera apropiada. No lleve ropa suelta ni joyas. Mantenga el cabello, la ropa y los guantes lejos de las piezas en movimiento. La ropa floja, las joyas o el cabello largo pueden quedar atrapados en las piezas en movimiento.
- Si se proporcionan dispositivos para la conexión de sistemas de recolección y extracción de polvo, asegúrese de que estén conectados y se usen apropiadamente. El uso de estos dispositivos puede reducir los peligros relacionados con el polvo.

USO Y CUIDADO DE LAS HERRAMIENTAS ELÉCTRICAS

- No fuerce la herramienta eléctrica. Use la herramienta eléctrica correcta para la aplicación. La herramienta eléctrica correcta funcionará mejor y de manera más segura a la velocidad para la que se diseñó.
- No use la herramienta eléctrica si el interruptor no la enciende ni la apaga. Cualquier herramienta eléctrica que no se pueda controlar con el interruptor es peligrosa y se debe reparar.
- Desconecte el enchufe de la toma de alimentación y/o la batería de la herramienta eléctrica antes de realizar cualquier ajuste, cambiar accesorios o almacenar las herramientas eléctricas. Dichas medidas preventivas de seguridad reducen el riesgo de que la herramienta se prenda accidentalmente.
- Almacene las herramientas eléctricas fuera del alcance de los niños y no permita que personas no familiarizadas con ellas o estas instrucciones las utilicen. Las herramientas eléctricas son peligrosas en las manos de usuarios no capacitados.
- Mantenimiento de las herramientas eléctricas. Revise que no haya piezas móviles que estén desalineadas o que se atasquen, piezas rotas ni ninguna otra condición que pueda afectar el funcionamiento de la herramienta eléctrica. Si se encuentran daños, haga que le reparen la herramienta antes de usarla. Las herramientas mal mantenidas son la causa de muchos accidentes.
- Mantenga las herramientas de corte limpias y afiladas. Es menos probable que se atasquen las herramientas de corte con filos afilados que se mantienen de manera apropiada y también son más fáciles de controlar.

MANTENIMIENTO

- Haga que un técnico calificado realice el mantenimiento de la herramienta eléctrica utilizando solamente piezas de repuesto idénticas. Esto asegurará que se mantiene la seguridad de la herramienta eléctrica.

REGLAS ESPECÍFICAS DE SEGURIDAD

Advertencias de seguridad frecuentes para el esmerilado, lijado, las operaciones con cepillo de alambre o de corte abrasivo:

- Esta herramienta eléctrica está diseñada para funcionar como una amoladora, una lijadora, un cepillo de alambre o una herramienta de corte. Consulte todas las advertencias de seguridad, ilustraciones y especificaciones suministradas con esta herramienta eléctrica. Si no sigue todas las instrucciones a continuación, se pueden provocar una descarga eléctrica, un incendio o lesiones graves.
- No se recomienda realizar ciertas operaciones con esta herramienta eléctrica, como pulir. Realizar operaciones para las cuales esta herramienta no fue diseñada puede representar un peligro y producir lesiones.
- No use accesorios que no estén específicamente diseñados y recomendados por el fabricante de la herramienta. Simplemente porque el accesorio puede fijarse a su herramienta eléctrica, no significa que se garantice que su manejo sea seguro.
- La velocidad nominal del accesorio debe ser, por lo menos, igual a la velocidad máxima marcada en la herramienta eléctrica. Los accesorios que funcionan a una velocidad mayor que la de su VELOCIDAD NOMINAL, pueden romperse y salir lanzados.
- El diámetro exterior y el espesor de su accesorio deben encontrarse dentro de la capacidad nominal de su herramienta. Los accesorios de tamaño incorrecto no se pueden proteger ni controlar adecuadamente.
- El diámetro del árbol de los discos, de las bridas, de las almohadillas de respaldo o de cualquier otro accesorio debe adaptarse

correctamente al husillo de la herramienta eléctrica. Los accesorios con orificios para árbol que no coinciden con las piezas de montaje de la herramienta eléctrica se desequilibran, vibran en exceso y pueden causar la pérdida del control.

- **No use ningún accesorio dañado.** Antes de cada uso, inspeccione los accesorios, por ejemplo, el disco abrasivo, para detectar desportilladuras y grietas; la almohadilla de respaldo para identificar grietas, desgaste o maltrato excesivo o el cepillo de alambre para detectar alambres sueltos o partidos. Si la herramienta eléctrica o el accesorio se caen, inspecciónelos para ver si están dañados o instale un accesorio que no esté dañado. Después de inspeccionar e instalar un accesorio, manténgase alejado y mantenga alejadas a las personas presentes del plano del accesorio rotatorio y haga funcionar la herramienta eléctrica a máxima velocidad en vacío durante un minuto. Por lo general, los accesorios dañados se rompen en este tiempo de prueba.
- **Póngase equipo de protección personal.** Según la aplicación, use una careta protectora completa, gafas protectoras o anteojos de seguridad. Según corresponda, póngase una máscara antipolvo, protección auditiva, guantes y mandil para taller que puedan detener pequeños fragmentos abrasivos o trozos de la pieza de trabajo. La protección ocular debe ser capaz de detener desechos lanzados por la herramienta que se hayan generado por los distintos usos. La máscara antipolvo o el respirador deben ser capaces de filtrar las partículas que se generen durante el funcionamiento. La exposición prolongada a ruidos de alta intensidad puede producir pérdida auditiva.
- **Mantenga alejadas del área de trabajo a las personas presentes.** Cualquier persona que ingrese en el área de trabajo debe ponerse el equipo de protección personal. Los fragmentos de la pieza de trabajo o de un accesorio roto pueden salir lanzados y provocar lesiones más allá del área inmediata de operación.
- **Sujete la herramienta eléctrica únicamente por las superficies aisladas de sujeción al efectuar una operación en la cual el accesorio de corte pueda entrar en contacto con cableado oculto o con su propio cable.** Es posible que todo contacto de un accesorio de corte con un cable cargado cargue las piezas metálicas expuestas de la herramienta eléctrica y dé una descarga eléctrica al operador.

- **Coloque el cable alejado del accesorio en movimiento.** Si pierde el control, es posible que el cable se corte o se atore, y su mano o brazo pueden ser arrastrados hacia el accesorio en movimiento.
- **Nunca coloque la herramienta eléctrica sobre una superficie hasta que el accesorio se haya detenido por completo.** El accesorio en movimiento puede engancharse en la superficie y arrancar la herramienta eléctrica fuera de su control.
- **No haga funcionar la herramienta eléctrica mientras el operador la transporte junto al cuerpo.** Si el accesorio en movimiento toca accidentalmente la ropa, puede atorarse y engancharse en el cuerpo.
- **Limpie con regularidad las rejillas de ventilación de la herramienta eléctrica.** El ventilador del motor atrae el polvo dentro del alojamiento, y la acumulación excesiva de polvillo de metal puede provocar riesgos eléctricos.
- **No use la herramienta eléctrica cerca de materiales inflamables.** Las chispas pueden encender estos materiales.
- **No use accesorios que requieran refrigerantes líquidos.** El uso de agua u otros refrigerantes líquidos puede causar electrocución o descarga eléctrica.

CONTRAGOLPE Y ADVERTENCIAS RELACIONADAS

El contragolpe es una reacción súbita a un disco en movimiento, almohadilla de respaldo, cepillo o cualquier otro accesorio pellizcado o atorado. El pellizcamiento o atoramiento hacen que el accesorio rotatorio se detenga repentinamente; esto, a la vez, hace que la herramienta eléctrica fuera de control sea despedida en dirección opuesta a la rotación del accesorio en el punto del atoramiento.

Por ejemplo, si un disco abrasivo se pellizca o atora en la pieza de trabajo, el borde del disco que entra en el punto de pellizcamiento puede penetrar en la superficie del material haciendo que el disco se salga o dé un contragolpe. Es posible que el disco salte hacia el operador o en dirección opuesta a él, según la dirección del movimiento del disco en el punto de pellizcamiento. Los discos abrasivos también se pueden romper en estas condiciones.

El contragolpe es el resultado del uso incorrecto de la herramienta eléctrica y/o de procedimientos o condiciones de trabajo incorrectas, y puede evitarse tomando las medidas de precaución adecuadas, como las señaladas abajo.

- **Mantenga una sujeción firme de la herramienta eléctrica, y coloque el cuerpo y el brazo de**

manera que le permitan resistir las fuerzas de un contragolpe. Siempre que sea proporcionado, use el mango auxiliar para tener el máximo control sobre el contragolpe o la reacción del par de torsión durante el arranque. El operador puede controlar las reacciones del par de torsión o las fuerzas del contragolpe, si toma las medidas de precaución adecuadas.

- **Nunca coloque la mano cerca del accesorio rotatorio.** Es posible que se produzca un contragolpe del accesorio rotatorio sobre la mano.
- **No coloque el cuerpo en el área adonde se moverá la herramienta eléctrica si se produce un contragolpe.** El contragolpe impulsará la herramienta en la dirección opuesta al movimiento del disco en el punto de atoramiento.
- **Preste especial atención cuando trabaje en esquinas, bordes afilados, etc.** Evite que el accesorio rebote o se atore. Las esquinas, los bordes afilados o la acción de rebote tienden a hacer que el accesorio rotatorio se atore y provocan la pérdida del control o el contragolpe.
- **No use una hoja de tallar madera para cadena de la sierra ni una hoja dentada para sierra.** Dichas hojas suelen crear con frecuencia contragolpes y la consiguiente pérdida del control.

Advertencias de seguridad específicas para Operaciones de esmerilado y corte abrasivo:

- **Use solamente tipos de discos recomendados para su herramienta eléctrica y la protección específica diseñada para el disco seleccionado.** Los discos para los que no ha sido diseñada la herramienta eléctrica que se pueden proteger correctamente y no son seguros.
- **La protección debe fijarse firmemente a la herramienta eléctrica y colocarse para brindar la máxima seguridad posible, de manera que quede la menor cantidad de disco expuesta en dirección al operador.** La protección ayuda a resguardar al operador de los fragmentos de disco roto y del contacto accidental con el disco.
- **Los discos se deben emplear solamente para los usos recomendados. Por ejemplo: no esmerile con el costado de un disco de trocear.** Los discos de trocear abrasivos están diseñados para el esmerilado periférico, y si se aplican fuerzas laterales a estos discos, pueden romperse.
- **Use siempre bridas de discos que no estén dañadas y que sean del tamaño y forma correctos para el disco seleccionado.** Las bridas de discos adecuadas sostienen el disco reduciendo, de esa manera, la posibilidad de que se rompa. Es posible que las bridas para los discos

de trocear sean diferentes de las bridas para las muelas abrasivas.

- **No use discos desgastados de herramientas eléctricas más grandes.** Los discos diseñados para herramientas eléctricas más grandes no son adecuados para las velocidades más elevadas de las herramientas más pequeñas y es posible que estallen.

Advertencias de seguridad específicas para Operaciones de corte abrasivo:

- **Evite trabar el disco de trocear y aplicar demasiada presión sobre éste. No intente realizar un corte excesivamente profundo.** Al forzar demasiado el disco, aumentan la carga y la posibilidad de que éste se doble o se agarrote durante el corte. También es más probable que se produzcan rebotes o rupturas del disco.
- **Retírese de la línea de corte del disco en movimiento y no se coloque detrás de ésta.** A medida que el disco en funcionamiento se aleja de su cuerpo, un posible rebote podría hacer que el disco en movimiento y la herramienta eléctrica sean lanzados hacia usted.
- **Cuando el disco se agarra o cuando se interrumpe el corte por cualquier motivo, debe apagar la herramienta eléctrica y mantenerla inmóvil hasta que el disco se detenga por completo.** Nunca intente quitar el disco de trocear del corte mientras éste se encuentra en movimiento: si lo hace, puede producirse un rebote. Investigue y tome las acciones correctivas pertinentes para eliminar la causa del agarrotamiento del disco.
- **No reinicie la operación de corte en la pieza de trabajo. Permita que el disco alcance la máxima velocidad y vuelva a introducirlo en el corte cuidadosamente.** El disco puede agarrotarse, moverse hacia atrás o rebotar si la herramienta eléctrica se vuelve a encender en la pieza de trabajo.
- **Sujete los paneles o cualquier pieza de trabajo demasiado grande para minimizar el riesgo de atoramiento y rebote del disco.** Las piezas de trabajo grandes tienden a pandearse bajo su propio peso. Se deben colocar soportes debajo de la pieza de trabajo, cerca de la línea de corte y cerca del borde de la pieza de trabajo a ambos lados del disco.
- **Sea extremadamente cuidadoso cuando realice un "corte por penetración" en paredes u otras áreas ciegas.** El disco que sobresale podría cortar tuberías de gas o agua, cables eléctricos u objetos que pueden provocar un rebote.

Advertencias de seguridad específicas para Operaciones de lijado:

- **No use discos de papel de lija excesivamente grandes. Siga las recomendaciones del fabricante cuando seleccione el papel de lija.** El papel de lija más grande que sobresale de la almohadilla de lijado presenta un riesgo de laceraciones y puede causar atoramientos, desgarramiento del disco o contragolpe.

Advertencias de seguridad específicas para Operaciones con cepillo de alambre:

- **Sea consciente de que el cepillo arroja cerdas de alambre incluso durante el funcionamiento normal. No fuerce demasiado las cerdas de alambre al aplicar una carga excesiva sobre el cepillo.** Las cerdas pueden penetrar fácilmente las prendas finas y la piel.
- **Si se recomienda la utilización de una protección para las operaciones con cepillo de alambre, evite que se introduzcan elementos entre el disco o cepillo de alambre y la protección.** Es probable que el disco o cepillo aumente de diámetro debido a la carga de trabajo y las fuerzas centrífugas.

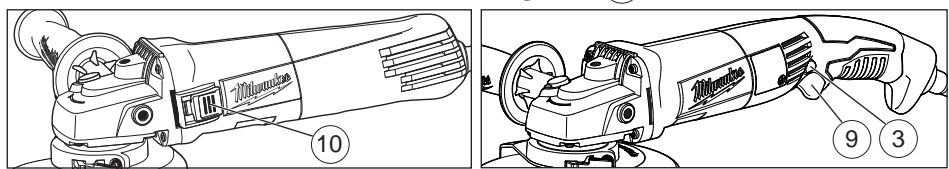
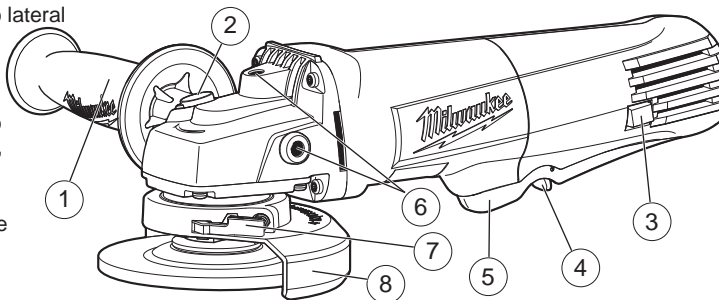
Advertencias de seguridad adicionales

- **Mantenga las etiquetas y las placas identificativas.** Tienen información importante. Si no se pueden leer o si faltan, póngase en contacto con un centro de servicio *MILWAUKEE* para obtener un repuesto gratuito.
- **ADVERTENCIA :** Algunas partículas de polvo resultantes del lijado mecánico, aserrado, esmerilado, taladrado y otras actividades relacionadas a la construcción, contienen sustancias químicas que se saben ocasionan cáncer, defectos congénitos u otros daños al aparato reproductivo. A continuación se citan algunos ejemplos de tales sustancias químicas:
 - plomo proveniente de pinturas con base de plomo
 - sílice cristalino proveniente de ladrillos, cemento y otros productos de albañilería y
 - arsénico y cromo provenientes de madera químicamente tratada.

El riesgo que usted sufre debido a la exposición varía dependiendo de la frecuencia con la que usted realiza estas tareas. Para reducir la exposición a estas sustancias químicas: trabaje en un área bien ventilada, y utilice equipo de seguridad aprobado como, por ejemplo, máscaras contra el polvo que hayan sido específicamente diseñadas para filtrar partículas microscópicas.

DESCRIPCION FUNCIONAL

1. Mango lateral
2. Seguro para trabar la flecha
3. Bloqueo del interruptor (6116-30, 6122-30, 6122-30A, 6123-30, 6140-30, 6148-30, 6160-30)
4. Desbloqueo del interruptor (6116-30, 6116-31, 6140-30, 6148-30, 6148-31, 6160-30, 6160-31)
5. Interruptor de paleta (6116-30, 6116-31, 6140-30, 6148-30, 6148-31, 6160-30, 6160-31)
6. Entrada para mango lateral
7. Palanca de traba de la guarda
8. Guara tipo << 27 >>
9. Interruptor del gatillo (6122-30, 6122-30A, 6122-31, 6122-31A, 6123-30, 6123-31)
10. Interruptor deslizante (6116-33, 6140-33, 6148-33, 6160-33)



TIERRA

⚠ ADVERTENCIA Puede haber riesgo de descarga eléctrica si se conecta el cable de conexión de puesta a tierra incorrectamente. Consulte con un electricista certificado si tiene dudas respecto a la conexión de puesta a tierra del tomacorriente. No modifique el enchufe que se proporciona con la herramienta. Nunca retire la clavija de conexión de puesta a tierra del enchufe. No use la herramienta si el cable o el enchufe está dañado. Si está dañado antes de usarlo, llévelo a un centro de servicio *MILWAUKEE* para que lo reparen. Si el enchufe no se acopla al tomacorriente, haga que un electricista certificado instale un toma-corriente adecuado.

Herramientas con conexión a tierra: Herramientas con enchufes de tres clavijas

Las herramientas marcadas con la frase "Se requiere conexión de puesta a tierra" tienen un cable de tres hilos y enchufes de conexión de puesta a tierra de tres clavijas. El enchufe debe conectarse a un tomacorriente debidamente conectado a tierra (véase la Figura A). Si la herramienta se averiara o no funcionara correctamente, la conexión de puesta a tierra proporciona un trayecto de baja resistencia para desviar la corriente eléctrica de la trayectoria del usuario, reduciendo de este modo el riesgo de descarga eléctrica.

La clavija de conexión de puesta a tierra en el enchufe está conectada al sistema de conexión de puesta a tierra de la herramienta a través del hilo verde dentro del cable. El hilo verde debe ser el único hilo conectado al sistema de conexión de puesta a tierra de la herramienta y nunca se debe unir a una terminal energizada.

Su herramienta debe estar enchufada en un tomacorriente apropiado, correctamente instalado y conectado a tierra según todos los códigos y reglamentos. El enchufe y el tomacorriente deben asemejarse a los de la Figura A.

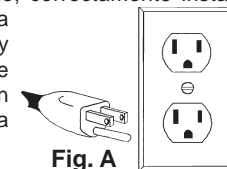


Fig. A

Herramientas con doble aislamiento: Herramientas con clavijas de dos patas

Las herramientas marcadas con "Doble aislamiento" no requieren conectarse "a tierra". Estas herramientas tienen un sistema aislante que satisface los estándares de OSHA y llena los estándares aplicables de UL (Underwriters Laboratories), de la Asociación Canadiense de Estándares (CSA) y el Código Nacional de Electricidad. Las herramientas con doble aislamiento pueden ser usadas en cualquiera de los toma corriente de 120 Volt mostrados en las Figuras B y C.

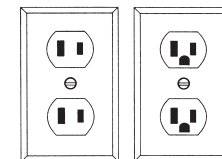


Fig. B

Fig. C

Simbología

	Con doble aislamiento
	Volts corriente alterna
	Amperios
$n_0 \text{ xxx } \text{min.}^{-1}$	Revoluciones por minuto sin carga (rpm)
	Underwriters Laboratories, Inc., Estados Unidos y Canadá
	Marca mejicana de la aprobación

EXTENSIONES ELECTRICAS

Las herramientas que deben conectarse a tierra cuentan con clavijas de tres patas y requieren que las extensiones que se utilicen con ellas sean también de tres cables. Las herramientas con doble aislamiento y clavijas de dos patas pueden utilizarse indistintamente con extensiones de dos a tres cables. El calibre de la extensión depende de la distancia que exista entre la toma de la corriente y el sitio donde se utilice la herramienta. El uso de extensiones inadecuadas puede causar serias caídas en el voltaje, resultando en pérdida de potencia y posible daño a la herramienta. La tabla que aquí se ilustra sirve de guía para la adecuada selección de la extensión.

Mientras menor sea el número del calibre del cable, mayor será la capacidad del mismo. Por ejemplo, un cable calibre 14 puede transportar una corriente mayor que un cable calibre 16. Cuando use más de una extensión para lograr el largo deseado, asegúrese que cada una tenga al menos, el mínimo tamaño de cable requerido. Si está usando un cable de extensión para más de una herramienta, sume los amperes de las varias placas y use la suma para determinar el tamaño mínimo del cable de extensión.

Guías para el uso de cables de extensión

- Si está usando un cable de extensión en sitios al aire libre, asegúrese que está marcado con el sufijo "W-A" ("W" en Canadá) el cual indica que puede ser usado al aire libre.
- Asegúrese que su cable de extensión está correctamente cableado y en buenas condiciones eléctricas. Cambie siempre una extensión dañada o hágala reparar por una persona calificada antes de volver a usarla.
- Proteja su extensión eléctrica de objetos cortantes, calor excesivo o áreas mojadas.

Calibre mínimo recomendado para cables de extensiones eléctricas*

Amperios (En la placa)	Largo de cable de Extensión en (m)					
	7,6	15,2	22,8	30,4	45,7	60,9
0 - 5,0	16	16	16	14	12	12
5,1 - 8,0	16	16	14	12	10	--
8,1 - 12,0	14	14	12	10	--	--
12,1 - 15,0	12	12	10	10	--	--
15,1 - 20,0	10	10	10	--	--	--

* Basado en limitar la caída en el voltaje a 5 volts al 150% de los amperios.

LEA Y GUARDE TODAS LAS INSTRUCCIONES PARA FUTURAS REFERENCIAS.

Especificaciones

Cat. No.	Volts c.d.	Amps	RPM	Tamaño de Flecha	Tamaño del Disco
6122-30	120	10	10 000	5/8"-11	115 mm (4½")
6122-30A	120	10	10 000	5/8"-11	127 mm (5")
6122-31	120	10	10 000	5/8"-11	115 mm (4½")
6122-31A	120	10	10 000	5/8"-11	127 mm (5")
6140-30	120	7.5	10 000	5/8"-11	115 mm (4½")
6140-33	120	7	10 000	5/8"-11	115 mm (4½")
6148-30	120	10	10 000	5/8"-11	115 mm (4½")
6148-31	120	10	10 000	5/8"-11	115 mm (4½")
6148-33	120	10	10 000	5/8"-11	115 mm (4½")
6116-30	120	12	10 000	5/8"-11	115/127 mm (4½"/5")
6116-31	120	12	10 000	5/8"-11	115/127 mm (4½"/5")
6116-33	120	12	10 000	5/8"-11	115/127 mm (4½"/5")
6160-30	120	12	9 000	5/8"-11	152 mm (6")
6160-31	120	12	9 000	5/8"-11	152 mm (6")
6160-33	120	12	9 000	5/8"-11	152 mm (6")
6123-30	120	12	9 000	5/8"-11	127/152 mm (5"/6")
6123-31	120	12	9 000	5/8"-11	127/152 mm (5"/6")

ENSAMBLAJE DE LA HERRAMIENTA

ADVERTENCIA Para reducir el riesgo de una lesión, desconecte siempre la herramienta antes de fijar o retirar accesorios, o antes de efectuar ajustes. Utilice sólo los accesorios específicamente recomendados. El uso de otros accesorios puede ser peligroso.

Instalación del mango lateral

El mango lateral puede instalarse en ambos lados (en todos los modelos) o en la parte superior de la caja de engranajes (en determinados modelos). Colóquelo del lado que le ofrezca mejor control y protección. Para montarlo, simplemente enrosque el mango en el orificio del lado deseado y apriételo firmemente.

ADVERTENCIA Para reducir el riesgo de lesión:

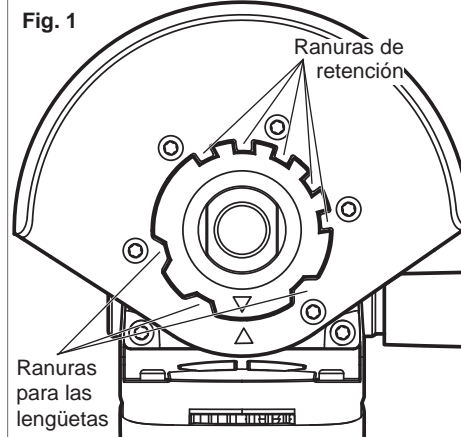
- SIEMPRE instale la guarda de protección.
- SIEMPRE verifique que esté bien instalada.
- SIEMPRE tome la esmeriladora firmemente con las dos manos antes de iniciar el esmerilado.
- NUNCA use un disco abrasivo que haya sido golpeado.
- NUNCA golpee el abrasivo contra la superficie de trabajo.
- NUNCA esmerile sin tener el equipo de seguridad adecuado.

Instalación, extracción y ajuste del protector

Esta herramienta se envía con una guarda. Se debe usar el protector cuando se use la herramienta como esmeriladora. Cuando se use como lijadora, se debe quitar.

1. Para **quitar** el protector, desenchufar la herramienta y quitar todos los accesorios del vástago.
2. Presionar la palanca de traba y girar el protector para alinear las lengüetas con las ranuras, como se muestra.
3. Presionar la palanca de traba y levantar el protector, alejándolo de la herramienta.
4. Para **instalar** el protector, desenchufar la herramienta y quitar todos los accesorios del vástago.

5. Alinear las lengüetas con las ranuras, como se muestra.
6. Presionar la palanca de traba y presionar el protector hacia abajo, contra la herramienta.
7. Para **ajustar** el protector, presionar la palanca de traba y girar el protector a una de las cinco ranuras de retención.

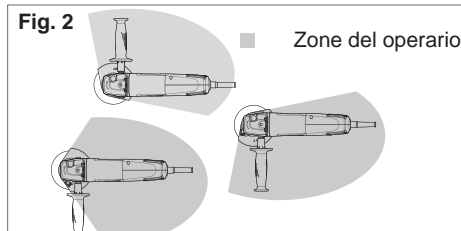


ADVERTENCIA Utilice solamente los discos con una velocidad máxima para una operación segura, mayores que las R.P.M. indicadas en la placa de especificaciones de la herramienta. Esta velocidad se basa en la resistencia del disco y permite una medida de seguridad razonable. Esto no implica que ésta velocidad sea mejor u óptima. No exceda la velocidad máxima para una operación segura.

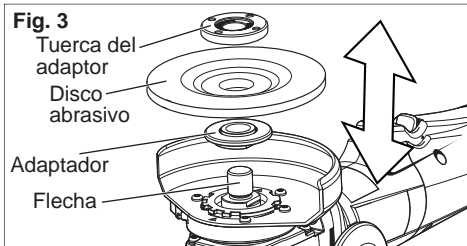
Instalación de discos abrasivos

Asegúrese de que la muela abrasiva no se extienda más allá de la parte inferior de la guarda. Las muelas abrasivas con eje roscado pueden requerir una guarda más larga (consulte "Accesorios").

1. Desconecte la herramienta.
2. Ubique adecuadamente la protección (Fig. 2).

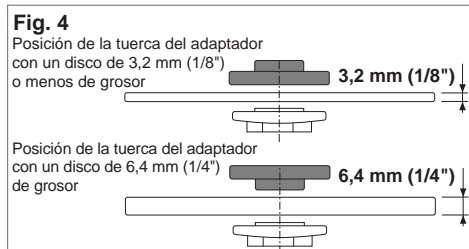


3. Pase un trapo a la brida, a la tuerca de la brida y al vástago para sacar todo el polvo y los desechos. Inspeccione las partes para ver si están dañadas. Reemplácelas si es necesario.



4. Coloque la brida en el vástago (Fig. 3).
5. Coloque el disco seleccionado en el vástago y alinéelo con la brida.

6. Ubique la tuerca de brida sobre el vástago según el espesor del disco (Fig. 4).



7. Presione el botón de bloqueo del vástago mientras gira la tuerca de brida hacia la derecha. Apriete firmemente con una llave de gancho.
8. Para sacar el disco, desconecte la herramienta e invierta el proceso.

OPERACION

ADVERTENCIA Para reducir el riesgo de una lesión, desconecte siempre la herramienta antes de fijar o retirar accesorios, o antes de efectuar ajustes. Utilice sólo los accesorios específicamente recomendados. El uso de otros accesorios puede ser peligroso.

ADVERTENCIA Para reducir el riesgo de una lesión, use siempre lentes de seguridad o anteojos con protectores laterales.

Arranque controlado (6116-30, 6116-31, 6116-33, 6123-30, 6123-31, 6160-30, 6160-31, 6160-33)

La característica de arranque controlado reduce el "tirón" de reacción del par de fuerza cuando se tira del gatillo.

Tacómetro de velocidad constante (6116-30, 6116-31, 6116-33, 6123-30, 6123-31, 6160-30, 6160-31, 6160-33)

El tacómetro de velocidad constante mantiene las revoluciones por minuto de la herramienta a velocidad casi constante, incluso bajo carga. El tacómetro también ayuda a impedir que la herramienta se caliente en exceso. La herramienta se apaga automáticamente cuando el motor se sobrecarga. Se puede volver a arrancar apretando el gatillo de nuevo.

Funcionamiento del interruptor deslizante (6116-33, 6140-33, 6148-33, 6160-33)

Para **encender** la herramienta, sujete el mango y el mango lateral firmemente y deslice el interruptor hasta la posición ENCENDIDO.

Para **parar** la herramienta, suelte el interruptor. Asegúrese de que la herramienta se detenga por completo antes de soltarla.

Para **bloquear** el interruptor en la posición encendido, deslice el interruptor hasta la posición ENCENDIDO y luego presione hacia abajo en la parte delantera del interruptor. Para parar la herramienta, presione y suelte el interruptor. Asegúrese de que la herramienta se detenga por completo antes de soltarla.

Funcionamiento del interruptor de paleta (6116-30, 6116-31, 6160-30, 6140-30, 6148-30, 6148-31, 6160-31)

Para **encender** la herramienta, sujete el mango y el mango lateral firmemente. Presione el botón de desbloqueo y apriete el interruptor de paleta.

Para **detener** la herramienta, suelte el interruptor de paleta. Asegúrese de que la herramienta se detenga por completo antes de soltarla.

Para **bloquear** el interruptor (6116-30, 6140-30, 6148-30, 6160-30 únicamente), encienda la herramienta y presione el botón de bloqueo. Para detener la herramienta, apriete y suelte el interruptor de paleta. Asegúrese de que la herramienta se detenga por completo antes de soltarla.

Funcionamiento del interruptor de gatillo (6122-30, 6122-30A, 6122-31, 6122-31A, 6123-30, 6123-31)

Para **encender** la herramienta, agarre el mango y el mango lateral firmemente y tire del gatillo.

Para **parar** la herramienta, suelte el interruptor. Make sure the tool comes to a complete stop before laying the tool down.

Para **bloquear** el interruptor (6122-30, 6122-30A, 6123-30 únicamente), encienda la herramienta y presione el botón de bloqueo. Para parar la herramienta, presione y suelte el gatillo. Asegúrese de que la herramienta se detenga por completo antes de soltarla.

Funcionamiento general

- Si usted acaba de instalar un disco abrasivo o está por empezar un trabajo, pruebe el disco dejándolo que gire por un minuto antes de aplicarlo sobre la superficie. Cuando los discos están desbalanceados, pueden dañar el material, la herramienta y causar fatiga al disco y provocar que este falle.
- Utilice un broche, una prensa de tornillo o cualquier otro medio práctico para sujetar su trabajo, liberando así ambas manos para controlar la herramienta.
- Sujete la herramienta de manera segura con ambas manos.
- Encienda la herramienta.
- Permita que el disco alcance su máxima velocidad antes de iniciar el esmerilado.
- Controle la presión y el contacto entre la superficie y el disco. Una presión excesiva disminuye la velocidad del disco.
- Cuando haya terminado, apague la herramienta y asegúrese de que se detenga por completo antes de soltarla.

USO DE LOS DISCOS ABRASIVOS

ADVERTENCIA Para reducir el riesgo de lesión, deberá instruirse al operario en el uso, cuidados y protección de los discos abrasivos.

Selección del Ruedas Abrasivas

Use ruedas abrasivas que sean:

- del tamaño correcto como lo indica la placa de la herramienta.
- el tipo de disco correcto así como el grano adecuado para el trabajo.
- que esté marcado para operarse a las mismas o mas de las RPM como lo indica la placa de la herramienta.

Esmerilar es la acción de cortar con miles de granos abrasivos que se encuentran en la cara de un disco o de una piedra abrasiva. Cuando esmerile metales como acero y hierro, seleccione un abrasivo de óxido de aluminio. Cuando esmerile piedra o concreto, utilice uno de carburo de silicio. Utilice discos reforzados con algodón para metales no ferrosos.

Los discos reforzados Tipo 27 de 3,2 mm (1/8") o menos son ideales para operaciones de corte y de acanalado solamente.

Siempre maneje los abrasivos con cuidado para evitar dañarlos. Antes de instalarlos revise sin no tienen grietas o cuarteaduras. Si están dañados, deséchelos para evitar que otras personas los usen.

Cuidado de las Ruedas Abrasivas

Las ruedas abrasivas deben protegerse de:

- humedad y humedad extrema.
- cualquier tipo de solvente.
- cambios extremos de temperatura.
- caídas y golpes.

Las piedras abrasivas deben guardarse:

- en una forma organizada de forma tal que puedan tomarse, sin dañar, otras piedras abrasivas.
- con su información de seguridad.

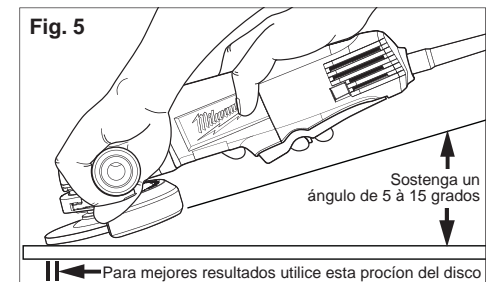
Las piedras abrasivas NO deben:

- dejarse caer.
- rodarse.
- golpearse.

Si un abrasivo cae, se rueda o se golpea, o se somete a cambios extremos de temperatura, o ha estado en contacto con solventes o humedad, deséchelo de inmediato.

Esmerilando

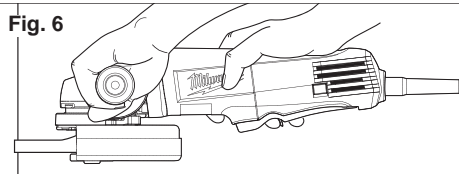
Cuando esmerile, mantenga la unidad en un ángulo de entre 5 y 15 grados, como se ilustra, usando una presión constante para un terminado uniforme. Un ángulo excesivo provoca concentración de presión en áreas pequeñas lo que se traduce en daños al material o quemaduras en la superficie del trabajo.



USANDO DISCOS DE CORTE

ADVERTENCIA Se debe instalar una guarda tipo 1 cuando utilice un disco cortador para proporcionar una máxima protección para el operador en caso que el disco se rompa.

Los discos reforzados Tipo 1 son ideales para operaciones de corte y de acanalado solamente. Cuando use discos de corte, sostenga su esmeriladora tal como se ilustra, usando solo la orilla del disco.



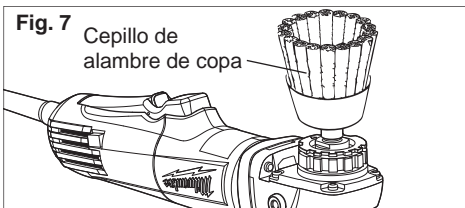
ADVERTENCIA Si se usa la cara de un disco de corte (como si se esmerilara), se podrá causar fracturas al mismo y podrá llegar a romperse, resultando en serias lesiones al operario.

USO DE LOS CEPILLOS DE ALAMBRE

ADVERTENCIA Todas las personas en el área de trabajo deberán usar lentes de seguridad y ropa de protección o en su caso, caretas de seguridad. Lo anterior es debido a que habrá partículas del alambre y residuos del mismo que, por fatiga del material, se desprenderán del cepillo a una fuerza considerable.

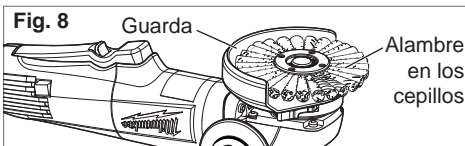
Los cepillos son útiles para remover óxidos, polvos, exceso de soldadura, etc. Existe una amplia variedad de ellos para muchas aplicaciones.

Instale siempre los cepillos de alambre de copa según las instrucciones del fabricante del accesorio.



ADVERTENCIA Nunca exceda la velocidad máxima de operación del cepillo. No use cepillos dañados o que funcionen inadecuadamente (que lancen partículas o estén desbalanceados, etc.) Estas condiciones aumentan el riesgo de una falla posterior mayor y una posible lesión. Descarte y reemplace inmediatamente los cepillos dañados.

Al utilizar un cepillo de alambre de copa, instale la guarda como se indica en la sección "Instalación/extracción de accesorios".



Pruebe un cepillo de alambre para observar su balance y fibras dañadas, haciéndolo trabajar libremente por lo menos un minuto antes de iniciar el trabajo. Durante este tiempo, no permita que haya personas cerca de la herramienta.

Cuando opere el cepillo, no aplique mucha presión ya que si lo hace, las cerdas se doblarán en exceso, se creará excesivo calor y se tendrá como resultado de ello, roturas prematuras de fibras o cerdas y una corta vida del cepillo. En lugar de aplicar mas presión, pruebe un cepillo que tenga una capacidad de corte mas agresiva (sea por mayor calibre del alambre, cerdas mas cortas o un tipo de cepillo diferente, por ejemplo, un cepillo anudado en lugar de uno con alambre rizado).

ADVERTENCIA Nunca exceda la velocidad máxima de operación del cepillo. No use cepillos dañados o que funcionen inadecuadamente (que lancen partículas o estén desbalanceados, etc.) Estas condiciones aumentan el riesgo de una falla posterior mayor y una posible lesión. Descarte y reemplace inmediatamente los cepillos dañados.

USO DE LOS DISCOS DE LIJA

Selección del Disco de Lija

Use discos de lija que sean:

- del tamaño correcto como lo indica la placa de la herramienta.
- el tipo de disco correcto así como el grano adecuado para el trabajo.
- que esté marcado para operarse a las mismas o mas de las RPM en la sección de "ADVERTENCIA" de la placa de especificaciones de la herramienta.

Utilice como referencia la tabla que a continuación se presenta para seleccionar el disco. Generalmente use grano 24 o 36 para remociones fuertes de metal; granos 50, 60 o 80 para remociones medias y grano 120 para acabados. Empiece siempre con un grano burdo, usando posteriormente granos mas finos para obtener el acabado deseado. Vea Catalogue para una lista completa de los discos para lijado MILWAUKEE.

Discos de Oxido de aluminio

Para desbaste rápido y aplicaciones generales en la mayoría de las operaciones en metal. Ideal para acero rolado en frio, acero inoxidable o metales que requieran abrasivos de larga vida, desbaste rápido y rudo.

Discos de Sircónes de aluminio

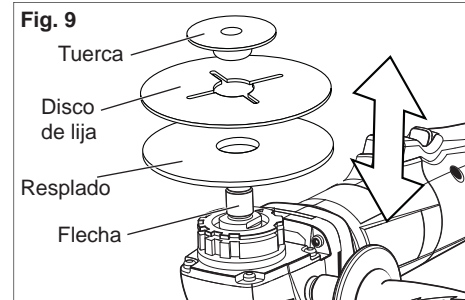
Su diseño especial de grano permite remover rápidamente el material. Ideal para operaciones sobre pintura de autos, lanchas, etc. sin que se obstruyan.

Discos de cerámica

Ideales para aplicaciones generales en metal porque duran hasta tres veces el tiempo de los discos de óxido de aluminio.

Instalación de respaldos y discos de lija

1. Desconecte la herramienta.
2. Pase un trapo a los accesorios, a la tuerca del disco y al vástagos para sacar todo el polvo y los desechos.
3. Coloque el respaldo en la flecha de forma que la superficie plana quede alejada de la caja de engranes.

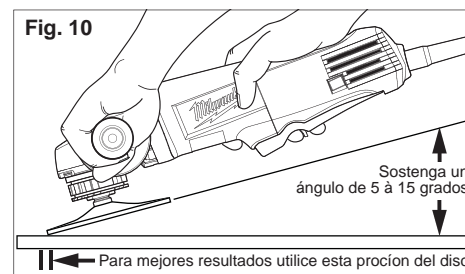


4. Coloque el disco abrasivo en el respaldo y asegúrelo a la flecha con la tuerca.
5. Para apretarlo, presione el seguro que traba la flecha al tiempo que gira el disco en dirección de las manecillas de un reloj, con la llave que se incluye como equipo.
6. Para desmontar el respaldo y el disco abrasivo, desconecte la herramienta y haga el procedimiento a la inversa.

Lijado

Cuando esmerile, mantenga la unidad en un ángulo de entre 5 y 15 grados, como se ilustra, usando una presión constante para un terminado uniforme. Un ángulo excesivo provoca concentración de presión en áreas pequeñas lo que se traduce en daños al material o quemaduras en la superficie del trabajo.

Lije con movimientos largos y rítmicos, de lado a lado del material, con avances hacia adelante para producir el acabado deseado.



Lijado cruzado

Cuando vaya a darle el acabado a una superficie que ha sido preparada por un disco de lija de grano grueso o disco abrasivo, lije en ángulos rectos las marcas que le haya hecho el abrasivo anterior. Las marcas que deja el disco anterior son fácilmente visibles y se pueden quitar con un acabado uniforme. Si no se hace este lijado cruzado cuando

se pasa de un abrasivo grueso al abrasivo para acabado puede resultar en marcas profundas y circulares.

Remoción De Soldadura o Marcas De Martillos

Para esta operación, limite el lijado a las superficies inmediatas. Utilice posteriormente granos finos para emparejar la superficie.

Acabado en metal

Muévase constantemente a través de la superficie. Trabaje mas rápidamente en las superficies curvas, en donde las areas de contacto son menores y la presión es mayor. Al final de la pasada pueden aparecer marcas planas, cuando la presión es muy alta. Reduzca la presión al final de cada pasada y cuando haga pasadas en reversa.

MANTENIMIENTO

⚠ ADVERTENCIA Para reducir el riesgo de lesiones, desconecte siempre la herramienta antes de darle cualquier mantenimiento. Nunca desarme la herramienta ni trate de hacer modificaciones en el sistema eléctrico de la misma. Acuda siempre a un Centro de Servicio MILWAUKEE para TODAS las reparaciones.

Mantenimiento de las herramientas

Adopte un programa regular de mantenimiento y mantenga su herramienta en buenas condiciones. Antes de usarla, examine las condiciones generales de la misma. Inspeccione guardas, interruptores, el cable de la herramienta y el cable de extensión. Busque tornillos sueltos o flojos, defectos de alineación y dobleces en partes móviles, así como montajes inadecuados, partes rotas y cualquier otra condición que pueda afectar una operación segura. Si detecta ruidos o vibraciones anormales, apague la herramienta de inmediato y corrija el problema antes de volver a usarla. No utilice una herramienta dañada. Colóquela en una etiqueta que diga "NO DEBE USARSE" hasta que sea reparada (vea "Reparaciones").

Bajo condiciones normales, no se requiere lubricación hasta que haya que cambiar los carbones. Después de 6 meses a un año, dependiendo del uso dado, envíe su herramienta al Centro de Servicio MILWAUKEE más cercano para que le hagan:

Solución a los problemas

Las marcas profundas y circulares pueden deberse a:

- Usar un grano muy grueso
- Usar un disco parcialmente cristalizado
- Polvo o rebabas sueltas en el material a lijar
- No haber lijado en forma cruzada, a través del grano, cuando se cambió de un abrasivo con grano grueso a un disco para acabados.
- Por no haber usado un disco mas cerrado para reducir el problema de partículas del abrasivo suelto sobre la superficie a trabajar.

Cuando la superficie del metal se pone azulosa, esto indica:

- Que se ha causado un calor excesivo por movimientos circulares en areas muy pequeñas.
- Presión excesiva
- Por usar discos gastados o cristalizados.

- Lubricación
- Inspección y cambio de carbones
- Inspección mecánica y limpieza (engranes, flechas, baleros, carcarza, etc.)
- Inspección eléctrica (interruptor, cable, armadura, etc.)
- Probarla para asegurar una operación mecánica y eléctrica adecuada.

⚠ ADVERTENCIA Para reducir el riesgo de lesiones, descarga eléctrica o daño a la herramienta, nunca la sumerja en líquidos ni permita que estos fluyan dentro de la misma.

Limpieza

Limpie el polvo y suciedad de las ventilas. Mantenga las empuñaduras de la herramienta limpias, secas y libres de aceite y grasa. Use sólo jabón neutro y un trapo húmedo para limpiar su herramienta ya que algunas substancias y disolventes limpiadores pueden ocasionar daños a materiales plásticos y partes aislantes. Algunos de estos incluyen: gasolina, trementina, diluyente para barniz, diluyente para pintura, disolventes limpiadores clorados, amoníaco, y detergentes caseros que contengan amoníaco.

Reparaciones

Si su instrumento se daña, vuelva el instrumento entero al más cercano centro de reparaciones.

ACCESORIOS

⚠ ADVERTENCIA Para reducir el riesgo de lesiones, siempre desconecte la herramienta antes de cambiar o retirar accesorios. Utilice únicamente accesorios específicamente recomendados para esta herramienta. El uso de accesorios no recomendados podría resultar peligroso.

Para una lista completa de accesorios, refiérase a su catálogo MILWAUKEE Electric Tool o visite nuestro sitio en Internet: www.milwaukeetool.com. Para obtener un catálogo, contacte su distribuidor local o uno de los centros de servicio listos en la página de cubierta de este manual.

GARANTÍA LIMITADA DE CINCO AÑOS

Cada herramienta eléctrica MILWAUKEE (incluyendo el cargador de batería) está garantizada sólo al comprador original de estar libre de defectos en el material y la mano de obra. Sujeto a ciertas excepciones, MILWAUKEE reparará o reemplazará por un período de cinco (5) años* después de la fecha de compra cualquier pieza en una herramienta eléctrica que, después de haber sido examinada, MILWAUKEE determine que está defectuosa en el material o la mano de obra. Regrese la herramienta eléctrica y una copia de la prueba de compra a un concesionario de soporte de ventas/servicio de fábrica MILWAUKEE o a una estación de servicio autorizada MILWAUKEE. Para que esta garantía sea efectiva, se requiere el flete pagado por anticipado y el seguro. Esta garantía no aplica a los daños que MILWAUKEE determine sean ocasionados por reparaciones o intentos de reparación por cualquier otro que personal autorizado por MILWAUKEE, uso indebido, alteraciones, abuso, desgaste y deterioro normal, falta de mantenimiento o accidentes.

* El plazo de garantía para los montacargas (de palanca, de cadena manual y de cadena eléctrica), de todas las baterías de Ni-Cd, de las linternas de trabajo (inalámbricas), de los radios para el lugar de trabajo, y de los carros Trade Titan™ para trabajo industrial es de un (1) año a partir de la fecha de compra. *El plazo de garantía para las baterías de iones de litio que no incluyan tecnología V™ (desde 4,0 voltios hasta 18,0 voltios) es de dos (2) años a partir de la fecha de compra.

*Existe una garantía por separado para las baterías de iones de litio con tecnología V™ (de 18 voltios o más) que viene incluida con las herramientas eléctricas que poseen tecnología V™:

*Cada batería de iones de litio de tecnología V™ de MILWAUKEE de 18 voltios o superior, está cubierta con una garantía de reemplazo gratuito por las primeras 1000 cargas/2 años. Esto significa que por lo que suceda primero, las primeras 1000 cargas o dos (2) años de la fecha de compra/primer carga, se proporcionará sin cargo al cliente, una batería de reemplazo por cualquier batería defectuosa. A partir de entonces, los clientes recibirán una garantía adicional en una base proporcional que puede ser hasta de las primeras 2000 cargas o cinco (5) años de la fecha de compra/primer carga, lo que suceda primero. Esto significa que cada cliente obtiene una garantía proporcional de 1000 cargas o tres (3) años adicionales en la batería de iones de litio de tecnología V™ de 18 voltios o superior, dependiendo de la cantidad de uso. Durante este período adicional de garantía, el cliente paga por sólo el servicio utilizable recibido durante y superior a las primeras 1000 cargas/2 años, de acuerdo a la fecha de la primera carga y al número de cargas encontradas en la batería a través del lector de servicio de tecnología V™ de MILWAUKEE.

El registro de la garantía no es necesario para obtener la garantía aplicable en un producto MILWAUKEE. Si no se presenta ningún comprobante de compra cuando se solicita el servicio de garantía, se tendrá en cuenta la fecha de fabricación del producto para establecer el período de garantía.

LA ACEPTACIÓN DE LOS REMEDIOS EXCLUSIVOS DE REPARACIÓN Y REEMPLAZO AQUÍ DESCRITOS ES UNA CONDICIÓN DEL CONTRATO EN LA COMPRA DE CADA PRODUCTO MILWAUKEE. SI NO ESTÁ DE ACUERDO CON ESTA CONDICIÓN, NO DEBERÍA COMPRAR ESTE PRODUCTO. EN NINGÚN CASO MILWAUKEE SERÁ RESPONSABLE POR CUALESQUIER DAÑO PUNITIVO, CONSECUENTE, ESPECIAL, INCIDENTAL O POR CUALESQUIER COSTO, HONORARIOS DE ABOGADO, GASTOS, PÉRDIDAS O RETRASOS QUE SE ARGUMENTE QUE SEAN UNA CONSECUENCIA DE CUALQUIER DAÑO A, FALLA DE, O DEFECTO EN CUALQUIER PRODUCTO, INCLUYENDO, PERO SIN LIMITARSE A, CUALQUIER RECLAMO POR PÉRDIDAS DE GANANCIAS. ESTA GARANTÍA ES EXCLUSIVA Y REEMPLAZA TODAS LAS DEMÁS GARANTÍAS O CONDICIONES, ORALES O ESCRITAS, EXPRESAS O IMPLÍCITAS. SIN LIMITAR LA GENERALIDAD DE LO ANTERIOR, MILWAUKEE RENUNCIA A TODA GARANTÍA IMPLÍCITA DE COMERCIABILIDAD O APTITUD PARA UN FIN O USO ESPECÍFICO Y DEMÁS GARANTÍAS.

Esta garantía es válida solamente en el producto vendido en los Estados Unidos, México y Canadá.

UNITED STATES - MILWAUKEE Service

MILWAUKEE prides itself in producing a premium quality product that is NOTHING BUT HEAVY DUTY®. Your satisfaction with our products is very important to us! If you encounter any problems with the operation of this tool, or you would like to locate the factory Service/Sales Support Branch or authorized service station nearest you, please call...

1-800-SAWDUST

(1.800.729.3878)

Monday-Friday
7:00 AM - 6:30 PM
Central Time

or visit our website at
www.milwaukeetool.com

For service information, use the 'Service Center Search' icon found in the 'Parts & Service' section.

Additionally, we have a nationwide network of authorized Distributors ready to assist you with your tool and accessory needs. Check your "Yellow Pages" phone directory under "Tools-Electric" for the names & addresses of those nearest you or see the 'Where To Buy' section of our website.

Contact our Corporate After Sales Service Technical Support about ...

- Technical Questions
- Service/Repair Questions
- Warranty

call: 1-800-SAWDUST

fax: 1.800.638.9582

email: metproductsupport@milwaukeetool.com

Register your tool online at www.milwaukeetool.com and...

- receive important notifications regarding your purchase
- ensure that your tool is protected under the warranty
- become a HEAVY DUTY club member

Canada - Service MILWAUKEE

MILWAUKEE est fier de proposer un produit de première qualité NOTHING BUT HEAVY DUTY®. Votre satisfaction est ce qui compte le plus!

En cas de problèmes d'utilisation de l'outil ou pour localiser le centre de service/ventes ou le centre d'entretien le plus proche, appelez le...

416.439.4181

fax: 416.439.6210

Milwaukee Electric Tool (Canada) Ltd
755 Progress Avenue
Scarborough, Ontario M1H 2W7

Notre réseau national de distributeurs agréés se tient à votre disposition pour fournir l'aide technique, l'outillage et les accessoires nécessaires. Composez le 416.439.4181 pour obtenir les noms et adresses des revendeurs les plus proches ou bien consultez la section «Où acheter» sur notre site web à l'adresse

www.milwaukeetool.com

MEXICO - Soporte de Servicio MILWAUKEE

Milwaukee Electric Tool, S.A. de C.V.

Bld. Abraham Lincoln no. 13

Colonia Los Reyes Zona Industrial

Tlalnepanitla, Edo. México C.P. 54073

Tel. (55) 5565-1414 Fax: (55) 5565-6874

Adicionalmente, tenemos una red nacional de distribuidores autorizados listos para ayudarle con su herramienta y sus accesorios. Por favor, llame al (55) 5565-1414 para obtener los nombres y direcciones de los más cercanos a usted, o consulte la sección 'Where to buy' (Dónde comprar) de nuestro sitio web en

www.milwaukeetool.com

Registre su herramienta en línea, en www.milwaukeetool.com y...

- reciba importantes avisos sobre su compra
- asegúrese de que su herramienta esté protegida por la garantía
- conviértase en integrante de Heavy Duty

MILWAUKEE ELECTRIC TOOL CORPORATION

13135 West Lisbon Road • Brookfield, Wisconsin, U.S.A. 53005