



Buy it for looks. Buy it for life.®

# Specifications

## DESCRIPTION

- ADA compliant operation
- Metal and brass construction with various finishes identified by suffix
- Inlets and outlets on same plane
- Supplied with vandal resistant screws


## OPERATION

- Lever style handle
- Detents at each flow position
- Rotary 360° handle operation
- Valve operates 3 independent functions

## CARTRIDGE

- Ceramic disk cartridge
- Pair with 3362, 3 function transfer rough-in valve

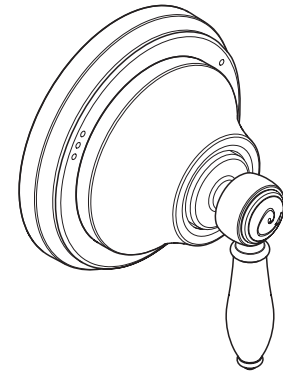
## STANDARDS

- Third party certified to meet ASME A112.18/CSA B125.1 and all applicable requirements therein
- ADA  for lever handle

## WARRANTY

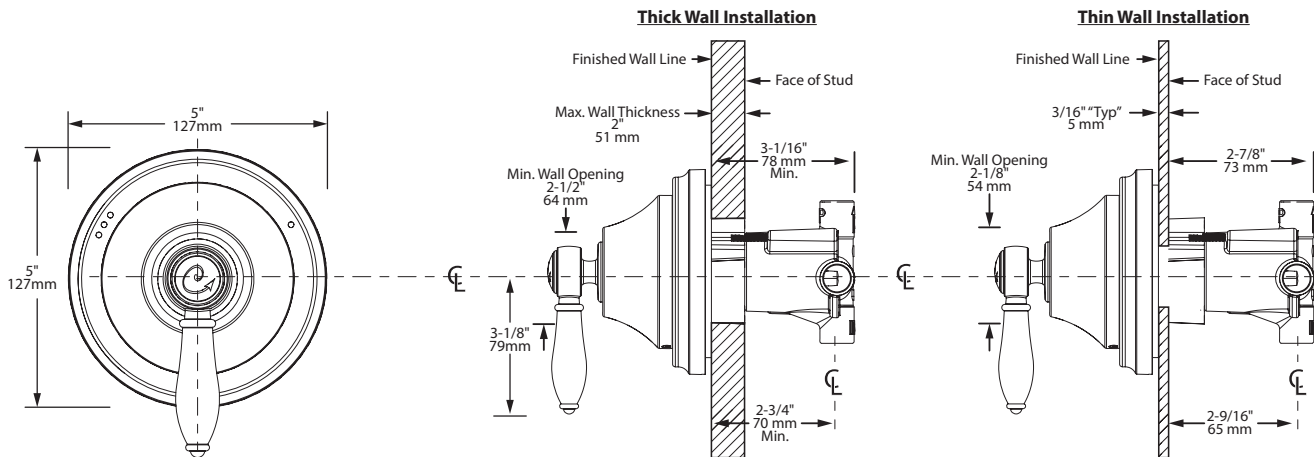
- Lifetime limited warranty against leaks, drips and finish defects to the original homeowner
  - 10 year limited warranty when used in a multifamily installation
  - 5 year limited warranty when used in a commercial installation
- Visit [www.moen.com/support](http://www.moen.com/support) for complete details and limitations

**NOTE:** This valve is not intended to be used as a shut-off valve. To prevent the potential of cross flow, check valves must be integral to the supply valve or installed in both hot and cold water supply lines.



## Weymouth™ Three-Independent Function Transfer Valve Trim Kit

**Models:** TS32206 series  
**Valve:** 3362



## CRITICAL DIMENSIONS

(DO NOT SCALE)