



# ENGINEERING EXCELLENCE

Legacy Series #2LG220

SPECIFICATION SHEET

### DESCRIPTION

- Single Handle Pull-Out Kitchen Faucet
- Metal Lever Handle
- Pull-Out Head with 2 Spray Patterns Swivel 180°
- 9" Reach, 7" from Deck to Aerator
- Ceramic Disc Cartridge with Temperature Limit Stop
- 1 or 3 Hole 8" Installation
- Integral Vacuum Breaker
- SS Flex Connectors

### FINISHES

- PC PVD Polished Chrome
- SS PVD Stainless Steel
- BN PVD Brushed Nickel
- PB PVD Polished Brass
- ORB Oil Rubbed Bronze



#2LG220 SHOWN \* ADA 

### STANDARDS APPLICABLE

- ASME A112.18.1
- ANSI A117.1
- ANSI / NSF 61, SECTION 9
- CUPC / IAPMO LISTED / ADA COMPLIANT
- CONTAINS NO MORE THAN 0.25% WEIGHTED AVERAGE LEAD CONTENT

### FLOW

- Pull-Out Spray Head Limited to 2.0 GPM

Model #: \_\_\_\_\_

Specific Features: \_\_\_\_\_

Project Name: \_\_\_\_\_

Submitted For: \_\_\_\_\_

Model	Description	Finishes	
#2LG220	Single Handle Pull-Out Kitchen Faucet	<input type="checkbox"/> PC	<input type="checkbox"/> Other____



ENGINEERING EXCELLENCE

Pioneer:1-800-338-9468

Commerce, CA 90040

www.pioneerind.com

Pioneer Industries, Inc. © 2013

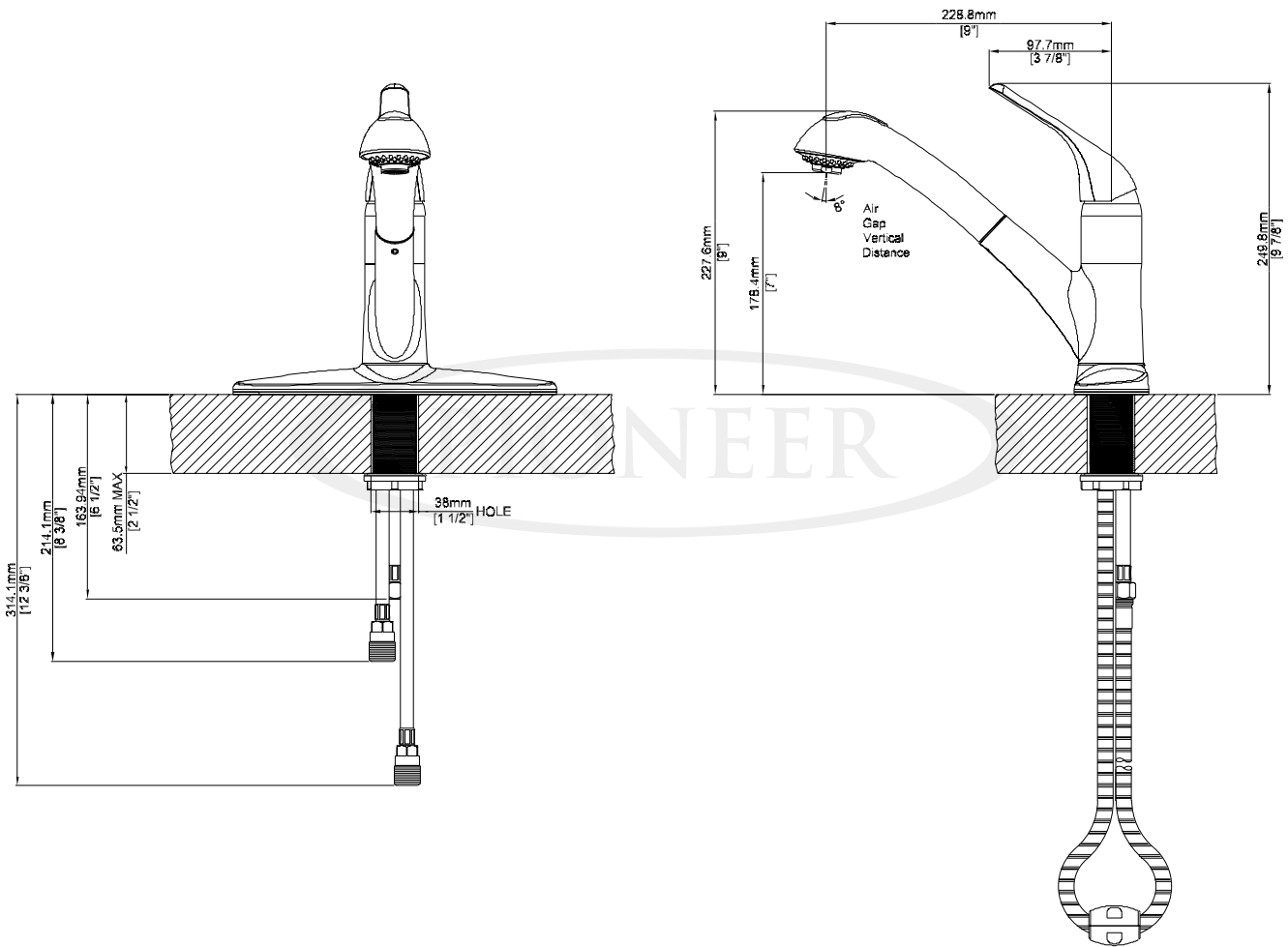
DMSP2LG220/REV. 12 2012

Page 1 of 2

**Installation Note:**

Faucet Hole Size :- 1-1/2"

Maximum Deck Thickness:- 2-1/2"



**Product Diagram**



ENGINEERING EXCELLENCE

Pioneer:1-800-338-9468

Commerce, CA 90040

www.pioneerind.com

Pioneer Industries, Inc. © 2013