



# ENGINEERING EXCELLENCE

Legacy Series #2LG162

PARTS BREAKDOWN SHEET

### DESCRIPTION

- Single Handle Kitchen Faucet
- Metal Lever Handle
- Spout Swivel 360°
- 9-11/16" Reach, 5-7/8" From Deck to Aerator
- Ceramic Disc Cartridge with Temperature Limit Stop
- 3-Hole 8" Installation
- Side Spray Assembly on Deck

### FINISHES

- PC PVD Polished Chrome
- SS PVD Stainless Steel
- BN PVD Brushed Nickel
- PB PVD Polished Brass
- ORB Oil Rubbed Bronze



#2LG162 SHOWN \* ADA 

### STANDARDS APPLICABLE

- ASME A112.18.1
- ANSI A117.1
- ANSI / NSF 61, SECTION 9
- CUPC / IAPMO LISTED / ADA COMPLIANT
- CONTAINS NO MORE THAN 0.25% WEIGHTED AVERAGE LEAD CONTENT

### FLOW

- Aerator Limited to 1.5 GPM

Model #: \_\_\_\_\_

Specific Features: \_\_\_\_\_

Project Name: \_\_\_\_\_

Submitted For: \_\_\_\_\_

Model	Description	Finishes	
#2LG162	Single Handle Kitchen Faucet	<input type="checkbox"/> PC	<input type="checkbox"/> Other__



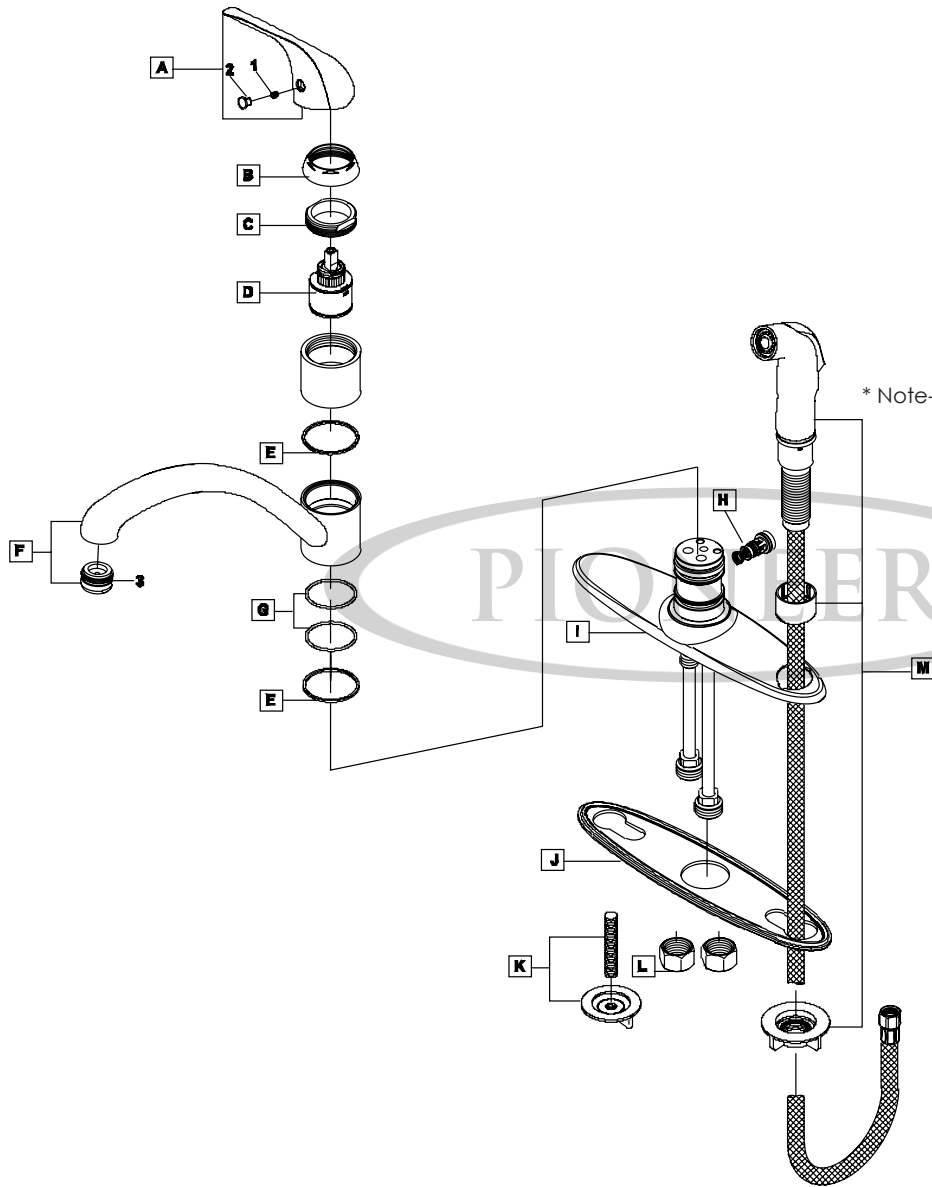
ENGINEERING EXCELLENCE

Pioneer: 1-800-338-9468  
 Commerce, CA 90040  
 www.pioneerind.com  
 Pioneer Industries, Inc. © 2013

DMPB2LG162/REV. 12 2012  
 Page 1 of 2

	ITEM#	DESCRIPTION
A	X-1200001*	Legacy Lever Handle
B	X-4200001*	Retainer Cap
C	X-4200002	Retainer Nut
D	X-3900001	Ceramic Disc Cartridge
E	X-4200003	Spout Gasket
F	X-2200001*	Legacy Spout
G	X-4200004	O-Ring
H	X-4200007	Diverter Piston
I	X-4200010*	Deck Plate
J	X-4200006	Base Plate
K	X-5200002	Mounting Kit
L	X-4900004	Supply Nut
M	X-4200009*	Side Spray Assembly
1	X-4900001	Hot & Cold Indicator
2	X-4900002	Allen Screw
3	X-4900081*	1.5 GPM Aerator

\* Note- Please specify finish/color code while ordering.



Product Diagram



ENGINEERING EXCELLENCE

Pioneer: 1-800-338-9468  
 Commerce, CA 90040  
 www.pioneerind.com  
 Pioneer Industries, Inc. © 2013