



ENGINEERING EXCELLENCE

Gibraltar Series #2GB250

PARTS BREAKDOWN SHEET

DESCRIPTION

- Single Handle PullDown Kitchen Faucet
- Metal Lever Handle
- Pull-Down Head with 2 Spray Patterns Swivel 360°
- 8-5/8" Reach, 9-7/8" from Deck to Aerator
- Ceramic Disc Cartridge with Temperature Limit Stop
- 1 Hole Installation
- Ball Joint Swivel Spray Head

FINISHES

- PC PVD Polished Chrome
- BN PVD Brushed Nickel
- SS PVD Stainless Steel
- PN PVD Polished Nickel
- ORB Oil Rubbed Bronze



#2GB250 SHOWN * ADA 

STANDARDS APPLICABLE

- ASME A112.18.1
- ANSI A117.1
- ANSI / NSF 61, SECTION 9
- CUPC / IAPMO LISTED / ADA COMPLIANT
- CONTAINS NO MORE THAN 0.25% WEIGHTED AVERAGE LEAD CONTENT

FLOW

- Spray Head Limited to 2.0 GPM

Model #: _____

Specific Features: _____

Project Name: _____

Submitted For: _____

Model	Description	Finishes	
#2GB250	Single Handle Pull-Down Kitchen Faucet	<input type="checkbox"/> PC	<input type="checkbox"/> Other____



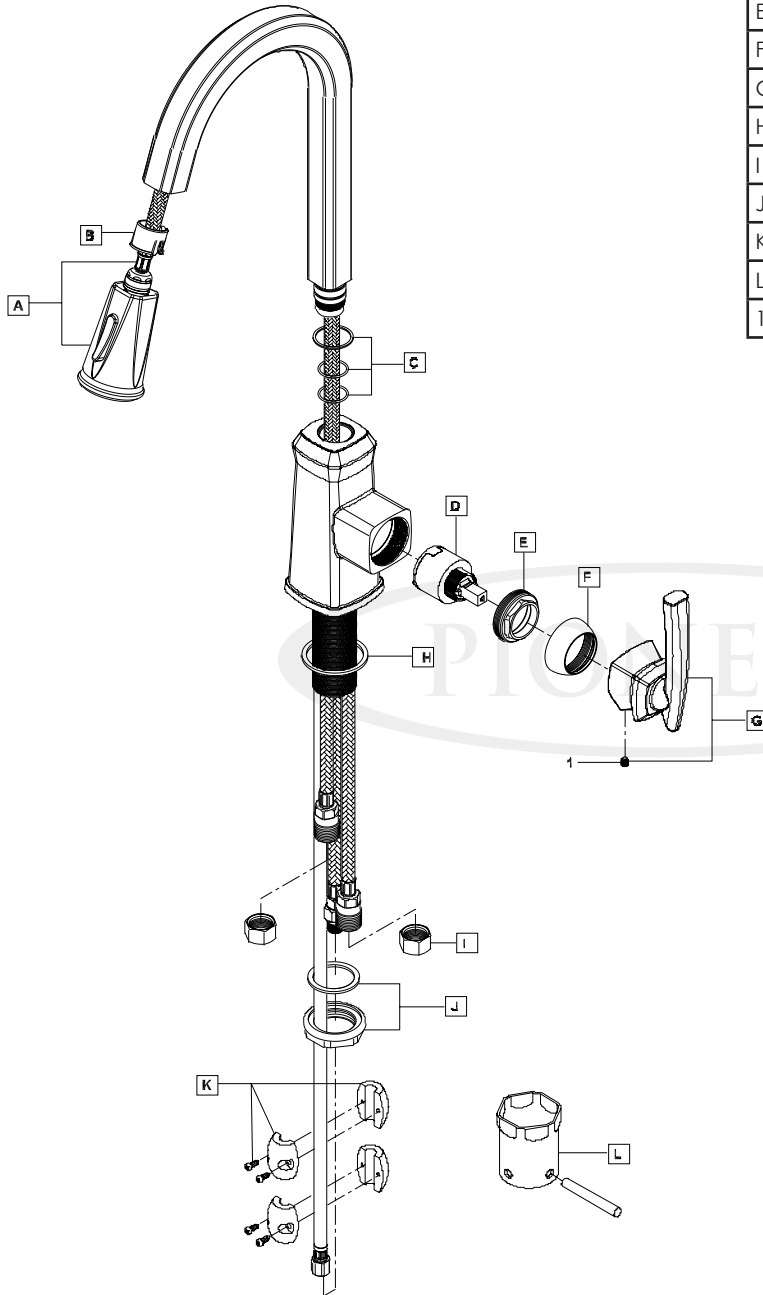
ENGINEERING EXCELLENCE

Pioneer:1-800-338-9468
 Commerce, CA 90040
 www.pioneerind.com
 Pioneer Industries, Inc. © 2013

DMSP2GB250/REV. 12 2012
 Page 1 of 2

	ITEM#	DESCRIPTION
A	X-4200161*	Pull Down Spray Head & Hose
B	X-4200162	Spray Head Support
C	X-4200163	Spout Repair Kit
D	X-3200001	Ceramic Disc Cartridge
E	X-4200035	Lock Nut
F	X-4400032*	Retainer Ring
G	X-1200023*	Lever Handle
H	X-4200164	Washer
I	X-4900004	Supply Nut
J	X-5200019	Mounting Kit
K	X-4200041	Weight
L	X-5200020	Mounting Tool
1	X-4900057	Allen Screw

* Note- Please specify finish/color code while ordering.



Product Diagram



ENGINEERING EXCELLENCE

Pioneer: 1-800-338-9468
 Commerce, CA 90040
 www.pioneerind.com
 Pioneer Industries, Inc. © 2013