



ENGINEERING EXCELLENCE

Motegi Series #4MT711

PARTS BREAKDOWN SHEET

DESCRIPTION

- Single Handle Roman Tub Set With Handheld Showerhead
- Metal Lever Handle
- Rigid Bent Nose Spout
- 9-3/8" Reach
- Ceramic Disc Cartridge with Temperature Limit Stop
- 3-Hole 4" to 6" Installation
- Includes Integral Diverter Valve
- Single Function Handheld Showerhead

FINISHES

- PC PVD Polished Chrome
- BN PVD Brushed Nickel
- SS PVD Stainless Steel
- PN PVD Polished Nickel
- PB PVD Polished Brass



#4MT711 SHOWN * ADA 

Note:-

Rough-in valve included.

Model #: _____

STANDARDS APPLICABLE

- ASME A112.18.1
- ANSI A117.1
- CUPC / IAPMO LISTED / ADA COMPLIANT

FLOW

- Showerhead Limited to 2.5 GPM

Specific Features: _____

Project Name: _____

Submitted For: _____

Model	Description	Finishes	
#4MT711	Single Handle Roman Tub Set With Handheld Showerhead	<input type="checkbox"/> PC	<input type="checkbox"/> Other__



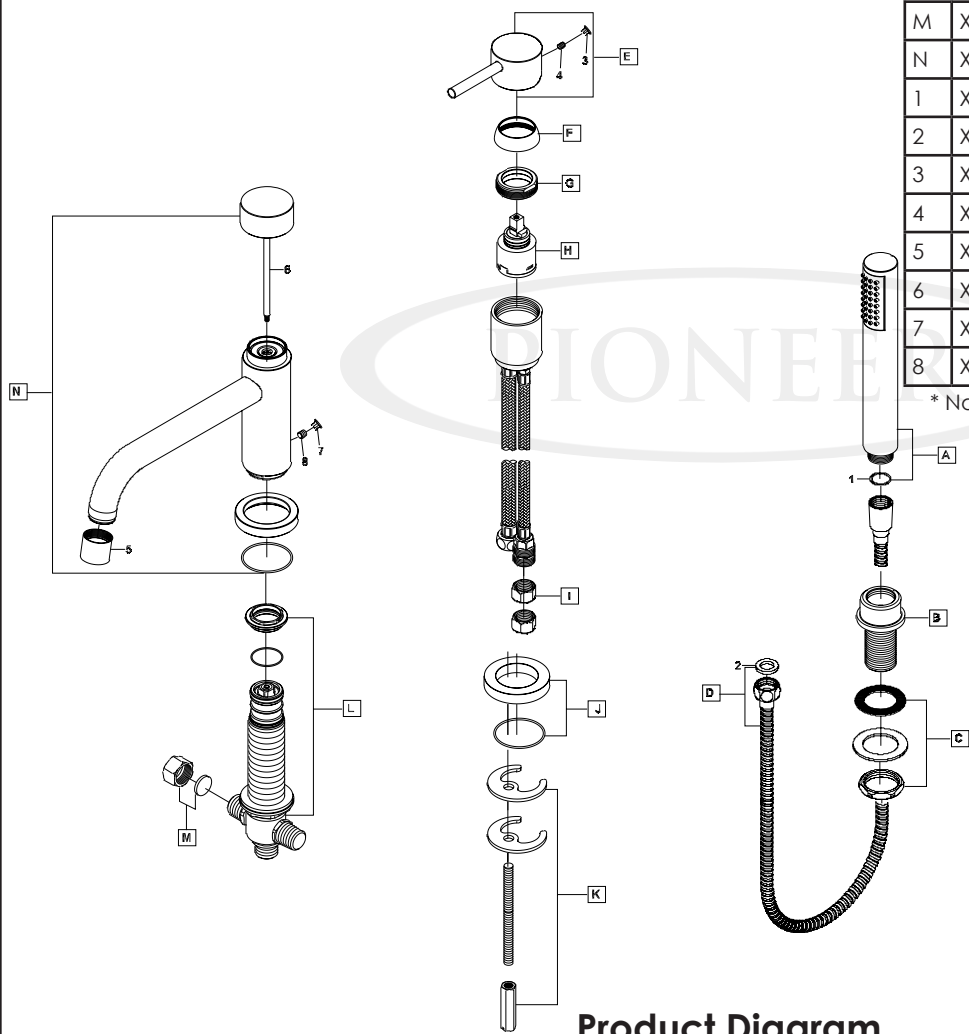
ENGINEERING EXCELLENCE

Pioneer:1-800-338-9468
 Commerce, CA 90040
 www.pioneerind.com
 Pioneer Industries, Inc. © 2013

DMPB4MT711/REV. 12 2012
 Page 1 of 2

	ITEM#	DESCRIPTION
A	X-4900049*	Showerhead
B	X-4900051*	Showerhead Support
C	X-5900003	Showerhead Mounting Kit
D	X-4600006*	60" Stainless Steel Hose
E	X-1400005*	Motegi Series Handle
F	X-4400032*	Retainer Sleeve
G	X-4200035	Retainer Nut
H	X-3200001	Ceramic Disc Cartridge
I	X-4900004	Supply Nut
J	X-4400035*	Spout & Handle Escutcheon
K	X-5900002	Mounting Kit
L	X-3400004	Diverter Assembly
M	X-4900025	Cap & Washer
N	X-2400008*	Motegi Bent Nose Spout
1	X-4900050	Handheld Showerhead O-ring
2	X-4900047	Washer
3	X-4900044*	Hole Cover
4	X-4900002	3/32" Allen Screw
5	X-4400036*	Flow Streamer
6	X-4400037*	Diverter Pull Rod
7	X-4900044*	Hole cover
8	X-4400024	3/32" Allen Screw

* Note: Please specify finish/color when ordering.



Product Diagram



ENGINEERING EXCELLENCE

Pioneer: 1-800-338-9468
 Commerce, CA 90040
 www.pioneerind.com
 Pioneer Industries, Inc. © 2013