



ENGINEERING EXCELLENCE

Installation Guide

Two Handle Lavatory Wallmount Vessel Filler:

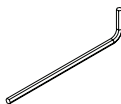
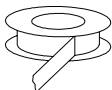
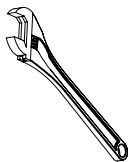
- 3BR600*
- 3BR610*
- 3BR620
- 3BR630*
- 3MT600*
- 3BR700*
- 3BR710*
- 3BR720
- 3BR730*

This product meets the following standards:

- ASME A112.18.1
- ANSI A117.1
- ANSI / NSF 61, SECTION 9
- CUPC / IAPMO LISTED / *ADA COMPLIANT
- CONTAINS NO MORE THAN 0.25% WEIGHTED AVERAGE LEAD CONTENT

Thank you for purchasing this Pioneer quality product.

Tools Required



Adjustable
Wrench

Teflon Tape

Rags

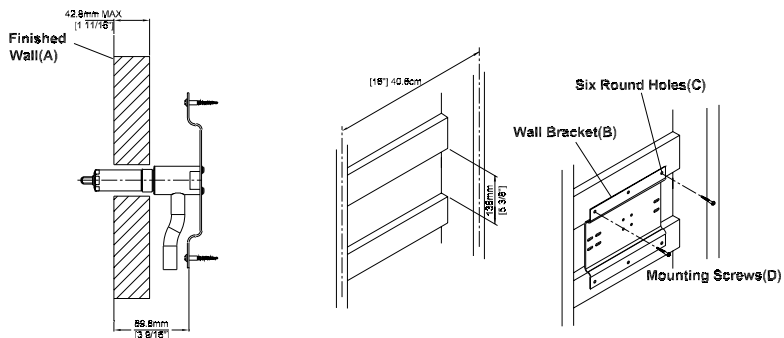
3/32" Allen
Wrench

Prior to Installation

- Observe all local plumbing and building codes before you begin installation.
- Carefully shut off both hot and cold water supplies.
- Plug the sink drain with a soft cloth to prevent intrusion of debris or the loss of any parts.
- Pioneer reserves the right to make changes in the design of faucets without notice.

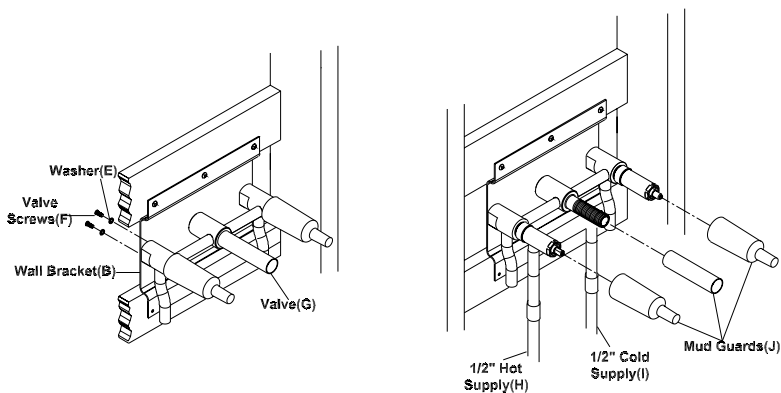
Valve Installation

- **Note:-** The wall bracket (B) requires special framing and support considerations. Please pay special attention to minimum and maximum dimension recommendations noted.
- Refer to the specification for additional dimension information.
- A suggested framing example is shown. Each installation may have different framing requirements than shown.
- Construct the framing for your installation.
- Attach the wall bracket (B) to the framing with six panhead mounting screws (D) provided with the wall bracket (B).
- Verify that the installation is correct and leveled. Also verify the wall bracket (B) is firmly secured to the framing.



Valve Installation

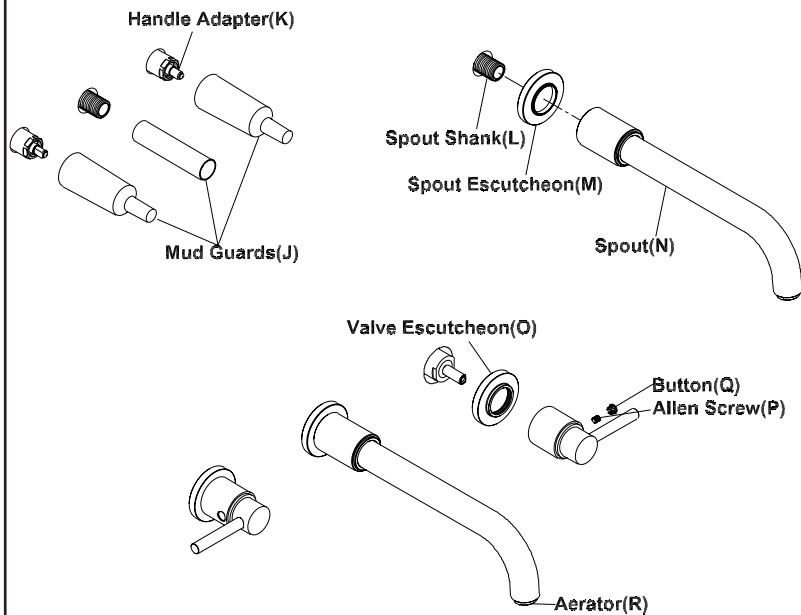
- Attach the valve body (G) to the wall bracket (B) with the screws (F) and washers (E) provided.
- Tighten the screws (F) securely.
- Remove all the components (like sleeve, ceramic cartridges) to prevent internal damage. Solder the 1/2" hot (H) and cold (I) water supply lines to the valve. After soldering replace all the components removed.
- Position a bucket in front of the spout shank. and turn on the main water supplies.
- Slowley open the valve stem and allow hot and cold water to flow from the spout shank for about a minute.
- Turn off the water. carefully inspect all the connections for leak. repair if necessary.
- Reattach mud guards (J) to the valve.



Trim Installation

- **Note:-** To make sure proper fit and appearance, do not oversize the spout and handle shank holes.
- Complete the finished wall with three 1-1/2" holes. three holes should be 4" center apart.
- Remove the guards (J) once the finished wall is complete. Install handle adapter(K) on both side of stem. Note:- To install the handle in correct direction ensure the flat side of the handle adapters face opposite side of spout shank.
- Install spout escutcheon (M). Apply plumbers putty or sealant to form watertight seal. Thread spout (N) on the spout shank (L).Install it so the spout (N) faces downward.
- Install handle and valve escutcheon (O). Tighten the allen screw (P) and snap on button (Q).
- Remove the aerator(R) from the spout by turning counter clockwise.
- Turn on water. Check of any leaks. Make sure all the connection are secure.
- Turn on both the handles.
- Flush and allow water to run at full flow for at least one minute.
- Turn off water. Replace aerator (R).

Trim Installation Drawing



For more care information or trouble shooting inquiries about your Pioneer Product, please see the contact information on the back page.



ENGINEERING EXCELLENCE

3325 S. Garfield Ave. | Commerce, CA 90040
Telephone: (800) 338-9468 | (323) 888-8873 | Fax: (323) 888-9515
Hours: M - F, 7:30am to 5:00pm PST
www.pioneerind.com