



ENGINEERING EXCELLENCE

Del Mar Series #5DM100

SPECIFICATION SHEET

DESCRIPTION

- Two Handle Bar Faucet
- Metal Lever Handles
- Gooseneck Spout Swivel 360°
- 5-3/16" Reach, 5-7/8" From Deck to Aerator
- Ceramic Disc Cartridges
- 2 or 3 Hole 4" Installation

FINISHES

- PC PVD Polished Chrome
- BN PVD Brushed Nickel
- PN PVD Polished Nickel
- ORB Oil Rubbed Bronze



#5DM100 SHOWN * ADA



STANDARDS APPLICABLE

- ASME A112.18.1
- ANSI A117.1
- ANSI / NSF 61, SECTION 9
- CUPC / IAPMO LISTED / ADA COMPLIANT
- CONTAINS NO MORE THAN 0.25% WEIGHTED AVERAGE LEAD CONTENT

FLOW

- Aerator Limited to 1.5 GPM

Model #: _____

Specific Features: _____

Project Name: _____

Submitted For: _____

Model	Description	Finishes	
#5DM100	Two Handle Bar Faucet	<input type="checkbox"/> PC	<input type="checkbox"/> Other__



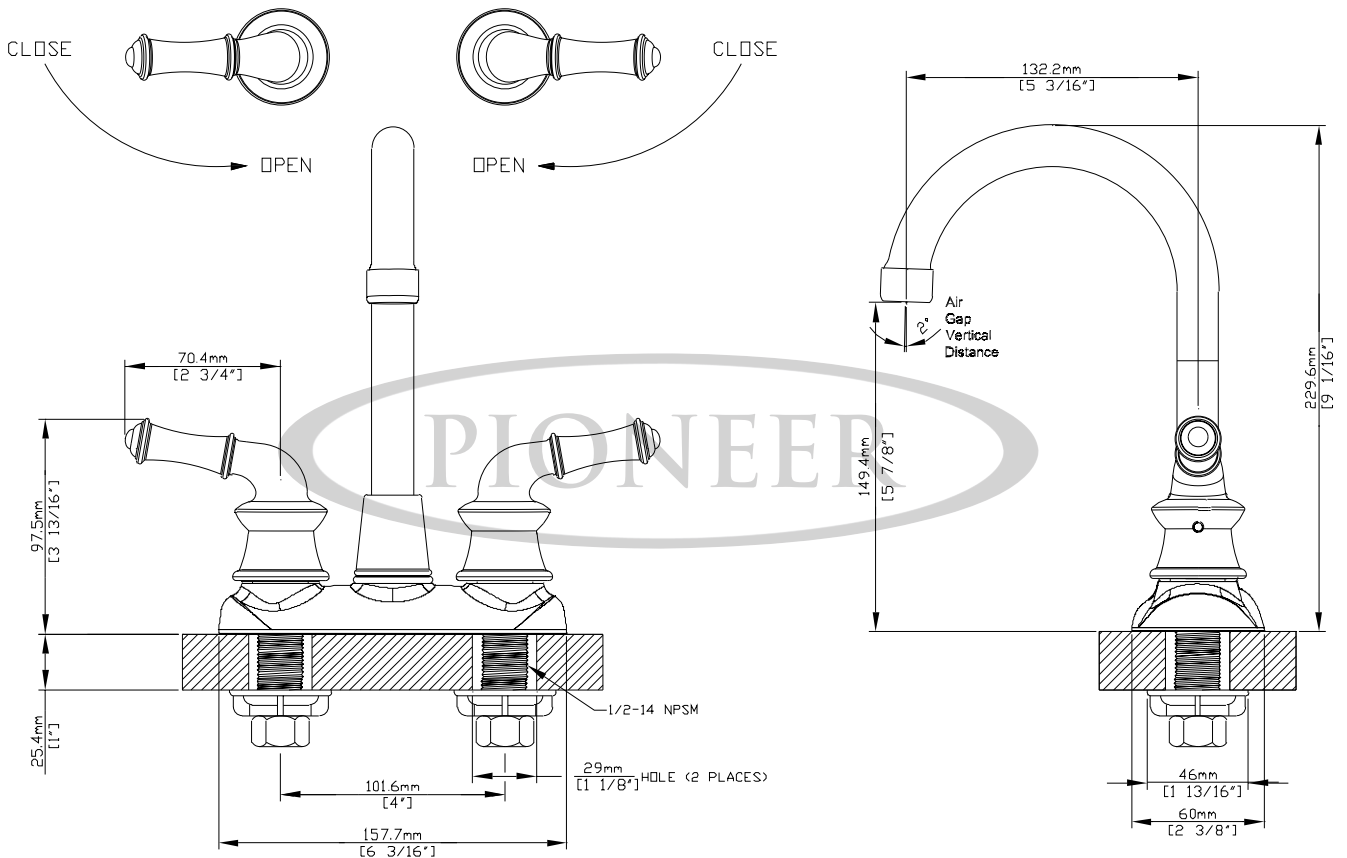
ENGINEERING EXCELLENCE

Pioneer:1-800-338-9468
 Commerce, CA 90040
 www.pioneerind.com
 Pioneer Industries, Inc. © 2013

DMSP5DM100/REV. 12 2012
 Page 1 of 2

Installation Note:

Faucet Hole Size :- 1-1/4"
 Maximum Deck Thickness:- 1"



Product Diagram



ENGINEERING EXCELLENCE

Pioneer: 1-800-338-9468
 Commerce, CA 90040
 www.pioneerind.com
 Pioneer Industries, Inc. © 2013