



# ENGINEERING EXCELLENCE

Legacy Series #5LG120

SPECIFICATION SHEET

### DESCRIPTION

- Two Handle Bar Faucet
- ADA Wrist Blade Handles
- Gooseneck Spout Swivel 360°
- 5-3/16" Reach, 5-7/8" From Deck to Aerator
- Ceramic Disc Cartridges
- 2 or 3-Hole 4" Installation

### FINISHES

- PC PVD Polished Chrome
- SS PVD Stainless Steel
- BN PVD Brushed Nickel
- PB PVD Polished Brass
- ORB Oil Rubbed Bronze



#5LG120 SHOWN \* ADA 

### STANDARDS APPLICABLE

- ASME A112.18.1
- ANSI A117.1
- ANSI / NSF 61, SECTION 9
- CUPC / IAPMO LISTED / ADA COMPLIANT
- CONTAINS NO MORE THAN 0.25% WEIGHTED AVERAGE LEAD CONTENT

### FLOW

- Aerator Limited to 1.5 GPM

Model #: \_\_\_\_\_

Specific Features: \_\_\_\_\_

Project Name: \_\_\_\_\_

Submitted For: \_\_\_\_\_

| Model   | Description           | Finishes                    |                                  |
|---------|-----------------------|-----------------------------|----------------------------------|
| #5LG120 | Two Handle Bar Faucet | <input type="checkbox"/> PC | <input type="checkbox"/> Other__ |



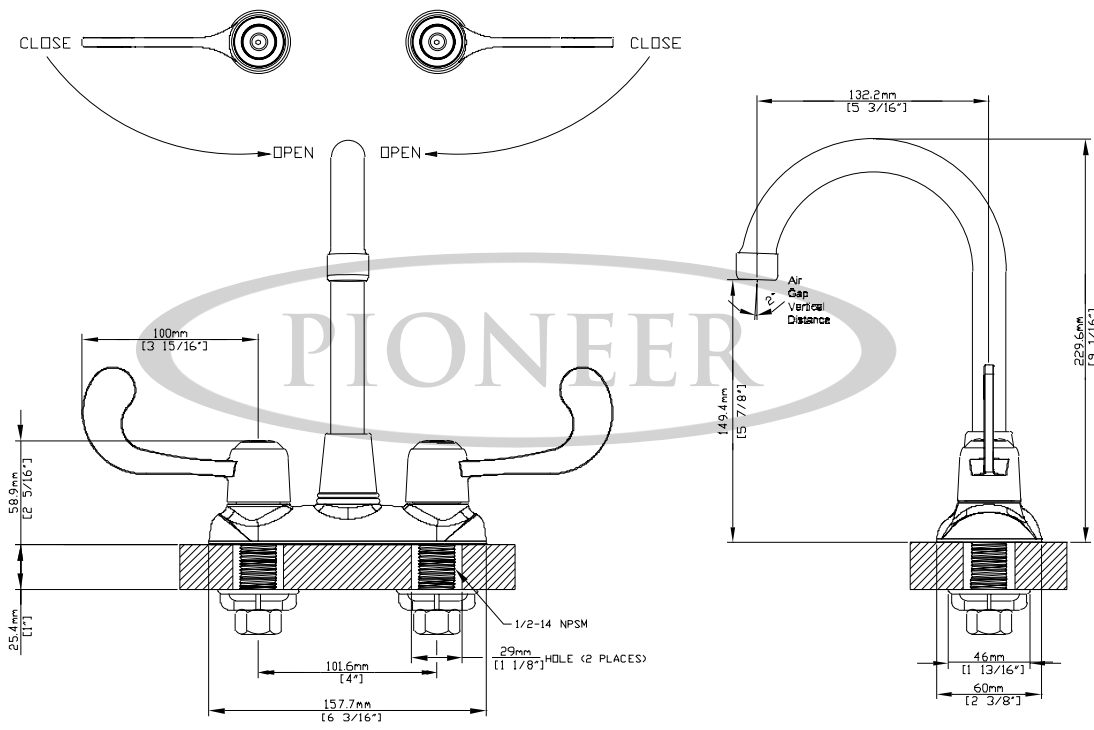
ENGINEERING EXCELLENCE

Pioneer:1-800-338-9468  
 Commerce, CA 90040  
 www.pioneerind.com  
 Pioneer Industries, Inc. © 2013

DMSP5LG120/REV. 12 2012  
 Page 1 of 2

**Installation Note:**

Faucet Hole Size :- 1-1/4"  
 Maximum Deck Thickness:- 1"



**Product Diagram**



ENGINEERING EXCELLENCE

Pioneer: 1-800-338-9468  
 Commerce, CA 90040  
 www.pioneerind.com  
 Pioneer Industries, Inc. © 2013