



ENGINEERING EXCELLENCE

Brentwood Series #4BR830

PARTS BREAKDOWN SHEET

DESCRIPTION

- Two Handle Roman Tub Set
- Beaux Lever Handles
- Rigid J Style Spout
- 10" Reach
- Ceramic Disc Cartridges
- 3-Hole 8" to 16" Installation
- Includes Spout and Valve Escutcheons

FINISHES

- PC PVD Polished Chrome
- BN PVD Brushed Nickel
- PN PVD Polished Nickel
- PB PVD Polished Brass
- ORB Oil Rubbed Bronze



#4BR830 SHOWN * ADA 

STANDARDS APPLICABLE

- ASME A112.18.1
- ANSI A117.1
- CUPC / IAPMO LISTED / ADA COMPLIANT

Note:-

Rough-in valve included.

Model #: _____

Specific Features: _____

Project Name: _____

Submitted For: _____

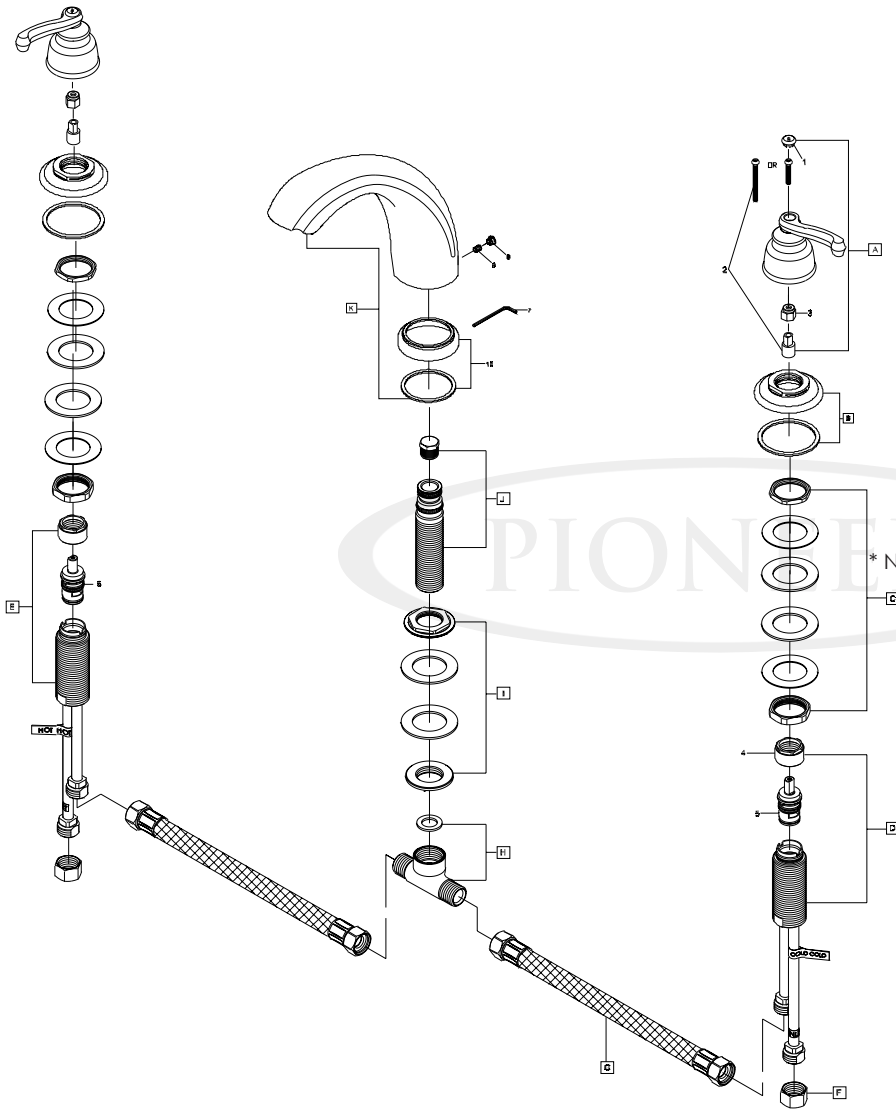
Model	Description	Finishes	
#4BR830	Two Handle Roman Tub Set	<input type="checkbox"/> PC	<input type="checkbox"/> Other__



ENGINEERING EXCELLENCE

Pioneer: 1-800-338-9468
 Commerce, CA 90040
 www.pioneerind.com
 Pioneer Industries, Inc. © 2013

DMPB4BR830/REV. 12 2012
 Page 1 of 2



	ITEM#	DESCRIPTION
A	X-1400011C,H*	Beaux Lever Handles
B	X-4400046*	Valve Escutcheon
C	X-5400003	Valve Mounting Kit
D	X-3900005C	Valve-Cold
E	X-3900005H	Valve-Hot
F	X-4900004	Supply Nut
G	X-4400063	Hose Connector
H	X-4400029	Tee Connector
I	X-5400001	Spout Mounting Kit
J	X-5400005	Shank
K	X-2400012*	'J' Style Spout
1	X-4900042C,H*	Button-Cold,Hot
2	X-4400064	Stem Extension
3	X-4400051	Handle Adapter
4	X-4900022	Bonnet Nut
5	X-3900002C	Ceramic Cartridge-Cold
6	X-3900002H	Ceramic Cartridge-Hot
7	X-4900026	1/8" Allen Wrench
8	X-4400048*	Spout Hole Cover
9	X-4400018	1/8" Allen Screw
10	X-4400053*	Spout Escutcheon

* Note- Please Specify finish\color code while ordering.

Product Diagram



ENGINEERING EXCELLENCE

Pioneer:1-800-338-9468
 Commerce, CA 90040
 www.pioneerind.com
 Pioneer Industries, Inc. © 2013