



# ENGINEERING EXCELLENCE

Motegi Series #2MT250

PARTS BREAKDOWN SHEET

### DESCRIPTION

- Single Handle Pull-Down Kitchen Faucet
- Metal Lever Handle
- Pull-Down Head with 2 Spray Patterns Swivel 360°
- 8-9/16" Reach, 10-1/16" from Deck to Aerator
- Ceramic Disc Cartridge with Temperature Limit Stop
- 1 or 3 Hole 8" Installation
- Ball Joint Swivel Sprayhead

### FINISHES

- PC PVD Polished Chrome
- BN PVD Brushed Nickel
- SS PVD Stainless Steel
- PN PVD Polished Nickel
- PB PVD Polished Brass



#2MT250 SHOWN \* ADA 

### FLOW

- Pull-Down Sprayhead Limited to 2.0 GPM

### STANDARDS APPLICABLE

- ASME A112.18.1
- ANSI A117.1
- ANSI / NSF 61, SECTION 9
- CUPC / IAPMO LISTED / ADA COMPLIANT
- CONTAINS NO MORE THAN 0.25% WEIGHTED AVERAGE LEAD CONTENT

Model #: \_\_\_\_\_

Specific Features: \_\_\_\_\_

Project Name: \_\_\_\_\_

Submitted For: \_\_\_\_\_

Model	Description	Finishes	
#2MT250	Single Handle Pull-Down Kitchen Faucet	<input type="checkbox"/> PC	<input type="checkbox"/> Other__



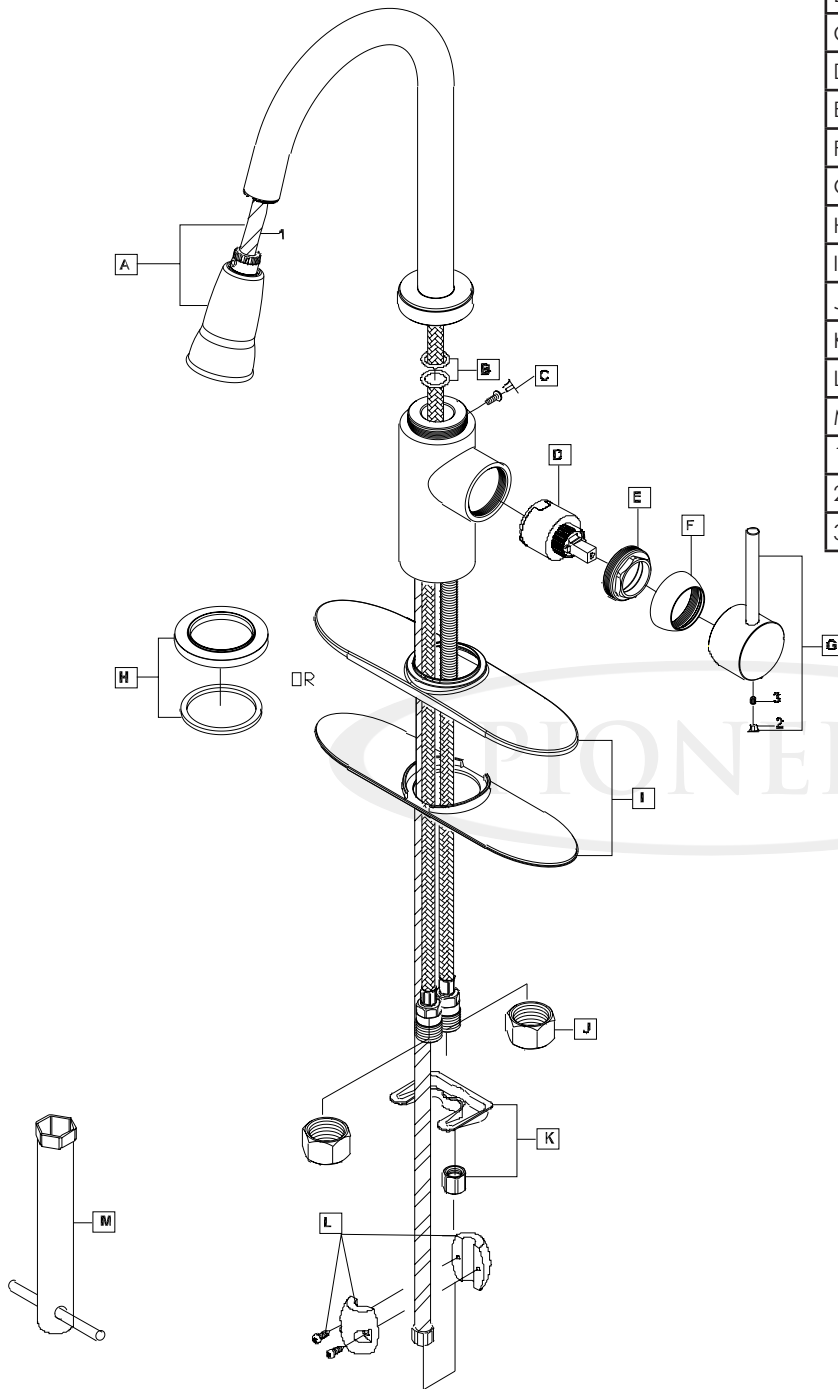
ENGINEERING EXCELLENCE

Pioneer:1-800-338-9468  
 Commerce, CA 90040  
 www.pioneerind.com  
 Pioneer Industries, Inc. © 2013

DMPB2MT250/REV. 12 2012  
 Page 1 of 2

	ITEM#	DESCRIPTION
A	X-4200072*	Pull-Down Spray Head & Spray Hose
B	X-4900071	Spout O-ring
C	X-4900060*	Hole Cover
D	X-3200001	Ceramic Cartridge
E	X-4200035	Retainer Nut
F	X-4400032*	Retainer Sleeve
G	X-1200012*	Motegi Series Handle
H	X-4200074*	Escutcheon
I	X-4200075*	Deck Plate
J	X-4900004	Supply Nut
K	X-5200011	Mounting Kit
L	X-4200041	Weight
M	X-5200008	Tool
1	X-4200073	Spray Hose
2	X-4900044*	Hole Cover
3	X-4400024	Allen Screw

\* Note: Please specify finish/color when ordering.



Product Diagram



ENGINEERING EXCELLENCE

Pioneer: 1-800-338-9468  
 Commerce, CA 90040  
 www.pioneerind.com  
 Pioneer Industries, Inc. © 2013