



# ENGINEERING EXCELLENCE

Del Mar Series #6DM101T

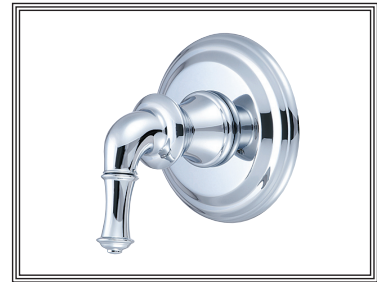
PARTS BREAKDOWN SHEET

### DESCRIPTION

- Single Handle Diverter Trim Set
- Metal Lever Handle
- Diverter Valve Face Plate
- Diverter Valve Sleeve

### FINISHES

- PC PVD Polished Chrome
- BN PVD Brushed Nickel
- PN PVD Polished Nickel
- ORB Oil Rubbed Bronze
- TB PVD Tuscany Bronze



#6DM101T SHOWN \* ADA 

### STANDARDS APPLICABLE

- ASME A112.18.1
- ANSI A117.1
- CUPC / IAPMO LISTED / ADA COMPLIANT

Model #: \_\_\_\_\_

Specific Features: \_\_\_\_\_

Project Name: \_\_\_\_\_

Submitted For: \_\_\_\_\_

Model	Description	Finishes
#6DM101T	Single Handle Diverter Trim Set	<input type="checkbox"/> PC <input type="checkbox"/> Other___
Required Valve		
4100B	Single Handle Diverter Valve Set	NA



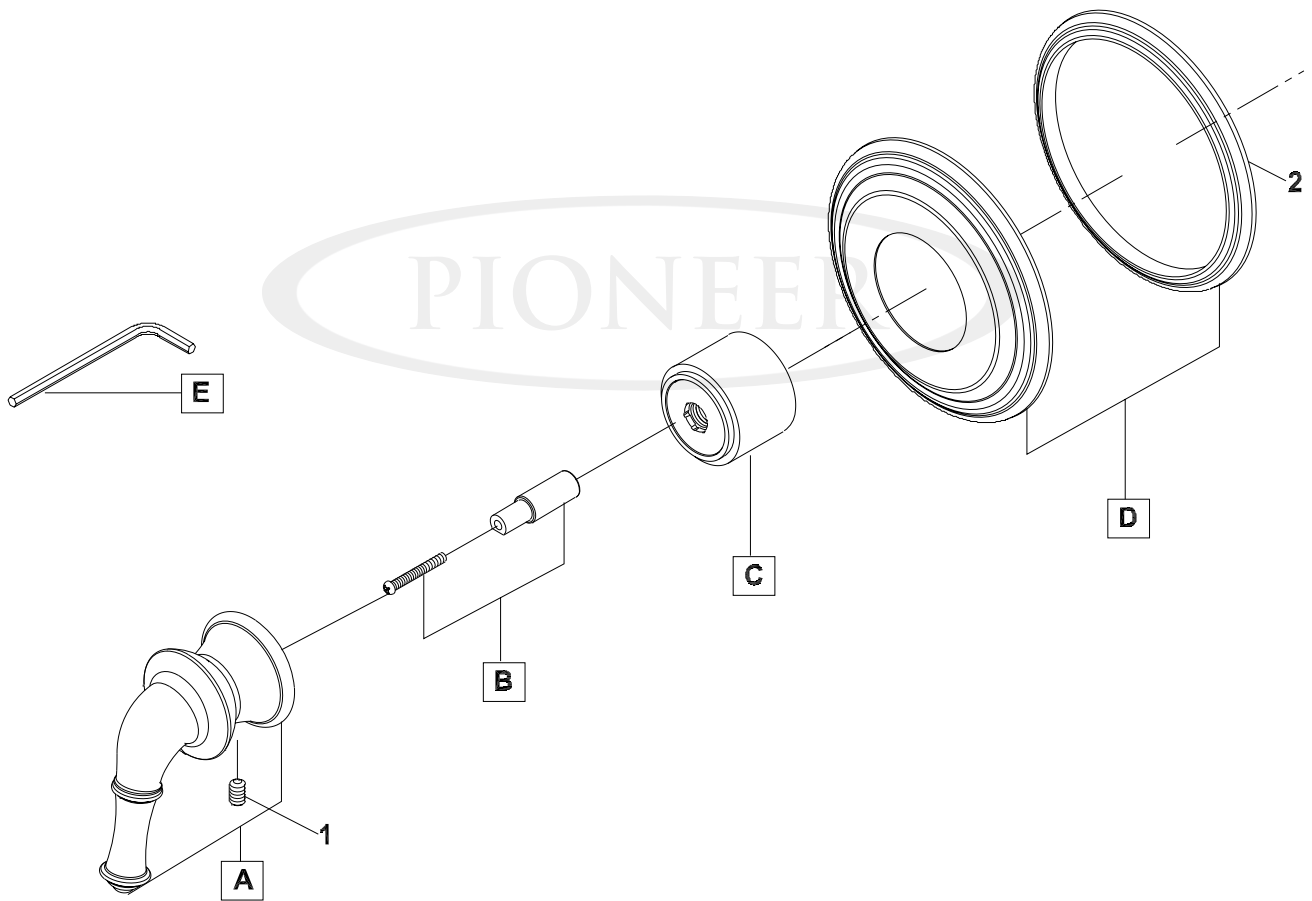
ENGINEERING EXCELLENCE

Pioneer: 1-800-338-9468  
 Commerce, CA 90040  
 www.pioneerind.com  
 Pioneer Industries, Inc. © 2013

DMPB6DM101T/REV. 12 2012  
 Page 1 of 2

	ITEM#	DESCRIPTION
A	X-1600011*	Del Mar Handle
B	X-4600020	Stem Adapter
C	X-4600035*	Sleeve
D	X-6600001*	Face Plate
E	X-4900024	3/32" Allen Wrench
1	X-4900002	3/32" Allen Screw
2	X-4600025	Rubber Gasket

\* Note- Please specify finish/color code while ordering.



Product Diagram



ENGINEERING EXCELLENCE

Pioneer: 1-800-338-9468  
 Commerce, CA 90040  
 www.pioneerind.com  
 Pioneer Industries, Inc. © 2013