

► **Code Number**

3980017

► **Description**

Exposed Water Closet Flushometer, for floor mounted or wall hung top spud bowls.

► **Flush Cycle**

1.6 gpf/6.0Lpf

► **Specifications**

Quiet, Exposed, Diaphragm Type, Chrome Plated Closet Flushometer with the following features:

- ADA Compliant Metal Oscillating Non-Hold-Open Handle
- 1" I.P.S. Screwdriver Bak-Chek® Angle Stop
- Control Stop Plug
- Sweat Solder Adapter with Cover Tube
- Cast Wall Flange with Set Screw
- Vacuum Breaker Flush Connection
- Non-Hold-Open Handle and No External Volume Adjustment to Ensure Water Conservation
- Low Consumption flush accuracy controlled by Para-Flo™ Technology
- High Copper, Low Zinc Brass Castings for Dezincification Resistance

Valve Body, Cover, Tailpiece and Control Stop shall be in conformance with ASTM Alloy Classification for Red Brass. Valve shall be in compliance to the applicable sections of ASSE 1037 and ANSI/ASME 112.19.2.

► **Accessories (Sold Separately)**

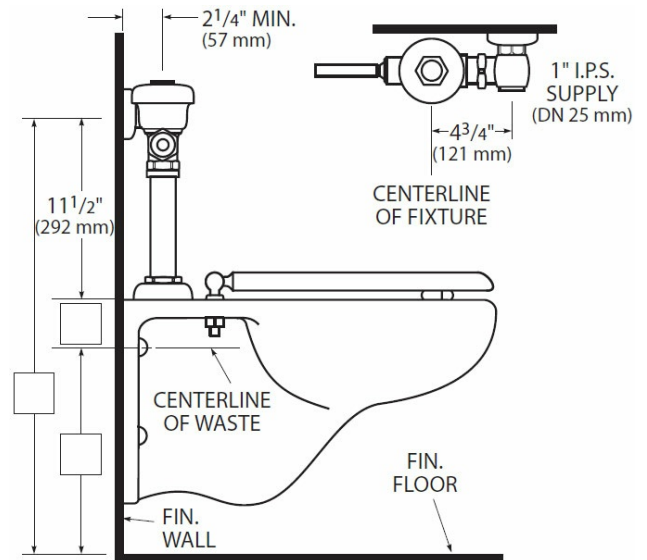
See Accessories Section of the Sloan catalog for available accessories

► **Fixtures**

Consult factory for matching Sloan brand fixture options.

► **Variations**

TP - Trap Primer



► **Compliance & Certifications**



This space for Architect/Engineer Approval