



Grab Bar Product Information & Installation Instructions

All close-clearance, wall-mounted straight bars have been designed and manufactured to support loads in excess of all applicable federal load specifications when properly installed. The actual "in use" load bearing capacity of any grab bar, however, will be limited by the strength of its mounting surface and installation hardware.

It is recommended that grab bars be installed using 2" minimum thickness "in wall" solid wood backing material with #10 x 2" stainless steel, Phillips-head, sheet metal screws, or using a wall embedded, minimum 12 ga. (2.8 mm) steel anchor plate with #10-24 stainless steel machine screws. When mounting on toilet partitions, the use of 3" (76 mm) dia., 16-ga (1.6 mm), stainless steel, "through-wall" anchor disks are recommended.

The recommended center-line height for installation of straight bars is 33"-36" above the finished floor.

Under no circumstances should any grab bar be mounted to drywall, sheetrock, plaster, fiberglass, acrylic, or other similar "hollow" wall surfaces without appropriate wood or steel backing material.



SEACHROME

Description:

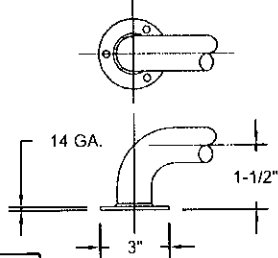
Seachrome Part #

STRAIGHT GRAB BAR

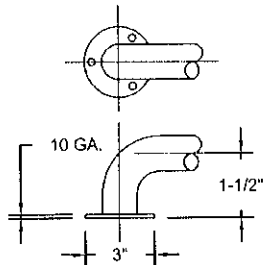
Customer Part #

Phone: (800) 955-2476
Fax: (800) 444-3380

EXPOSED SCREW FLANGE STYLES

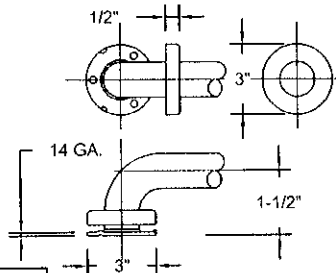


ER

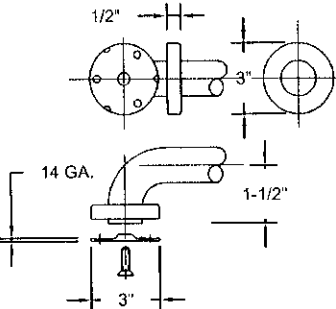


EW

CONCEALED SCREW FLANGE STYLES



CR



CB

All grab bars must only be installed using sufficient in-wall backing material.

TUBING MATERIAL:

- "S" = Type 304 (18-8) Stainless Steel "B" = 260 Alloy Solid Brass
- "D" = PVD finish, type 304 (18-8) Stainless Steel (Specify Color _____)
- "P" = Powdercoated, type 304 (18-8) Stainless Steel (Specify Color _____)

TUBING SIZE:

- "Q" = 1-1/4" (32mm) O.D. x .049" (18ga.) (1.2mm) Wall Thickness.
- "H" = 1-1/2" (38mm) O.D. x .049" (18ga.) (1.2mm) Wall Thickness

FLANGE STYLE:

EXPOSED FLANGE

- "ER" 14 ga. (2.0mm) x 3" (76mm) dia., on type 304 (18-8) stainless steel Heliarc Welded to the bar to form an intergral structural unit.

EXPOSED FLANGE

- "EW" 10 ga. (3.6mm) x 3" (76mm) dia., on type 304 (18-8) stainless steel, Heliarc Welded to the bar to form an intergral structural unit.

CONCEALED FLANGE

- "CR" 14 ga. (2.0mm) x 3" (76mm) dia., on type 304 (18-8) stainless steel, Heliarc Welded to the bar to form an intergral structural unit.

CONCEALED FLANGE

- "CB" 14 ga. (2.0mm) x 3" (76mm) dia., type 304 (18-8) stainless steel, Bolted to a threaded insert to form a structural unit.

WALL CLEARANCE:

On straight bars, the standard wall clearance between finished wall surface and inner bar edge is 1-1/2" (38mm). Other available clearances upon request.

SPECIAL STAINLESS FINISHES:

- "PS" Polished Stainless Steel "PN" Peened Stainless Steel

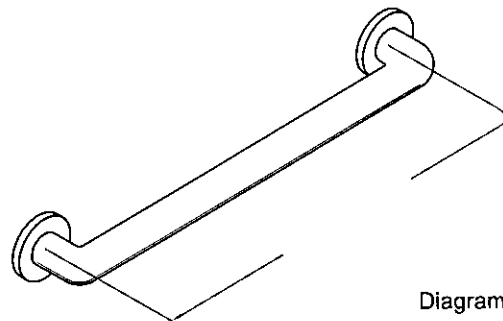


Diagram: (enter dimensions)

MADE IN THE USA

All bars meet Federal specifications WW-P 541/8b, Amendment 1, 16 April, 1990 ANSI 117.1 all FHA, VA & HUD specifications and

COMPLY WITH ALL ADA REQUIREMENTS

(except "CB" flanges)



To order please specify:

	Tubing Material	Dimension	Tubing Size	Flange Style
EG:	GSS	240	H	CR

Revised 9/02