



**QULS-3322 Large/Small Bowl**

**GRANITE UNDERMOUNT KITCHEN SINKS**

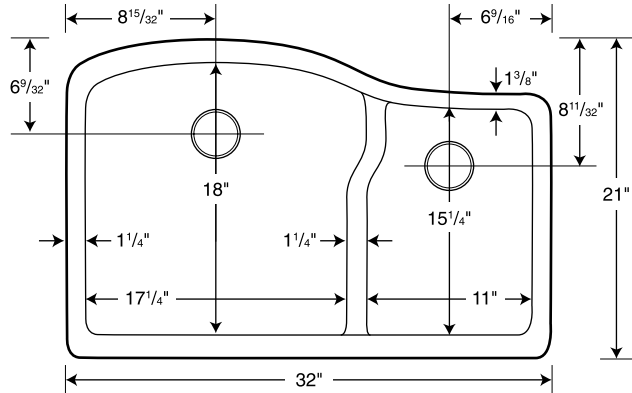
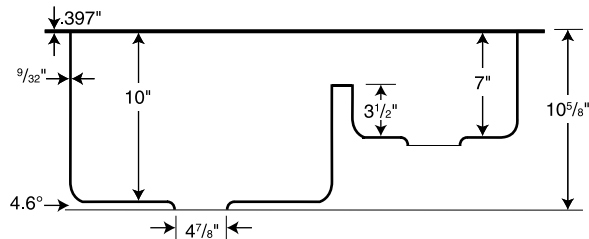
**WARRANTY**  
 Limited Lifetime – Residential  
 Limited 10-year – Commercial

**Manufactured from Quartz natural stone**  
 (see page 2 for detailed information)

*Recommended for high use traffic areas and commercial surfaces*

**FEATURES**

- Made with 80% quartz stone, only a diamond is harder
- Virtually indestructible, will not damage from kitchen use
- Standard sink size
- Ideal for remodeling or new construction
- Mounts under any countertop material including granite/quartz, solid surface and tile



**SPECIFICATIONS**

**QULS-3322 Large/Small Bowl**

Model	Part	Dimensions	Ship Wt. Lb.	Ship UPS	Carton Dims. In.	Cu. Ft.
QULS-3322	QU03322LS	32" W x 21" D (813 mm x 533 mm)	52	UPS	36 x 26 x 15	8.12

**COLORS**

(See inside back cover for color sample.)

- Bianca (075)
- Granito (076)
- Nero (077)
- Espresso (170) – Available in 2010

**STANDARDS AND RATINGS**

American National Standard Institute—ANSI Z124.6  
 International Association of Plumbing and Mechanical Officials (IAPMO) – listed cUPC listed – Certified to CSA Standard B45 by IAPMO  
 Heat resistance to 392°F, 200°C

**MAINTENANCE AND CLEANING INFORMATION**

Clean your granite sink by using warm water and a soft cloth, sponge or Mr. Clean Magic Eraser. Non-abrasive liquid cleaners and detergents can also be used. Hard water, calcium and lime deposits can be removed with white vinegar on a paper towel and rinsing after 20 minutes. To restore luster and extend time between cleanings, Weiman's Granite Polish is recommended. Staining liquids such as dyes and vegetable juices should be rinsed off as soon as possible. **Do not** use abrasive cleaners, metal scouring pads, bleach or alkali cleaners such as ammonia.

**SUPPORT DOCUMENTS**

Installation instructions available on line at [www.swanstone.com](http://www.swanstone.com)

Undermount clips sold separately. Faucet options are limited to available hole placement. Please contact your dealer for more information.