

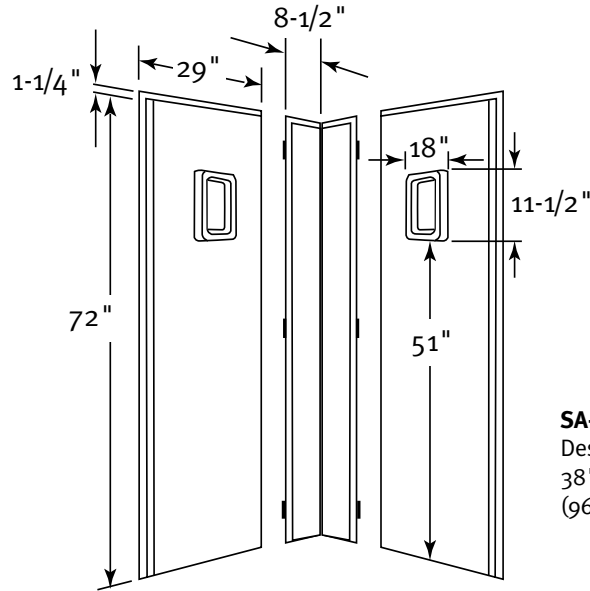
WARRANTY

 Limited Lifetime – Residential
 Limited 5-year – Commercial

Manufactured from Veritek®
 (see page 2 for detailed information)

FEATURES

- Nails directly to studs for fast installation
- Sturdy interlocking system for one-piece appearance
- Panels easily fit through existing doorways and can be installed by one person
- Made of Veritek composite material with no surface coating to chip or crack
- The SA-38 NEO is a 3-piece compression molded unit with a natural gloss surface


SA-38 NEO

 Designed to fit wall areas
 38" deep x 38" wide* x 72" high
 (965 mm x 965 mm x 1829 mm)

SPECIFICATIONS
SA-38 NEO Veritek® Angle Shower Alcove Wall

Model	Part	Wall Area Designed To Fit	Ship Wt. Lb.	Ship UPS	Carton Dims. In.	Cu. Ft.
SA-38 NEO	NE00000SA	38" D x 38" W* x 72" H (965 mm x 965 mm x 1829 mm)	84	-	76 x 36 x 13	20.58

Fits NEO shower floor size 38" D x 38" W (965 mm x 965 mm)

*1-1/2" additional area required on outer edges of wall panels to accommodate nail-up flange.

Kit Includes: One right side panel, one left side panel, one corner panel, wall mounting clips, and complete installation instructions.

Packaging: Each kit is packed in a flat, rectangular carton.

STANDARDS AND RATINGS

Class B fire rating
 American Society for Testing and Materials
 National Electrical Manufacturers Association

SUPPORT DOCUMENTS

Installation instructions available on line at www.swanstone.com

 **MADE IN USA.**
COLORS

(See inside back cover for color sample.)

- White (010)
- Bone (037)
- Bisque (018)
- Bermuda Sand (040)
- Gray Granite (042)
- Tahiti Desert (050)

MAINTENANCE AND CLEANING INFORMATION

Wash regularly with non-abrasive, liquid cleaners, a sponge, soft cloth or Mr. Clean Magic Eraser. For hard water stains or mineral build-up, scale removers such as Lime Away, Rust-out or Whink can be used. To protect the finish, fiberglass wax or automotive paste wax can be applied. **Do not** use abrasive cleaners or pads.

Do not use "leave on" cleaning products such as the Automatic Shower Cleaner. Prolonged contact with harsh chemicals could have an adverse reactive over time and discolor your surfaces. **Do not** use cleaning agents that caution use on acrylic, polyester or plastics.