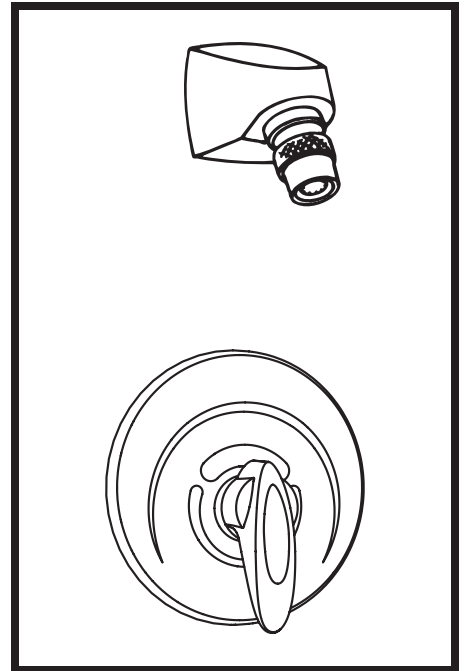
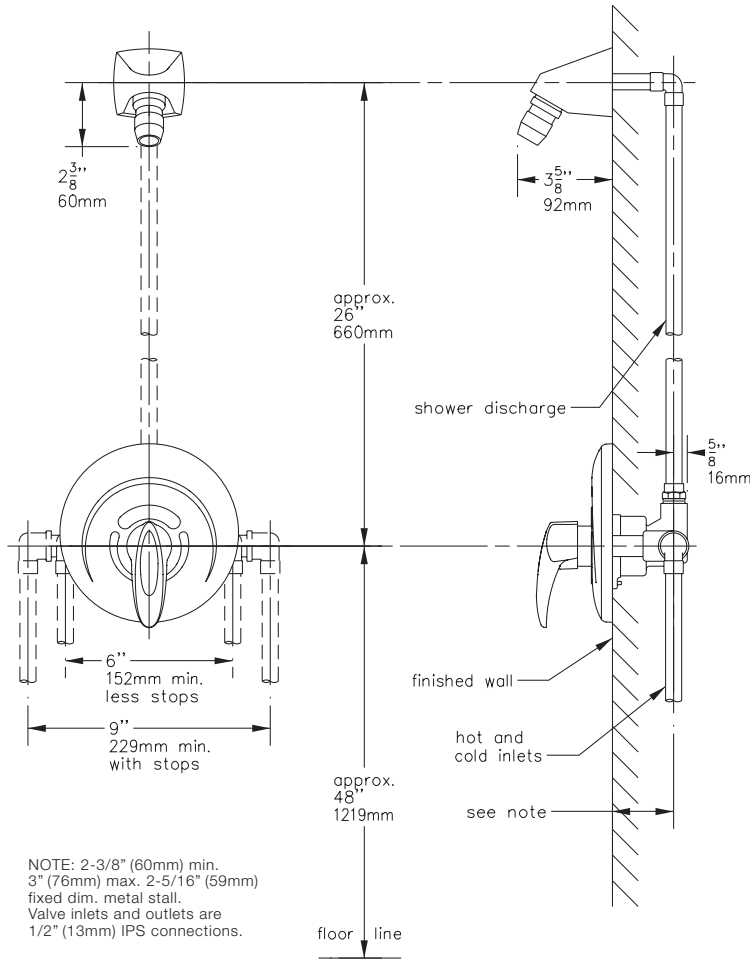


# 1-100-295 Safetymix® Shower System

Safetymix Pressure-Balancing mixing valve with lever handle and adjustable stop screw to limit handle turn. Fre-Flo shower head with adjustable spray. Nozzle-type design for maximum protection against hard water mineral build-up. All mounting fasteners for head are vandal resistant recessed hex socket type.

## Modifications:

- Suffix X:** Integral service stops—allows water shut-off at valve for service
- Suffix X-3/4:** 3/4" valve to increase flow approximately 20%
- Suffix X-REV:** Reverse coring, hot on right, cold on left, for back to back installations with integral stops only
- Suffix BB:** Back plate and thru bolts for Fre-Flo, Senior, and Universal shower heads to accommodate extra thick wall up to 6" (Specify dimension for thicker wall)
- Suffix 15:** Space saving 15° spray angle showerhead



**SYMMONS PRODUCTS MEET  
ANSI A112.18.1M, EPA '92  
AND ALL KNOWN FLOW RATE  
REQUIREMENTS.  
Shower Heads and Hand Showers  
2.5 GPM (9.5 L/min)**

## Job/Location

.....  
.....

## Engineer

.....  
.....

## Contractor

.....  
.....

This drawing to be used for rough-in installation only. All floor to center dimensions optional. Concealed piping and fittings not furnished by manufacturer. For ADA compliance (Americans with Disabilities Act) consult ADAAG or your state regulations for proper product choice and mounting locations. For complete installation, adjustment and service information see installation instructions.

Symmons Industries, Inc. ■ 31 Brooks Drive ■ Braintree, MA 02184  
(800) 796-6667, (781) 848-2250 ■ Fax (800) 961-9621, (781) 843-3849  
Website: [www.symmons.com](http://www.symmons.com) ■ Email: [customerservice@symmons.com](mailto:customerservice@symmons.com)

