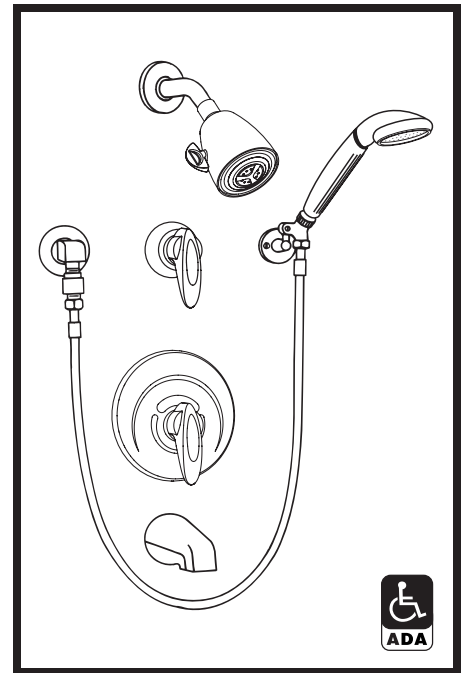


# 1-217-FS Safetymix<sup>®</sup> Tub and Shower System with Hand Spray

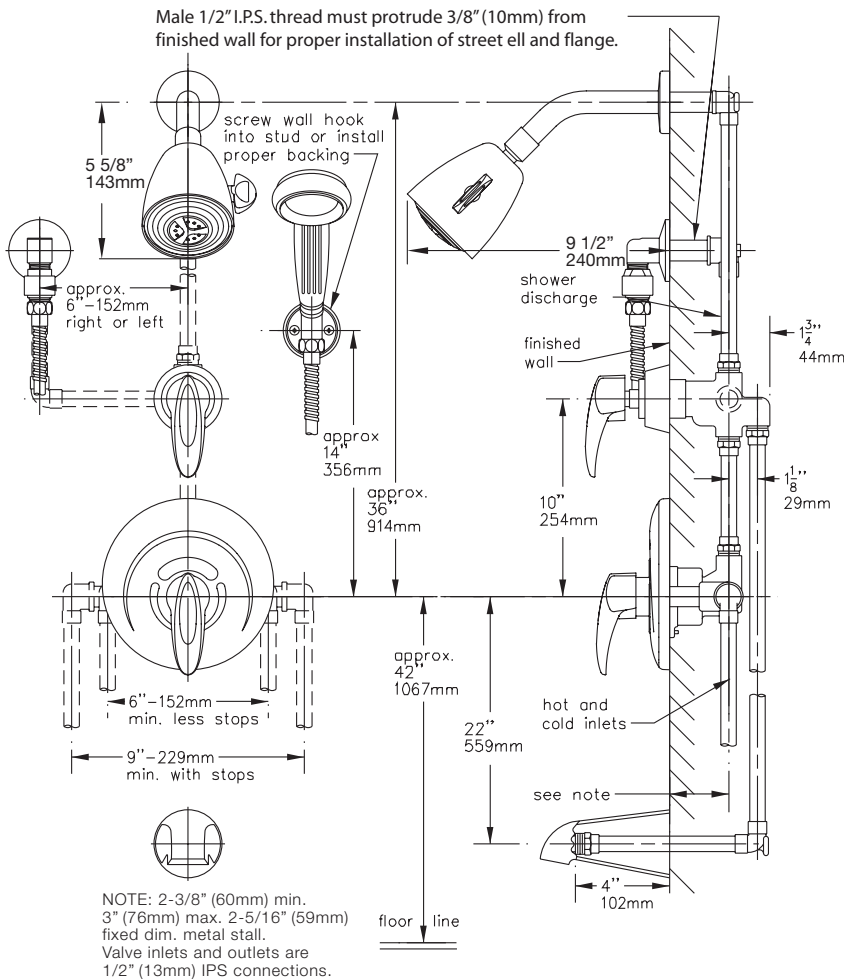
Safetymix Pressure-Balancing mixing valve with lever handle and adjustable stop screw to limit handle turn. Super shower head with arm and flange. Lever diverter with integral volume control. Tub spout. Wall/hand shower with flexible 5' metal hose, in-line vacuum breaker, wall connection and flange. Wall hook for hand shower mounting.

## Modifications:

- Suffix X:** Integral service stops—allows water shut-off at valve for service
- Suffix X-3/4:** 3/4" valve to increase flow approximately 20%
- Suffix X-REV:** Reverse coring, hot on right, cold on left, for back to back installations with integral stops only
- Suffix QD:** Quick-disconnect for hand spray units



**SYMMONS PRODUCTS MEET  
ANSI A112.18.1M, EPA '92  
AND ALL KNOWN FLOW RATE  
REQUIREMENTS.  
Shower Heads and Hand Showers  
2.5 GPM (9.5 L/min)**



## Job/Location

## Engineer

## Contractor

This drawing to be used for rough-in installation only. All floor to center dimensions optional. Concealed piping and fittings not furnished by manufacturer. For ADA compliance (Americans with Disabilities Act) consult ADAAG or your state regulations for proper product choice and mounting locations. For complete installation, adjustment and service information see installation instructions.

Symmons Industries, Inc. ■ 31 Brooks Drive ■ Braintree, MA 02184  
(800) 796-6667, (781) 848-2250 ■ Fax (800) 961-9621, (781) 843-3849  
Website: [www.symmons.com](http://www.symmons.com) ■ Email: [customerservice@symmons.com](mailto:customerservice@symmons.com)