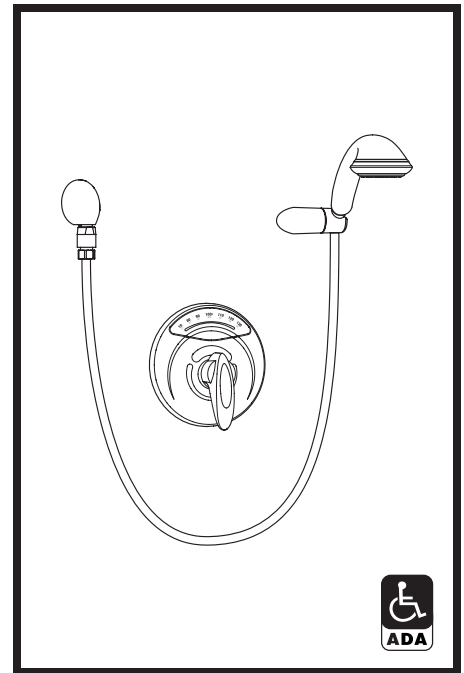


1-250VT-H401-V Visu-Temp® Shower System with Hand Spray

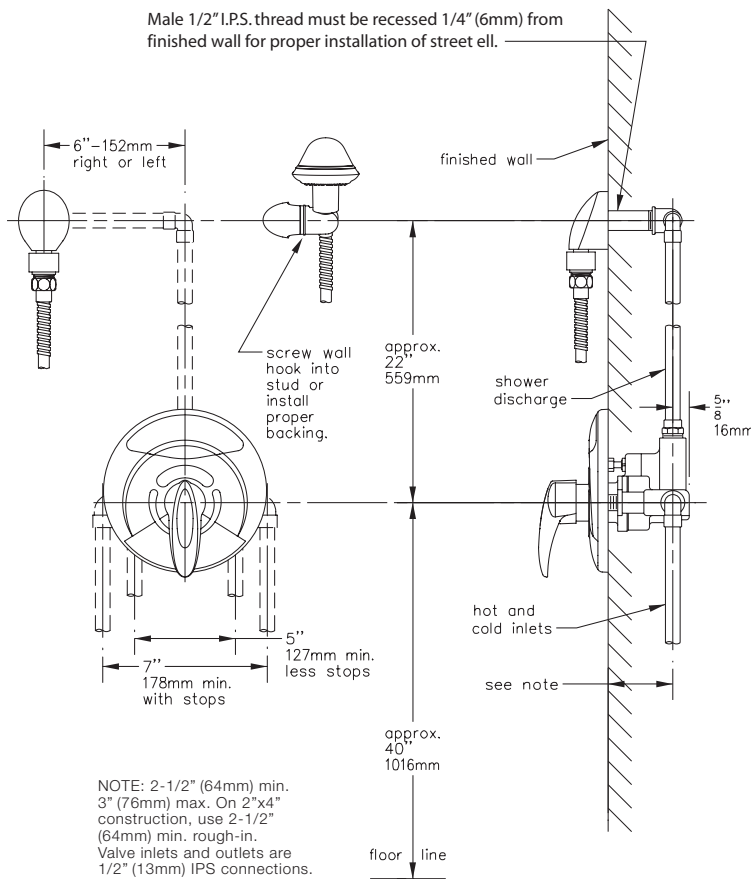
Visu-Temp Pressure-Balancing mixing valve with Clear-View™ thermometer and adjustable stop screw to limit handle turn. Euro-Flo single mode wall/hand shower with flexible 5' metal hose, in-line vacuum breaker, wall connection and flange. Cradle for hand shower mounting. Polished chrome finish.

Modifications:

- Suffix BRS:** Radiance® polished brass finish
- Suffix PCB:** Polished chrome and Radiance® polished brass finish
- Suffix STN:** Radiance® satin finish
- Suffix X:** Integral service stops—allows water shut-off at valve for service
- Suffix X-3/4** 3/4" valve to increase flow approximately 20%



**SYMMONS PRODUCTS MEET
ANSI A112.18.1M, EPA '92
AND ALL KNOWN FLOW RATE
REQUIREMENTS.
Shower Heads and Hand Showers
2.5 GPM (9.5 L/min)**



Job/Location

.....

.....

Engineer


.....

.....

Contractor

.....

.....

 This drawing to be used for rough-in installation only. All floor to center dimensions optional. Concealed piping and fittings not furnished by manufacturer. Dimensions are for ADA compliance (Americans with Disabilities Act) consult ADAAG or your state regulations for proper product choice and mounting locations. For complete installation, adjustment and service information see installation instructions.

Symmons Industries, Inc. ■ 31 Brooks Drive ■ Braintree, MA 02184
(800) 796-6667, (781) 848-2250 ■ Fax (800) 961-9621, (781) 843-3849
Website: www.symmons.com ■ Email: customerservice@symmons.com

©2003, 2008 Symmons Industries, Inc. Printed in U.S.A. ■ 050108


SYMMONS®
the smart choice™