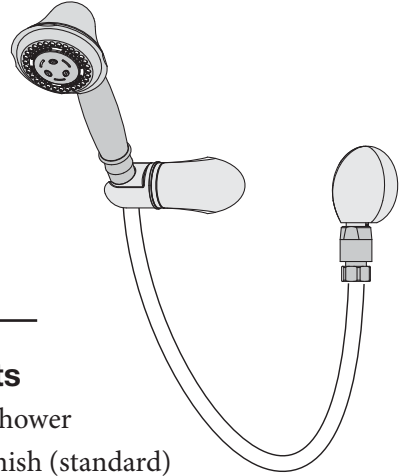


Location:



# Hand Shower 442HS

## Specification Submittal



### Model Numbers

- 442HS Hand Shower with hand shower wand #442W

### Options / Modifications

Append appropriate -suffix to model number.

- 2.0 2.0 (7.6 L/min) Flow rate restrictor
- 1.5 1.5 (5.7 L/min) Flow rate restrictor

### Finish Options / Modifications

Append appropriate -suffix to model number.

- STN Satin nickel finish
- Polished chrome finish (standard finish)

### Feature Highlights

- Three mode hand shower
- Polished chrome finish (standard)

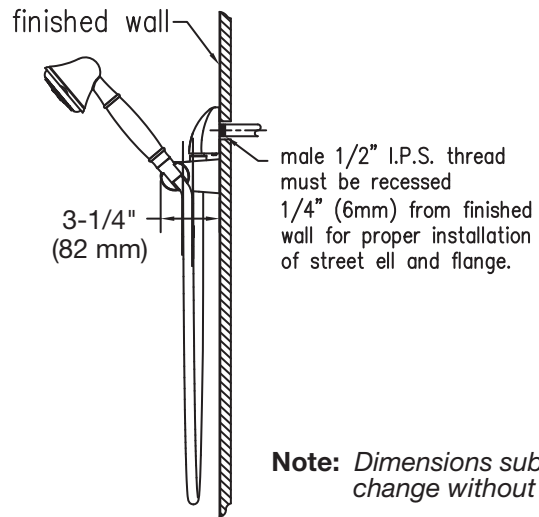
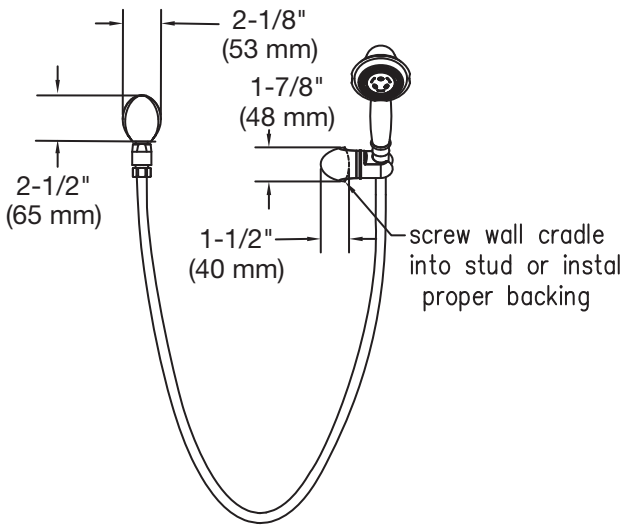
### Standards / Certifications

ASME A112.18.1-2005/CSA B125.1-05

### Warranty

- Limited Lifetime - to the original end purchaser in consumer installations.
- 5 years - for commercial installations

## Dimensions Hand Shower, 442HS



**Note:** Dimensions subject to change without notice.

Symmons Industries, Inc. ■ 31 Brooks Drive ■ Braintree, MA 02184  
(800) 796-6667, (781) 848-2250 ■ Fax (800) 961-9621, (781) 664-1300  
Website: [www.symmons.com](http://www.symmons.com) ■ Email: [customerservice@symmons.com](mailto:customerservice@symmons.com)

©2009 Symmons Industries, Inc. Printed in U.S.A. ■ 060109

