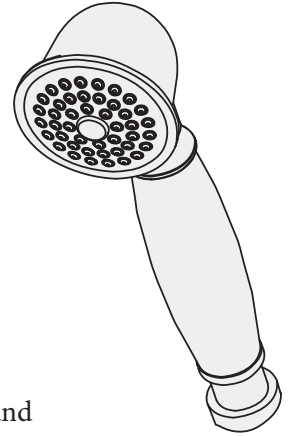


Location:



Hand Shower Wand, 462W

Specification Submittal



Model Numbers

- 462W Hand shower wand

Options / Modifications

Append appropriate -suffix to model number.

- 1.5 1.5 gpm (5.7 L/min) flow restrictor
- 2.0 2.0 gpm (7.6 L/min) flow restrictor

Finish Options / Modifications

Append appropriate -suffix to model number.

- STN Satin nickel
- ORB Oil Rubbed Bronze
- Polished chrome (standard finish)

Feature Highlights

- Single mode hand shower wand
- Flow rate 2.5 gpm (9.5 L/min)
Optional lower flow rates
- Polished chrome finish (standard)

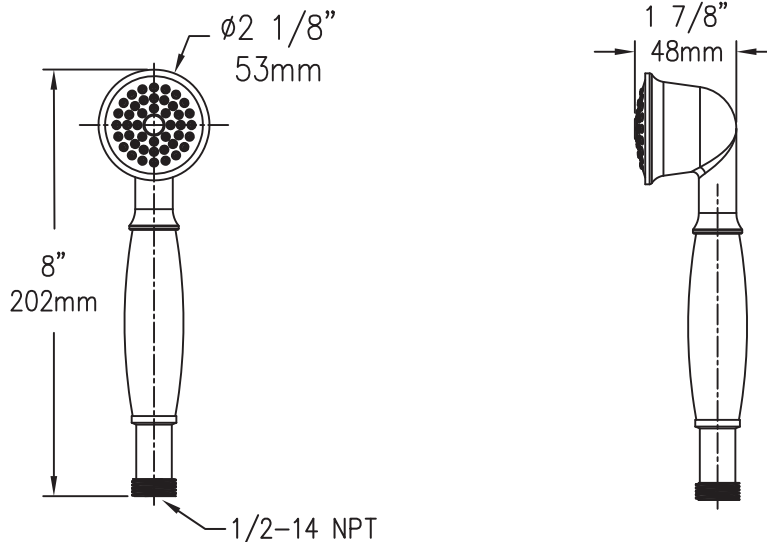
Standards / Certifications

ASME A112.18.1-2005/CSA B125.1-05

Warranty

- Limited Lifetime - to the original end purchaser in residential / consumer installations
- 5 years - for commercial installations

Dimensions Hand Shower Wand, 462W



Note: Dimensions subject to change without notice.

Symmons Industries, Inc. ■ 31 Brooks Drive ■ Braintree, MA 02184
(800) 796-6667, (781) 848-2250 ■ Fax (800) 961-9621, (781) 664-1300
Website: www.symmons.com ■ Email: customerservice@symmons.com

©2008, 2009 Symmons Industries, Inc. Printed in U.S.A. ■ 080609

