

Model 413TRR

# Hand Towel Bar 413TRR / 413TRL

## Specification Submittal

### Model Numbers

- 413TRR Right hand towel bar
- 413TRL Left hand towel bar

### Feature Highlights

- Metal construction
- Polished chrome finish on standard product
- Both right hand and left hand models available
- Mounting hardware included

### Finish Options

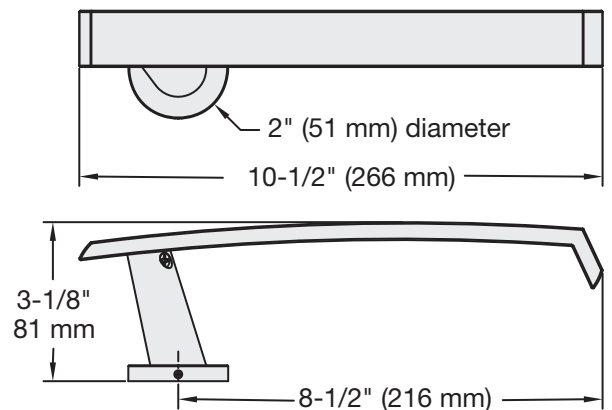
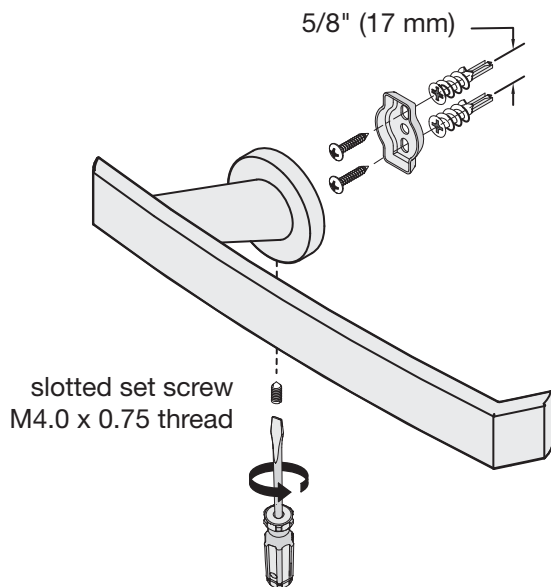
Append appropriate -suffix to model number.

- STN Satin nickel finish
- PNL Polished nickle finish
- Polished chrome (standard finish)

### Warranty

- Limited Lifetime - to the original end purchaser in residential / consumer installations.
- 5 years - for commercial installations

### Installation / Dimensions *Naru Hand Towel Bar, 413TRR*



**Note:** Dimensions subject to change without notice.

Symmons Industries, Inc. ■ 31 Brooks Drive ■ Braintree, MA 02184  
 (800) 796-6667, (781) 848-2250 ■ Fax (800) 961-9621, (781) 843-3849  
 Website: [www.symmons.com](http://www.symmons.com) ■ Email: [customerservice@symmons.com](mailto:customerservice@symmons.com)

