


Location:



Hand Shower 512HS, 512HSA Specification Submittal

Feature Highlights



- Single mode hand shower with wand #462W
- Wall connection and flange, 5 foot flexible metal hose with in-line vacuum breaker
- Cradle for mounting hand shower
- Standard flow rate is 2.5 gpm (9.5 L/min)
Optional lower flow rate restrictor available 
- Polished chrome finish (standard)

Model Numbers

- 512HS Hand Shower with cradle for mounting hand shower
- 512HSA Hand Shower, arm and cradle for mounting hand shower

Options / Modifications

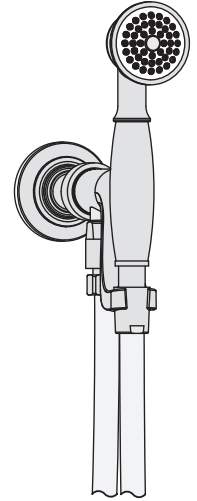
Append appropriate -suffix to model number.

-  -2.0 2.0 (7.6 L/min) flow rate restrictor
-  -1.5 1.5 (5.7 L/min) flow rate restrictor
- L/HS Hand Shower wand not included (includes hose, in-line vacuum breaker, wall connections and cradle only)
- R Vinyl hose in place of flexible metal hose
- 6 6 foot hose in place of standard 5 foot hose
- QD Quick-disconnect at hand shower wall connection

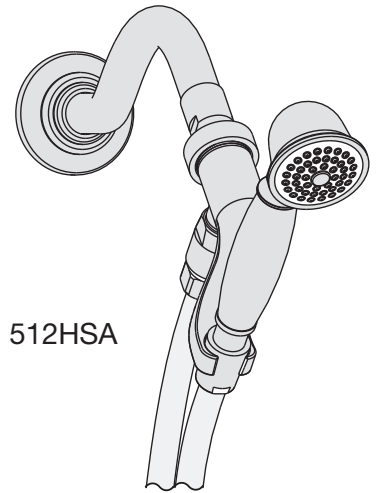
Finish Options / Modifications

Append appropriate -suffix to model number.

- STN Satin nickel
- ORB Oil Rubbed Bronze
- Polished chrome (standard finish)



Model, 512HS



Model, 512HSA

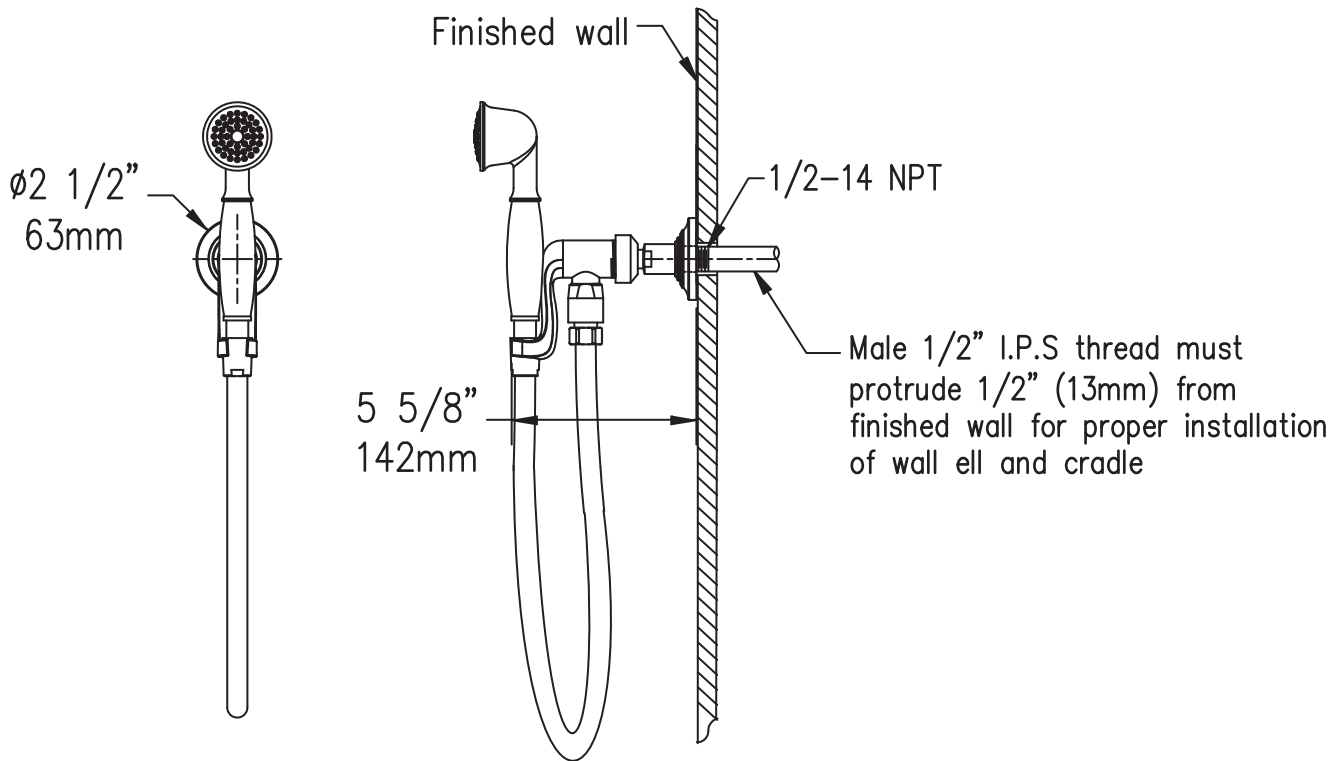
Standards / Certifications

ASME A112.18.1-2005/CSA B125.1-05

Warranty

- Limited Lifetime - to the original end purchaser in consumer installations.
- 5 years - for commercial installations

Dimensions Hand Shower, 512HS



Dimensions Hand Shower with arm, 512HSA

