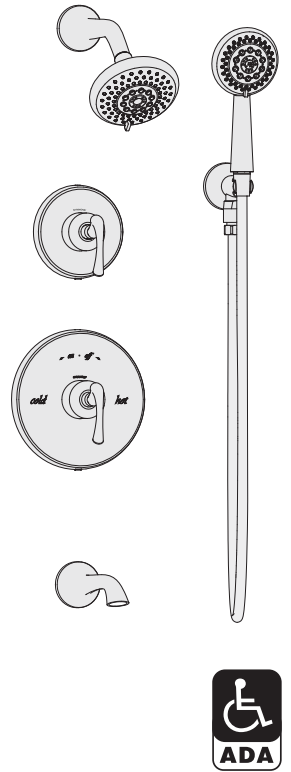


Location:

# SYMMONS® Ballina™

## Tub & Shower System with Hand Shower 5206 Specification Submittal



### Feature Highlights

- Symmons tub and shower system with lever handles.
- Symmons Temptrol® pressure balancing mixing valve with adjustable stop screw to limit handle turn.
- Separate triple outlet lever diverter valve
- Wall/hand shower with 5 foot flexible metal hose, in-line vacuum breaker, wall connection and cradle for hand shower mounting
- Shower head with mounting bracket
- Standard flow rate is 2.5 gpm (9.5 L/min) for both shower head and hand shower
- Tub spout
- Polished chrome finish

### Model Numbers

- 5206.....Tub and Shower System with Symmons Temptrol® pressure balancing mixing valve p/n 4000-BODY and triple outlet diverter p/n 4-460E-BODY
- 5206-TRM.....Trim only, valve and diverter must be ordered separately
- 4000-BODY.....Symmons Temptrol® pressure balancing mixing valve without trim
- 4000-X-BODY.... Symmons Temptrol® pressure balancing mixing valve without trim. Valve includes integral service stops to allow water shut-off for service.
- 4-460E-BODY.... Symmons triple outlet diverter valve without trim

### Finish Options / Modifications

Append appropriate -suffix to model number.

- STN Satin nickel
- BBZ Brushed Bronze
- Polished chrome (standard finish)

### Options / Modifications

Append appropriate -suffix to model number.

- IPS 1/2 inch female IPS connections on Symmons Temptrol® mixing valve
- X Symmons Temptrol® pressure balancing mixing valve includes integral service stops to allow water shut-off for service, p/n 4000-X-BODY. (Option only applies when ordering model 5206.)
- 2.0 2.0 (7.6 L/min) Flow rate restrictor
- 1.5 1.5 (5.7 L/min) Flow rate restrictor

### Standards / Certifications

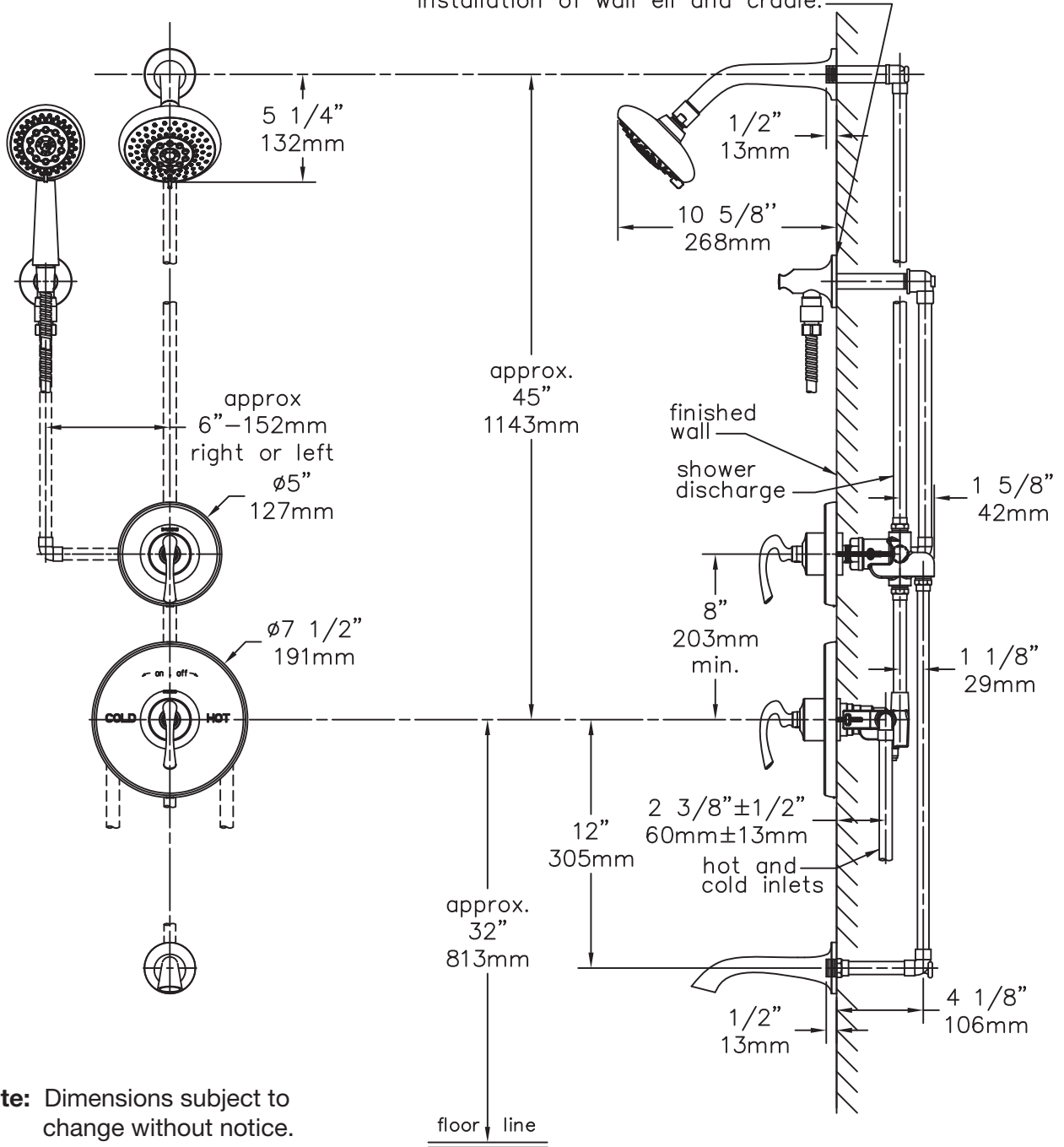
ASME A112.18.1-2005/CSA B125.1-05

### Warranty

- Limited Lifetime - to the original end purchaser in consumer installations.
- 5 years - for commercial installations

# Dimensions *Ballina Tub & Shower System with Hand Shower, 5206*

Male 1/2" I.P.S. thread must protrude 1/2" (13mm) from finished wall for proper installation of wall ell and cradle.



Symmons Industries, Inc. ■ 31 Brooks Drive ■ Braintree, MA 02184  
 (800) 796-6667, (781) 848-2250 ■ Fax (800) 961-9621, (781) 664-1300  
 Website: [www.symmons.com](http://www.symmons.com) ■ Email: [customerservice@symmons.com](mailto:customerservice@symmons.com)

©2009 Symmons Industries, Inc. Printed in U.S.A. ■ 051309 ■ ZV-814

**SYMMONS**<sup>®</sup>  
 the smart choice™