

# SYMMETRIX<sup>®</sup>

## Two Handle Lavatory Faucet

- S-243-2-G-LAM: With grid strainer drain assembly
- S-243-2-LAM: With lift rod and pop-up drain assembly
- S-243-1-LAM: With lift rod only
- S-243-0-LAM: Faucet only (no lift rod hole)
- S-243-LAM: Faucet only

Symmetrix Two Handle Widespread Lavatory Faucet with quarter turn ceramic control components, metal finish insert lever handles, lift-rod and pop-up drain assembly. Aerator, 1/2" IPS shanks, 8" to 16" centers, metal construction, polished chrome finish.

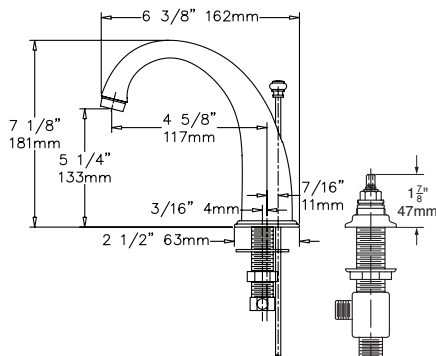
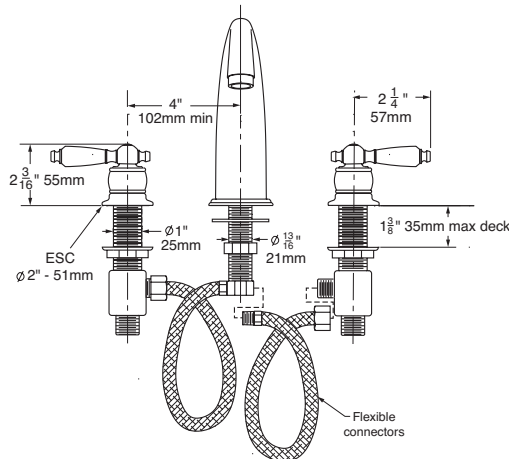
### Modifications:

#### Add:

- Suffix LPO: White insert lever handles
- Suffix LCF: Clear faceted insert lever handles
- Suffix FR: 0.5 gpm flow restrictor spray outlet (vandal resistant)
- Suffix VP: Vandal resistant aerator
- Suffix OFG: Offset grid strainer
- Suffix BRS: Radiance<sup>®</sup> polished brass finish
- Suffix PCB: Polished chrome and Radiance<sup>®</sup> polished brass finish
- Suffix STN: Radiance<sup>®</sup> satin finish



**SYMMONS PRODUCTS MEET  
ANSI A112.18.1M, EPA '92  
AND ALL KNOWN FLOW RATE  
REQUIREMENTS.  
Kitchen and Lavatory Faucets  
2.2 GPM (8.3 L/min)**



### Job/Location

.....  
 .....

### Engineer

.....  
 .....

### Contractor

.....  
 .....

For ADA compliance (Americans with Disabilities Act) consult ADAAG or your state regulations for proper product choice and mounting locations.

Symmons Industries, Inc. ■ 31 Brooks Drive ■ Braintree, MA 02184  
 (800) 796-6667, (781) 848-2250 ■ Fax (800) 961-9621, (781) 843-3849  
 Website: [www.symmons.com](http://www.symmons.com) ■ Email: [customerservice@symmons.com](mailto:customerservice@symmons.com)

