

Forza™

Kitchen Faucet S-2640 with pull-out spout



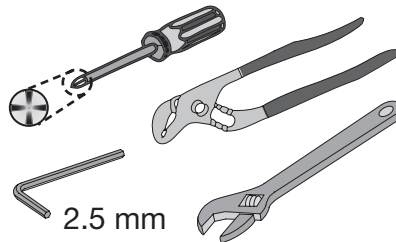
Installation and Service Instructions

Model Numbers

S-2640, S-2640-xxx


Note: xxx identifies location where alternative finish code is inserted when applicable.

Tools & Materials



Need Help?

Contact Symmons customer service at (800) 796-6667, (781) 848-2250
Email: customerservice@symmons.com
Monday - Friday 8:00 am - 7:30 pm EST

 Please check Symmons website for technical help, the latest product information and warranty policy.
www.symmons.com/service

Quick Install Guide



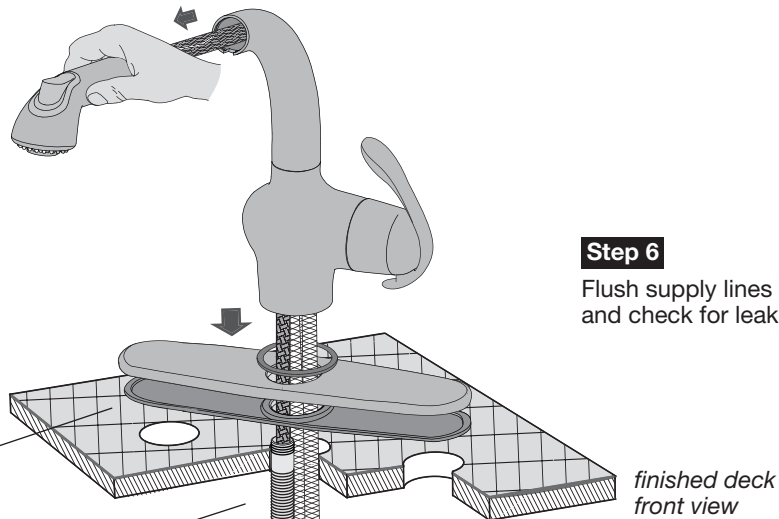
Spray
on / off

(optional) **Step 1**
Place deck plate in position
typically used to cover holes

Step 2
Attach faucet assembly

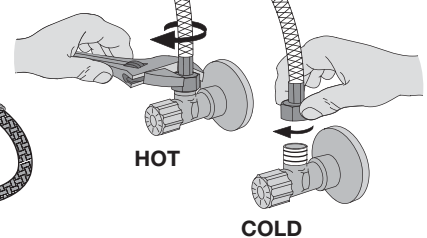
Step 3
Connect pull-out spout hose

Step 4
Attach hose counterweight



Step 6
Flush supply lines
and check for leaks

Step 5
Connect water supply lines



HOT

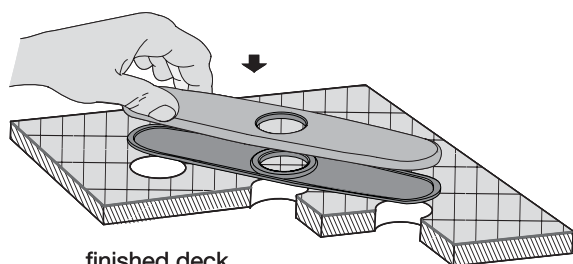
COLD

Installation Instructions

Caution: If replacing an older faucet ensure water supply is turned OFF before removing and then turn faucet handles ON to relieve water pressure.

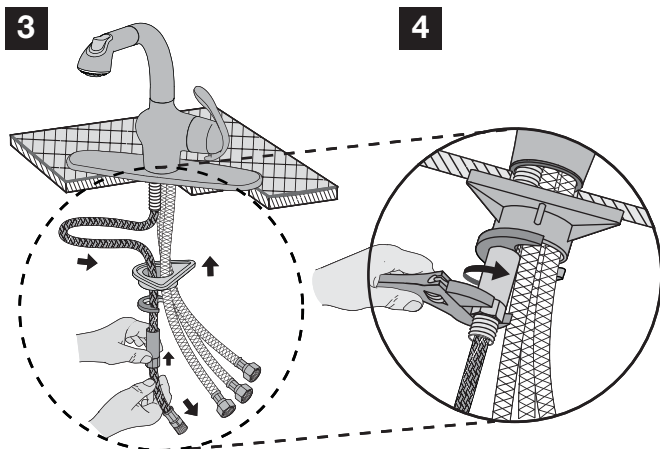
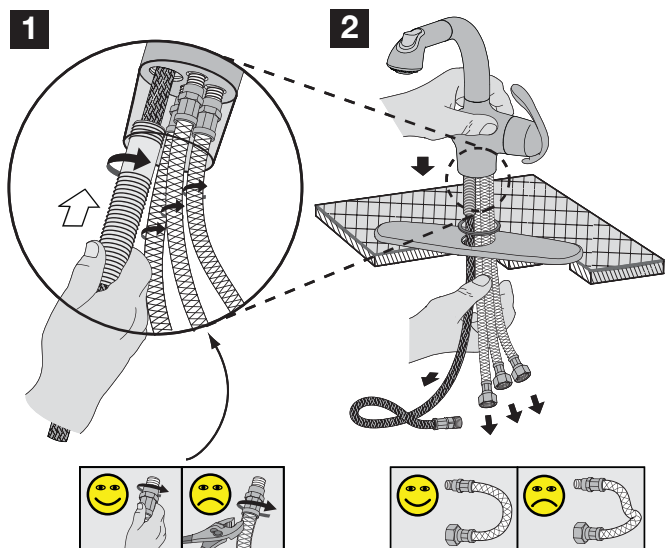
Step 1 Place deck plate over mounting hole

Typically used to cover existing holes when faucet is being replaced. Install as required.

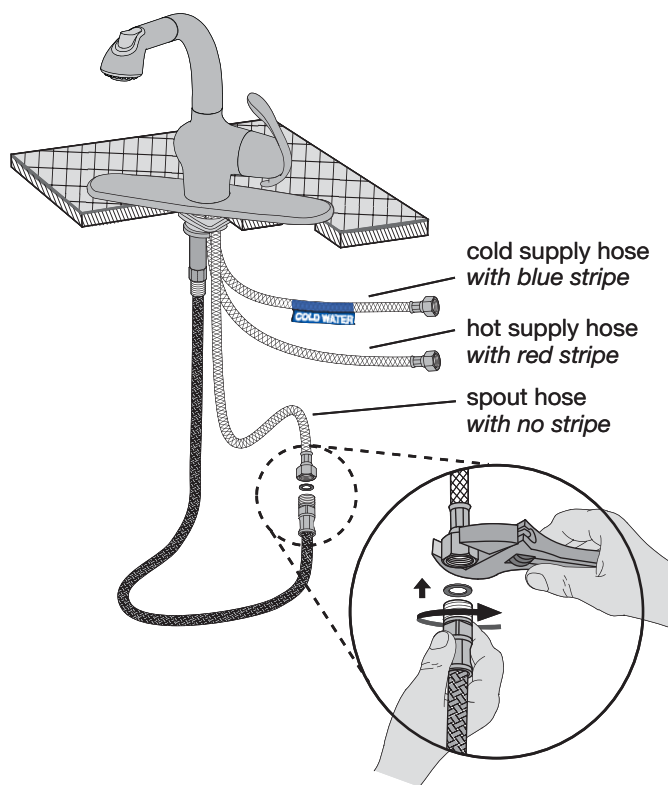


finished deck
front view

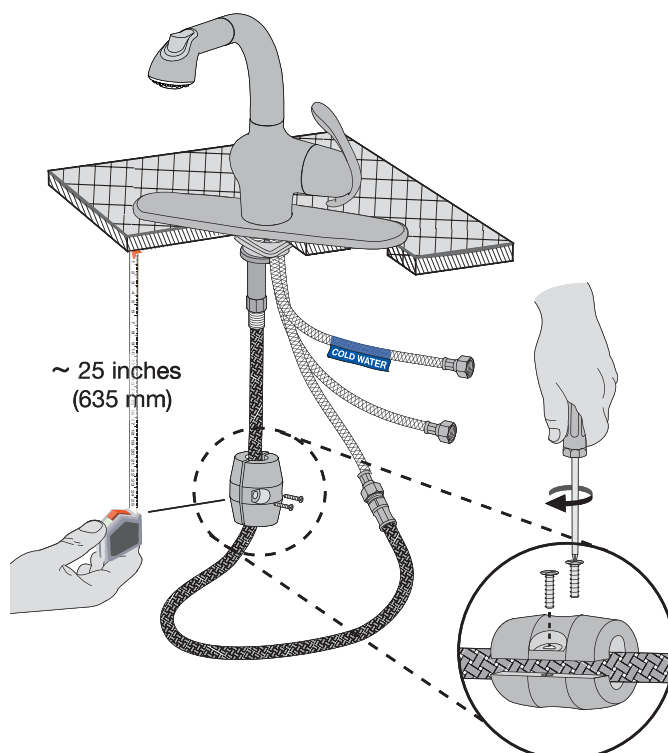
Step 2 Attach faucet to deck



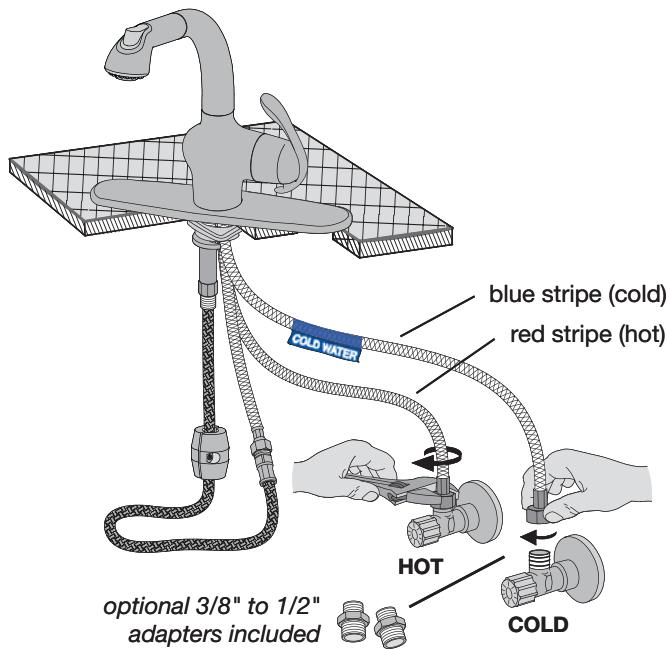
Step 3 Connect pull-out spout hose



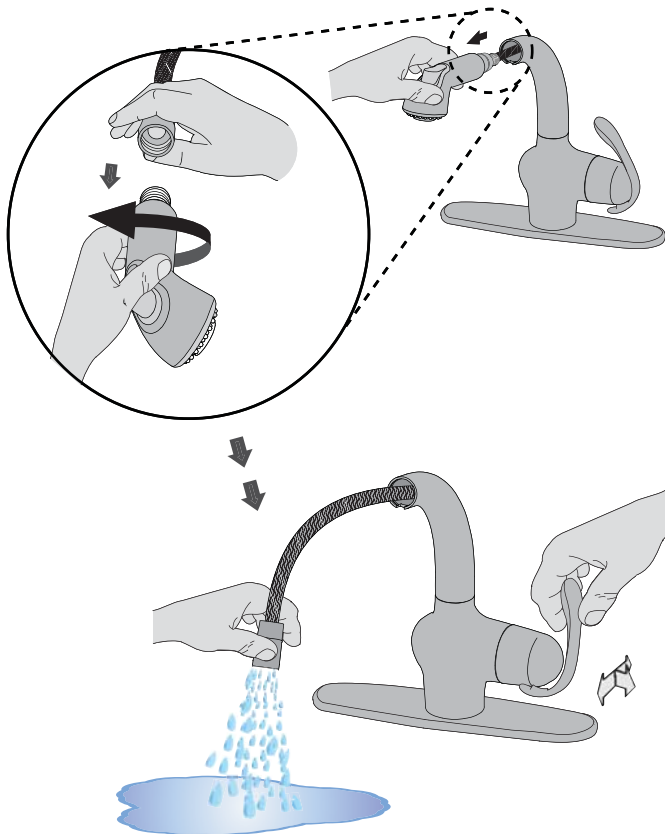
Step 4 Attach counterweight



Step 5 Connect water supply lines



Step 6 Flush supply lines and check for leaks

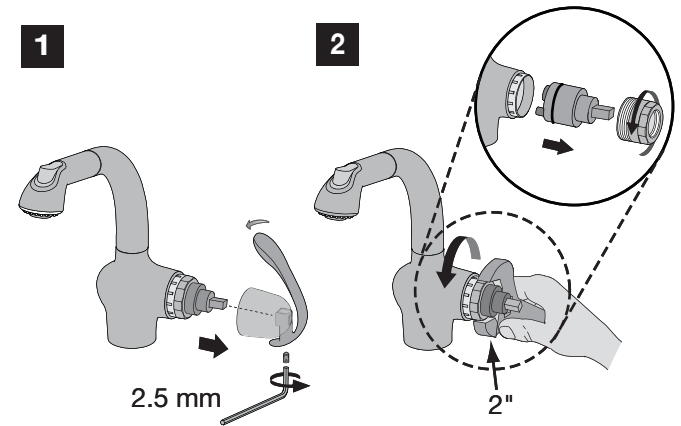


Care of faucet finish

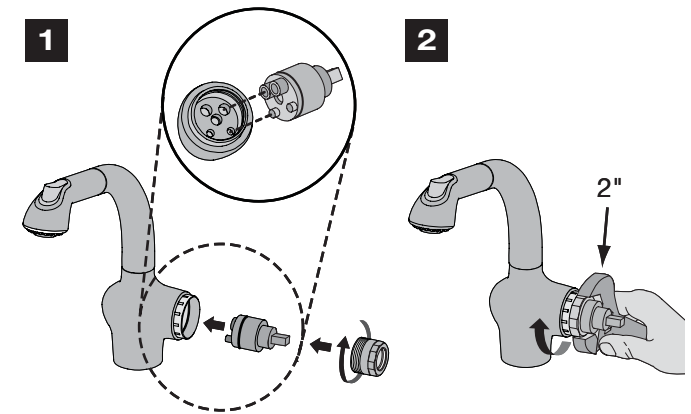
Clean finish area by using mild soap and water or non-abrasive cleaner and then rinse immediately. A non-abrasive wax may be used to preserve finish area.

Valve cartridge replacement

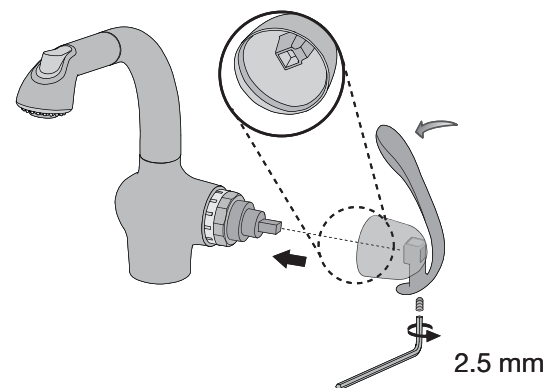
Removing handle, collar and cartridge



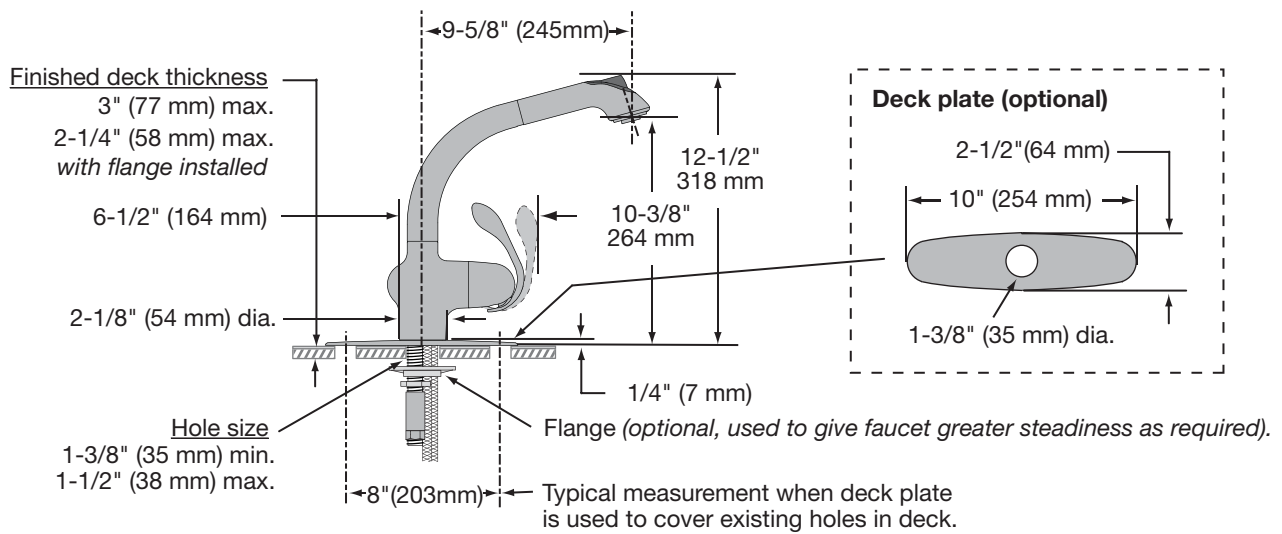
Replacing cartridge



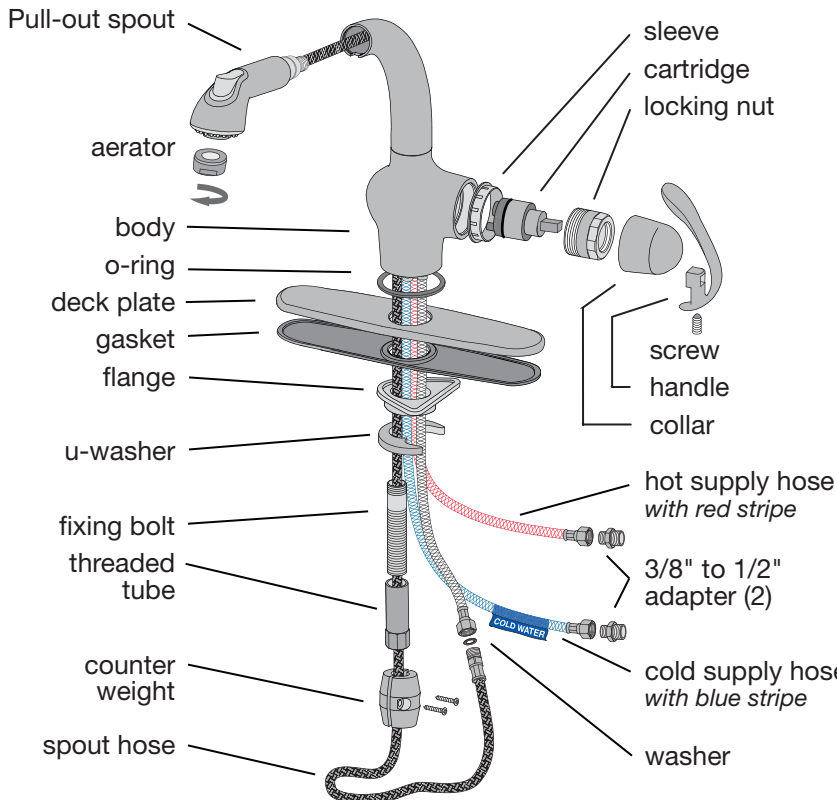
Replace collar and handle



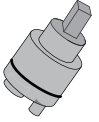
Dimensions: Forza Kitchen Faucet S-2640 with pull-out spout



Parts Assembly Forza Kitchen Faucet S-2640



Replacement Parts

Part Number	Item
KN-269	valve cartridge 

Ordering replacement parts:
 Symmons customer service: (800) 796-6667, (781) 848-2250 M-F 8:00 am - 7:30 pm EST
 Symmons distributors: www.symmons.com