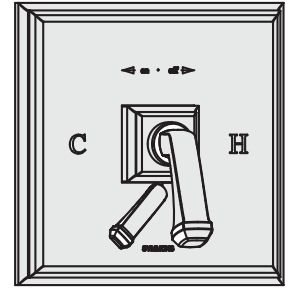


Location:

# SYMMONS® Oxford™

## Tub and Shower Valve System S-4200TS Specification Submittal



### Feature Highlights

- Symmons tub and shower valve system with lever handles.
- Symmons Temptrol® pressure balancing mixing valve with adjustable stop screw to limit handle turn.
- Secondary integral diverter control handle
- Polished chrome finish

### Model Numbers

- S-4200TS.....Tub and Shower Valve System with Symmons Temptrol® pressure balancing mixing valve p/n S-4002-BODY
- S-4200-TRM..... Trim only, valve must be ordered separately
- S-4002-BODY..... Symmons Temptrol® pressure balancing mixing valve without trim
- S-4002-X-BODY....Symmons Temptrol® pressure balancing mixing valve without trim. Valve includes integral service stops to allow water shut-off for service.

### Warranty

- Limited Lifetime - to the original end purchaser in consumer installations.
- 5 years - for commercial installations

### Options / Modifications

*Append appropriate -suffix to model number.*

- IPS 1/2 inch female IPS connections on Symmons Temptrol® mixing valve
- X Symmons Temptrol® pressure balancing mixing valve includes integral service stops to allow water shut-off for service, p/n S-4002-X-BODY. (Option only applies when ordering model S-4201TS.)

### Finish Options / Modifications

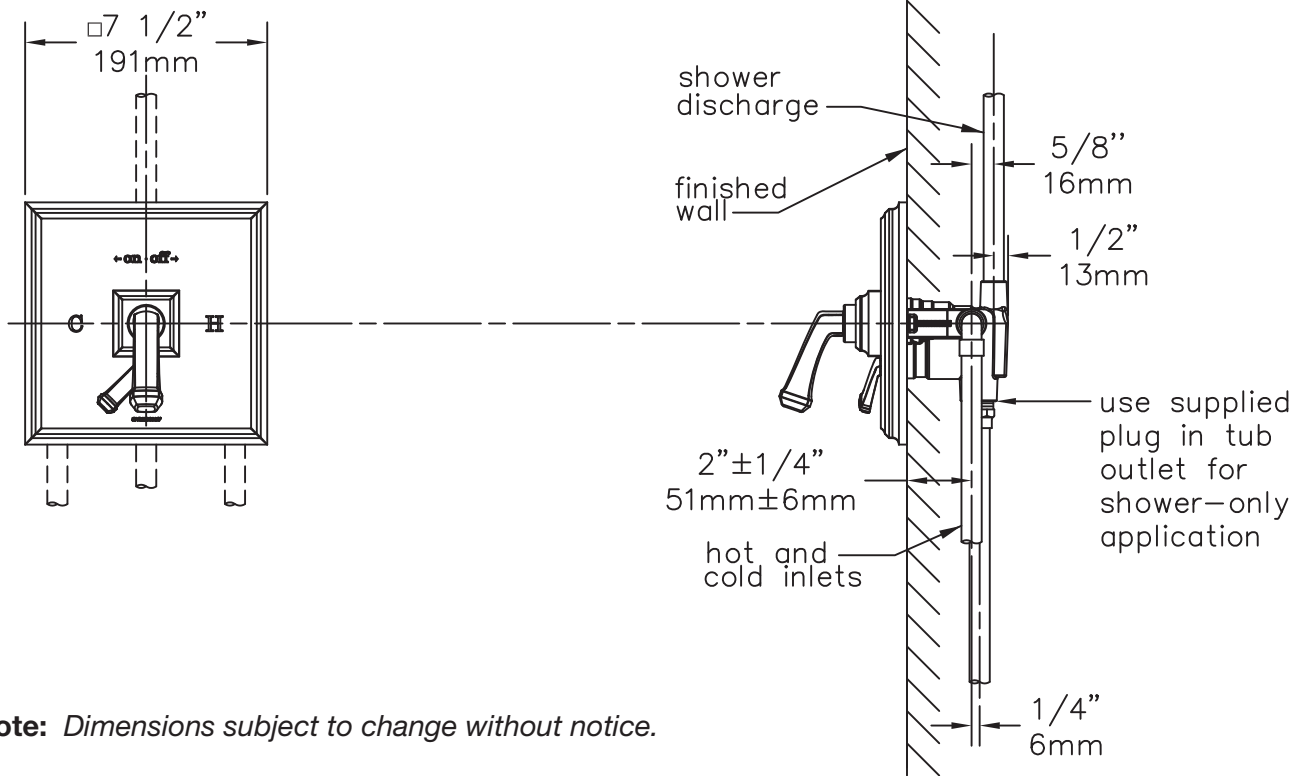
*Append appropriate -suffix to model number.*

- STN Satin nickel
- ORB Oil Rubbed Bronze
  - Polished chrome (standard finish)

### Standards / Certifications

ASME A112.18.1-2005/CSA B125.1-05

**Dimensions** *Oxford Tub and Shower Valve System, S-4200TS*



**Note:** *Dimensions subject to change without notice.*