

Single Post Metering Faucet

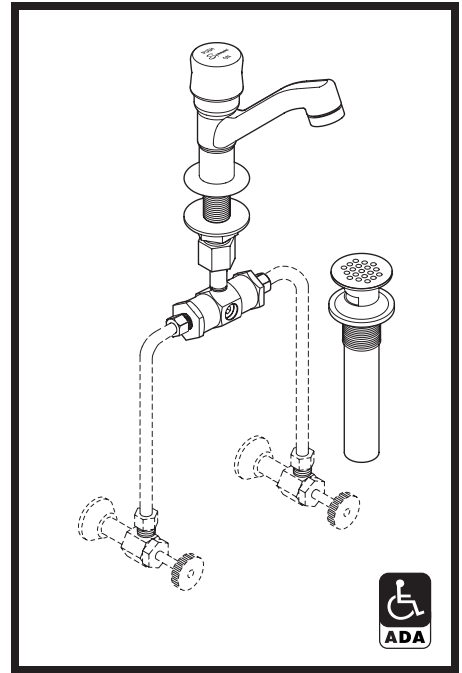
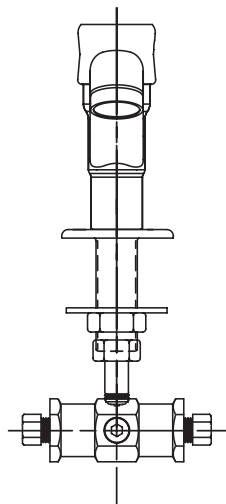
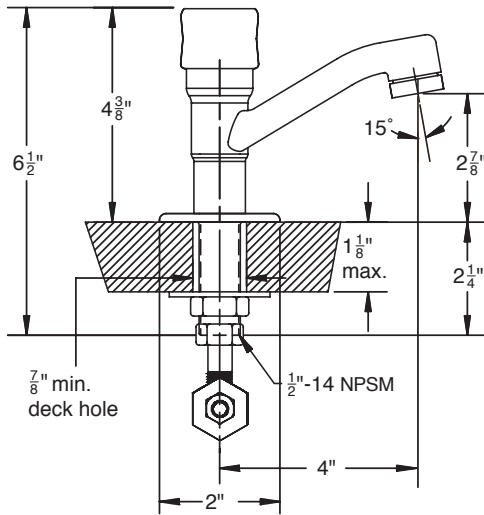
- S-73-G: With grid strainer drain assembly
- S-73: Faucet only

Symmons Single Post Metering Faucet supplied with adjustable mechanical mixing valve for tempered water supply. Adjustable time limit stop to adjust flow time. Vandal resistant 0.5 gpm spray outlet.

Modifications:

Add:

- Suffix A: Vandal resistant aerator in place of 0.5 gpm spray outlet (1.25 GPM at 50 PSI)
- Suffix NA: Non-aerated laminar flow outlet
- Suffix QC: Quick closing feature
- Suffix OFG: Offset grid strainer



**SYMMONS PRODUCTS MEET
ANSI A112.18.1M, EPA '92
AND ALL KNOWN FLOW RATE
REQUIREMENTS.
Metering Faucets
0.25 gallons per cycle (1.0 L/cycle)**

Job/Location

.....

Engineer

.....

Contractor

.....

For ADA compliance (Americans with Disabilities Act) consult ADAAG or your state regulations for proper product choice and mounting locations.

Symmons Industries, Inc. ■ 31 Brooks Drive ■ Braintree, MA 02184
 (800) 796-6667, (781) 848-2250 ■ Fax (800) 961-9621, (781) 843-3849
 Website: www.symmons.com ■ Email: customerservice@symmons.com

