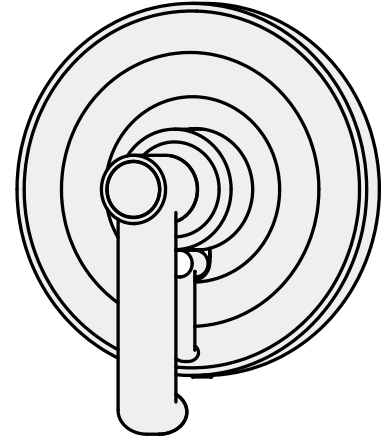


Location:



SYMMONS® Museo™
Tub-Shower Valve System S-5300TS
Specification Submittal



Feature Highlights

- Symmons Tub-Shower Valve System with lever handles
- Symmons Temptrol® pressure-balancing mixing valve with adjustable stop screw to limit handle turn
- Secondary integral diverter control handle
- Polished chrome finish

Model Numbers

- S-5300TS
Tub-Shower Valve System with Symmons Temptrol® pressure-balancing mixing valve p/n S-4002-BODY
- S-5300TS-TRM
Trim only, mixing valve ordered separately
- S-4002-BODY
Symmons Temptrol® mixing valve without trim
- S-4002-X-BODY
Symmons Temptrol® mixing valve without trim. Valve includes integral service stops to allow water shut-off for service

Finish Options / Modifications

Append appropriate -suffix to model number

- STN Satin nickel
- BLK Polished graphite
- Polished chrome (standard finish)

Options / Modifications

Append appropriate -suffix to model number

- IPS 1/2 inch female IPS connections on Symmons Temptrol® mixing valve
- X Symmons Temptrol® mixing valve includes integral service stops to allow water shut-off for service, p/n S-4002-X-BODY. (Option only applies when ordering model S-5300TS)
- REV Reverse coring in valve for back to back installations; hot on right, cold on left, (available with -X integral stops only)

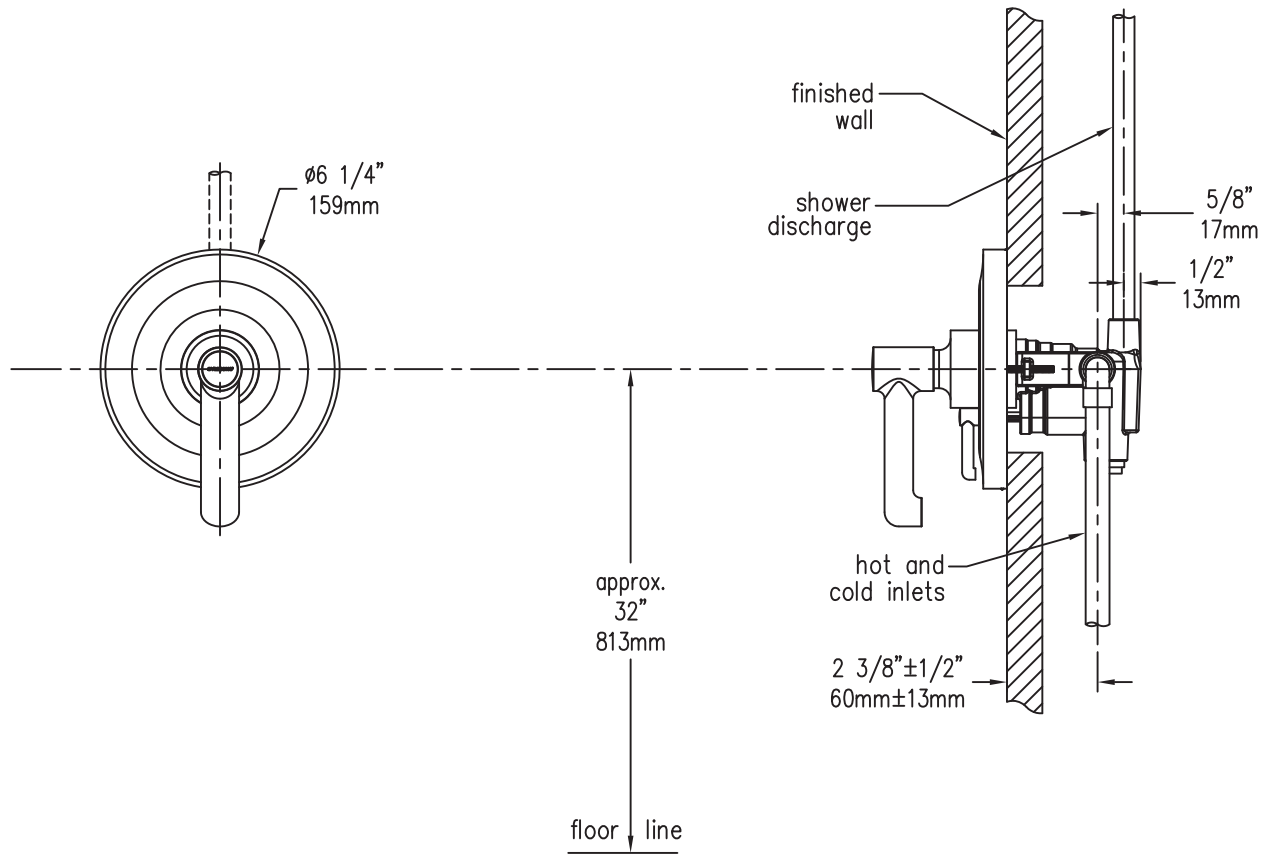
Standards / Certifications

ASME A112.18.1-2005/CSA B125.1-05

Warranty

- Limited Lifetime - to the original end purchaser in consumer installations
- 5 years - for commercial installations

Dimensions *Museo Tub-Shower Valve System, S-5300TS*



Note: *Dimensions subject to change without notice*