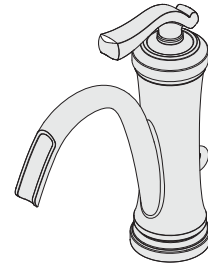


Location:

# SYMMONS® Winslet™

## Lavatory Faucet SLS-5112

### Specification Submittal



#### Model Numbers

- SLS-5112 Single handle Lavatory Faucet with lift rod and pop-up drain assembly

#### Finish Options / Modifications

Append appropriate -suffix to model number.

- STN Satin nickel
- ORB Oil Rubbed Bronze
- Polished chrome (standard finish)

#### Options / Modifications

Append appropriate -suffix to model number.

- 1.5 1.5 (5.7 L/min) Flow rate restrictor
- 1.0 1.0 (3.8 L/min) Flow rate restrictor

#### Feature Highlights

- Single handle lavatory faucet with quarter turn ceramic components.
- Single hole mounting, braided supply hoses
- Pop-up drain and lift rod assembly
- Aerator with 2.2 gpm flow rate (8.3 L/min)
- Metal construction, polished chrome finish

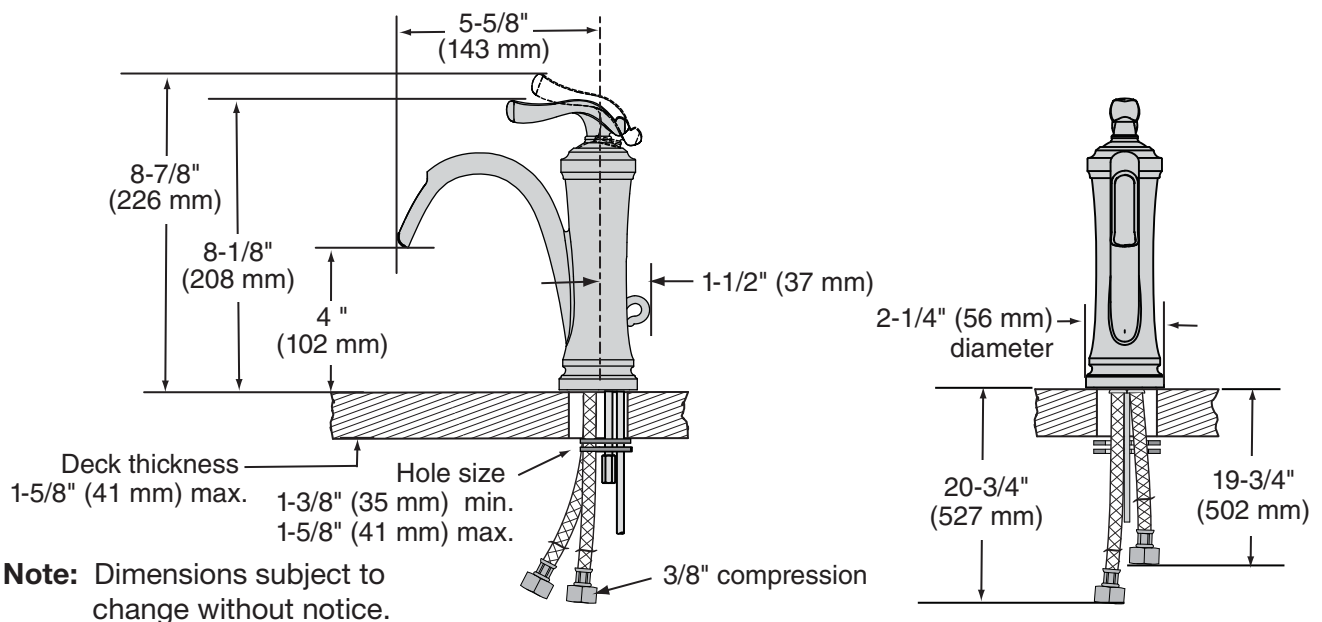
#### Standards / Certifications

ASME A112.18.1-2005/CSA B125.1-05

#### Warranty

- Limited Lifetime - to the original end purchaser in consumer installations.
- 5 years - for commercial installations

#### Dimensions Winslet Lavatory Faucet, SLS-5112



Symmons Industries, Inc. ■ 31 Brooks Drive ■ Braintree, MA 02184  
(800) 796-6667, (781) 848-2250 ■ Fax (800) 961-9621, (781) 664-1300  
Website: [www.symmons.com](http://www.symmons.com) ■ Email: [customerservice@symmons.com](mailto:customerservice@symmons.com)

©2009 Symmons Industries, Inc. Printed in U.S.A. ■ 050409 ■ ZV-832

**SYMMONS®**  
the smart choice™